

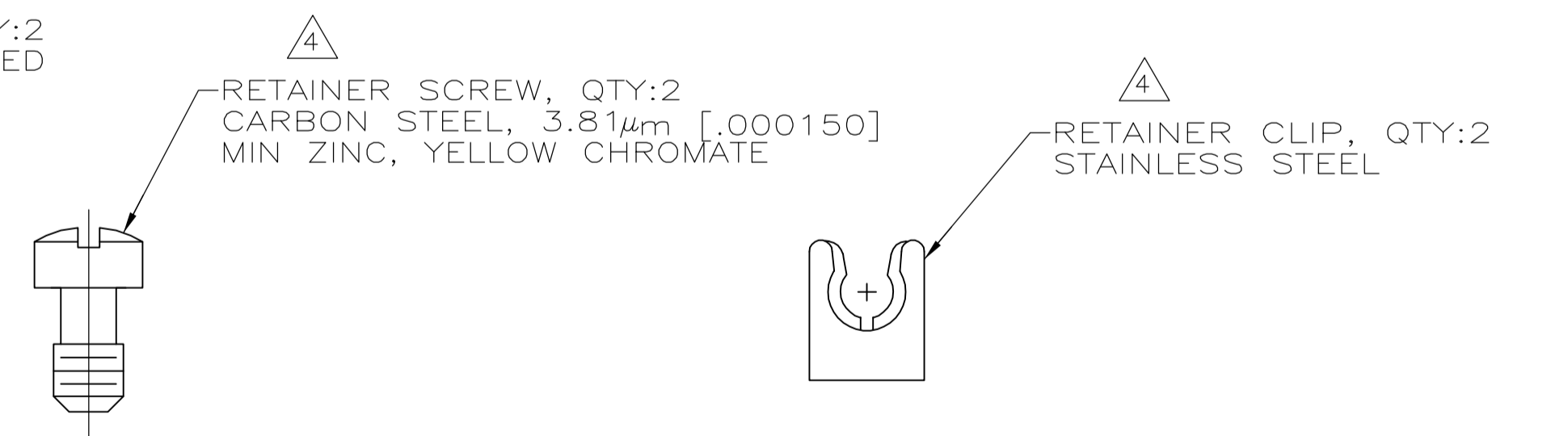
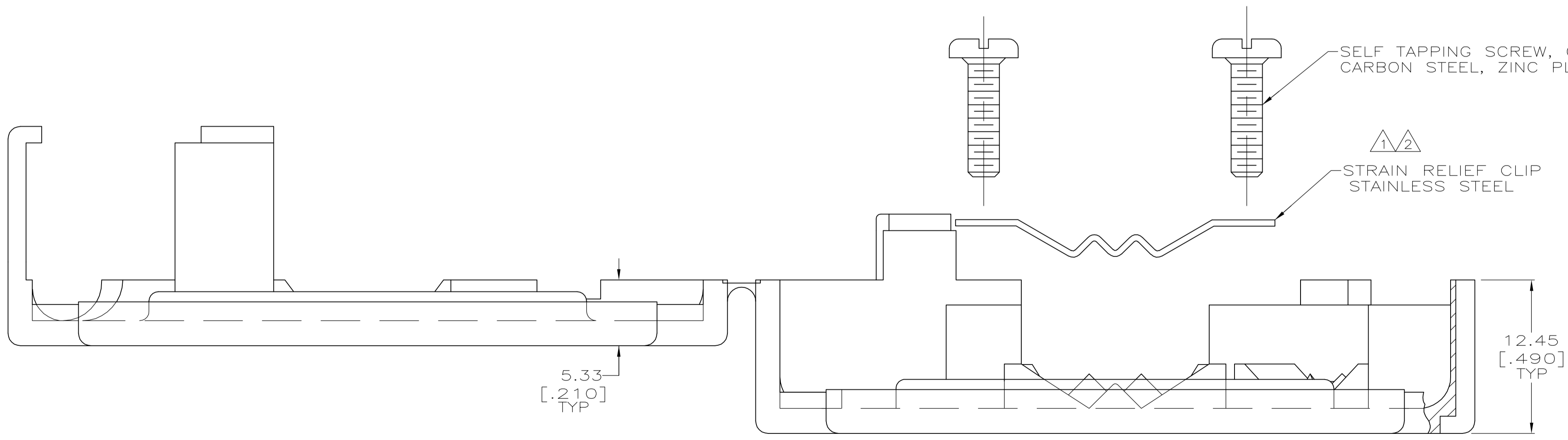
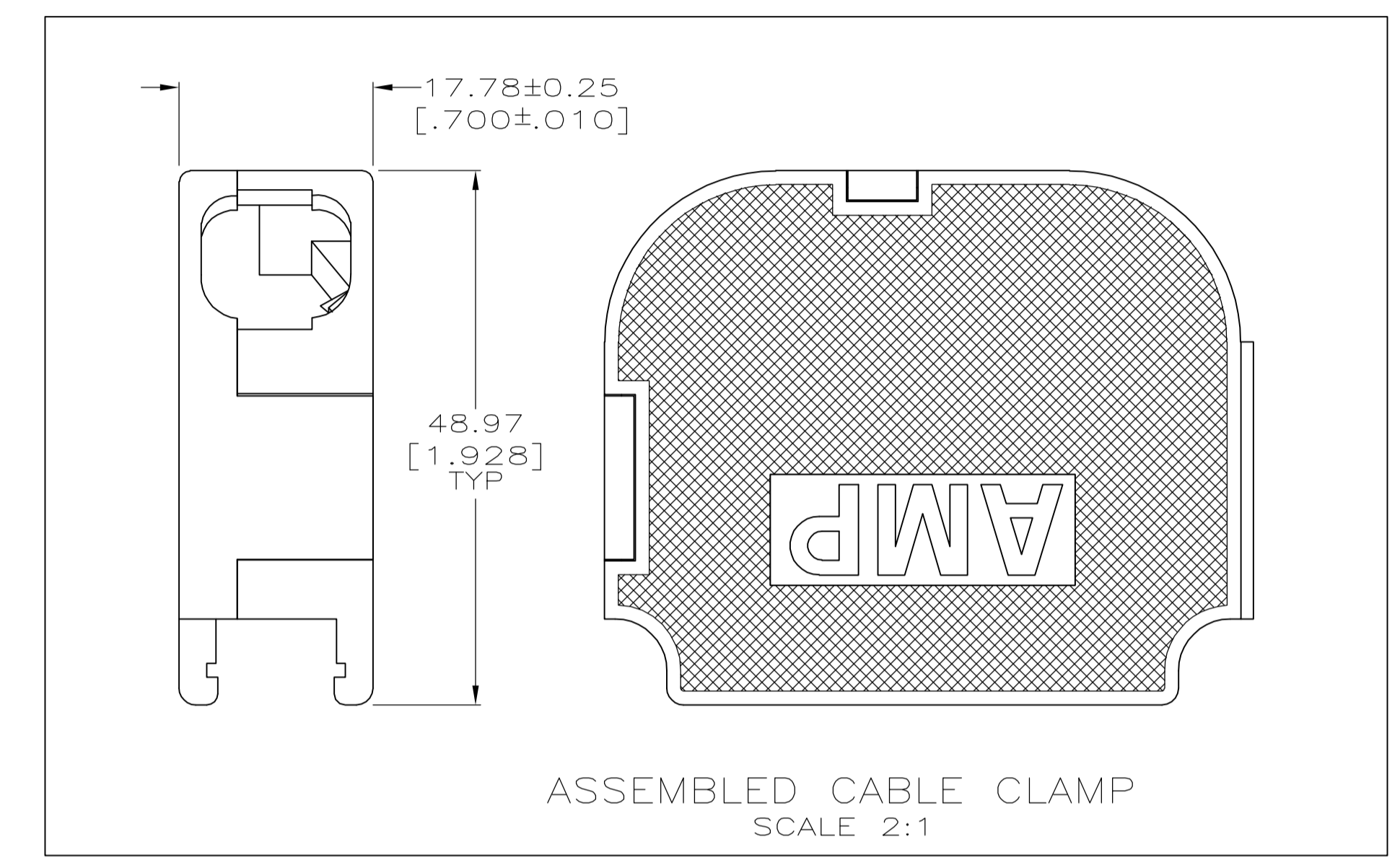
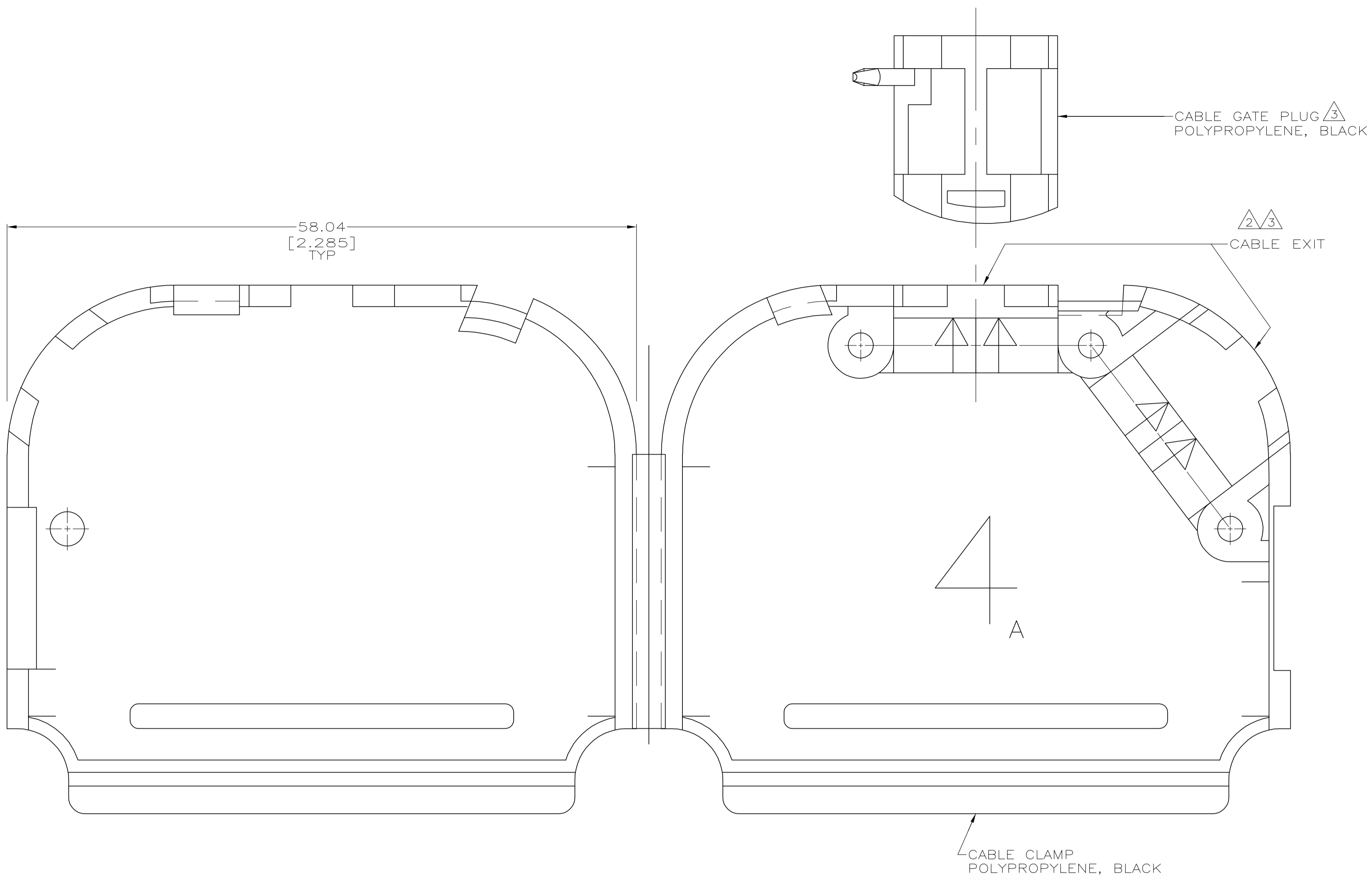
Distributed by:

JAMECO[®]
ELECTRONICS

www.Jameco.com ♦ 1-800-831-4242

The content and copyrights of the attached
material are the property of its owner.

Jameco Part Number 758671



- ⚠️ CLIP CAN BE INSTALLED AS SHOWN FOR SMALL DIAMETER CABLE, OR REVERSED FOR LARGE DIAMETER CABLE.
- ⚠️ CLIP MAY BE USED AT EITHER CABLE EXIT.
- ⚠️ CABLE GATE PLUG TO BE PLACED IN CABLE EXIT NOT BEING USED.
- ⚠️ RETAINER SCREWS AND RETAINER CLIPS PROVIDED WITH THIS KIT FOR USE WITH METAL SHELL CONNECTORS.
- 5. CABLE DIAMETER RANGE = 6.35-13.97 [.250-.550].

OBSOLETE	SMALL PACK	749916-3
	UNIT KIT	749916-2
OBSOLETE	BULK PACKED	749916-1
	PACKAGING	PART NUMBER

THIS DRAWING IS A CONTROLLED DOCUMENT.		DIN B MCMASTER 05MAR04	tyco Electronics	Tyco Electronics Corporation Harrisburg, PA 17105-3608	
DIMENSIONS: INCHES		CHK C ROHDE 05MAR04		NAME	
TOLERANCES UNLESS OTHERWISE SPECIFIED:		APVD M WALMSLEY 05MAR04	CABLE CLAMP KIT, UNASSEMBLED, SIZE 4, QUIK-SNAP, 120° & 180° CABLE EXIT, AMPLIMITE®		
0 PLC ± -		PRODUCT SPEC	SIZE	CAGE CODE	DRAWING NO
1 PLC ± -		APPLICATION SPEC	A1	00779	749916
2 PLC ± 0.13 [.005]		WEIGHT	CUSTOMER DRAWING		
3 PLC ± -		SCALE	4:1		
4 PLC ± -		SHEET	1 OF 1		
ANGLES ± -		REV	K		