

Distributed by:

**JAMECO**<sup>®</sup>  
ELECTRONICS

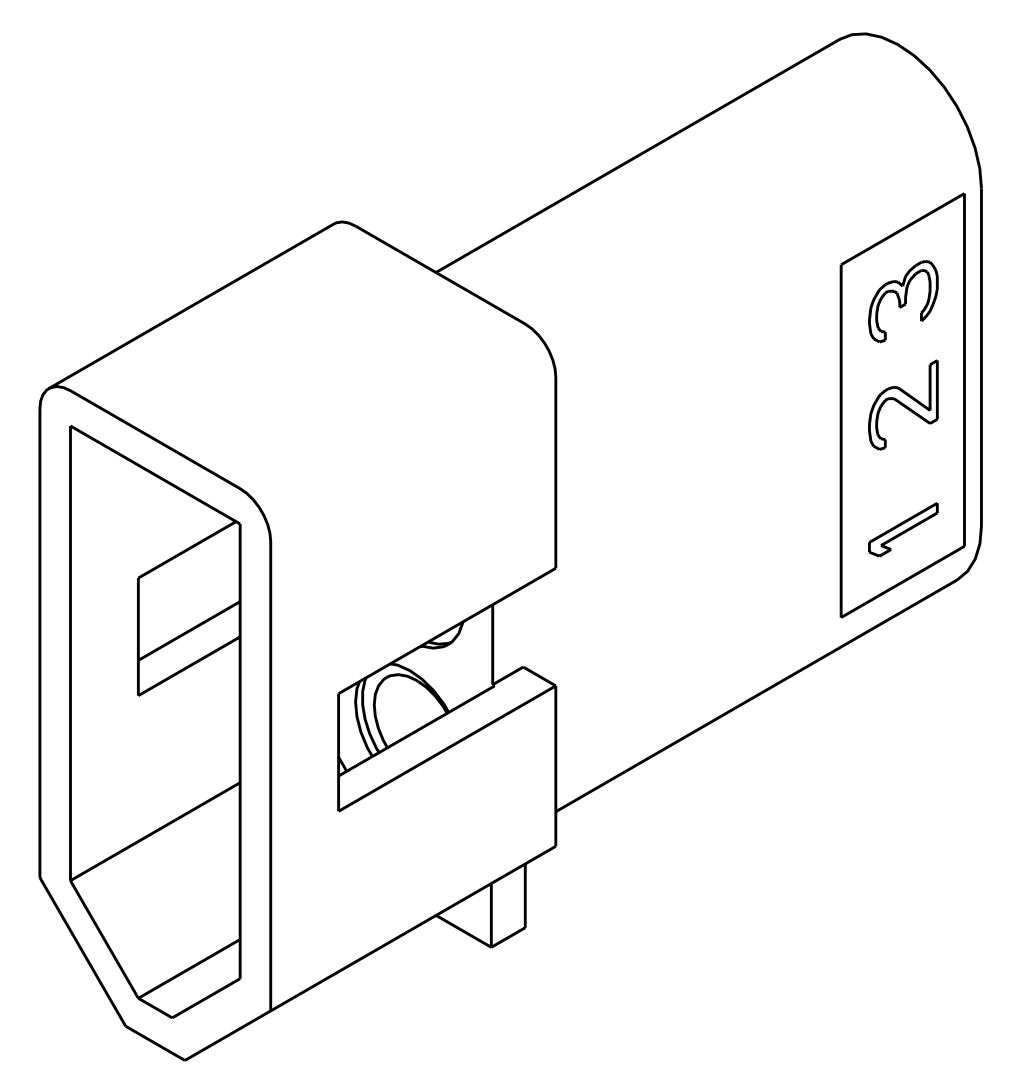
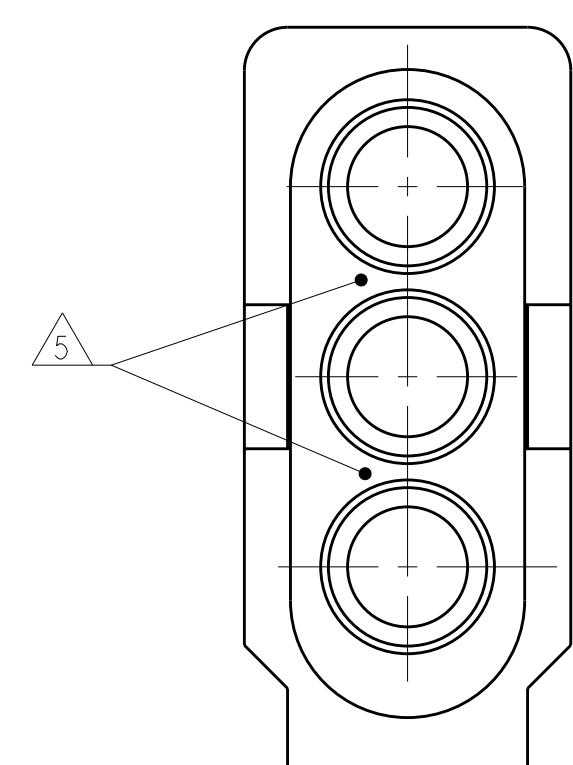
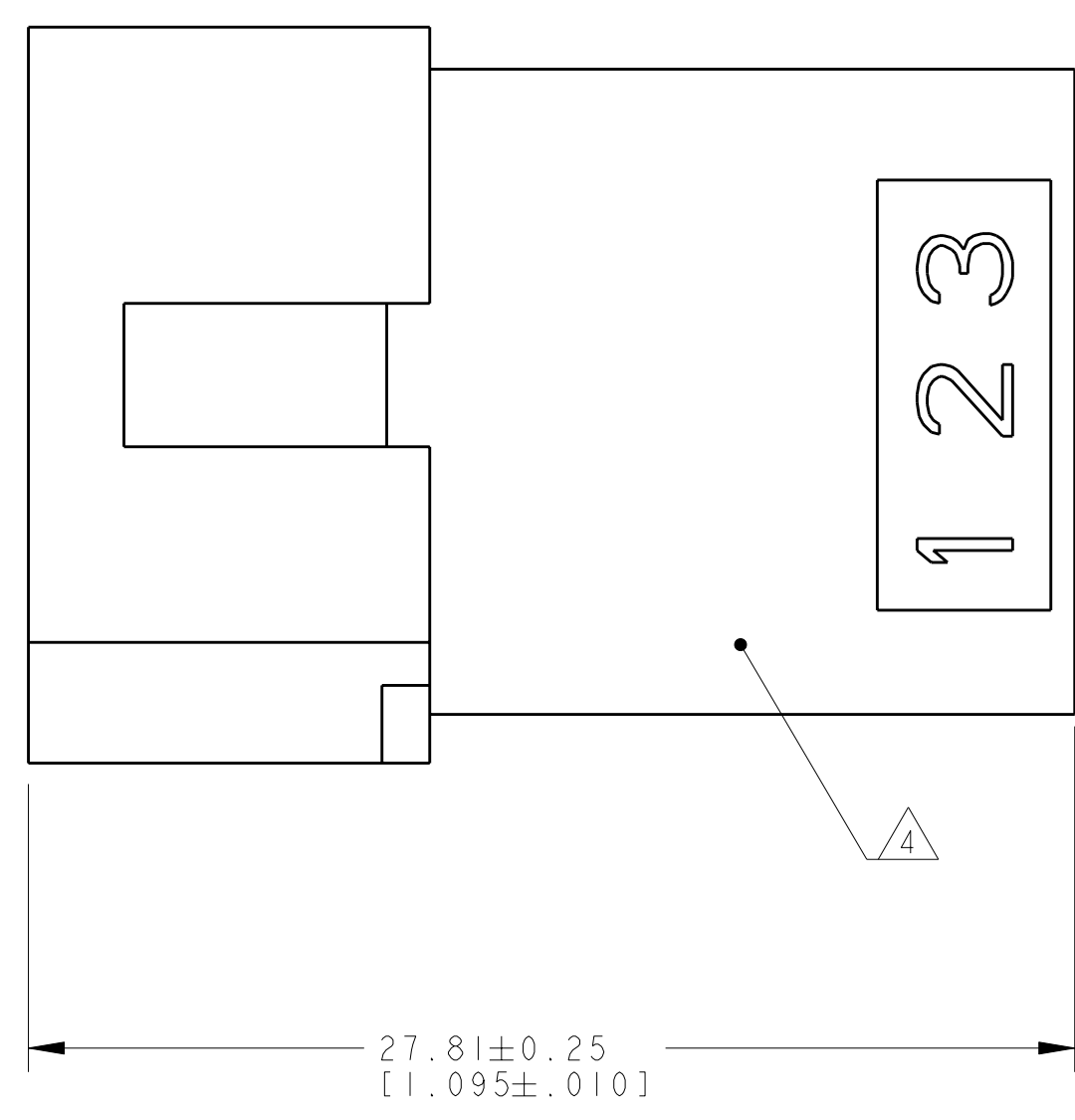
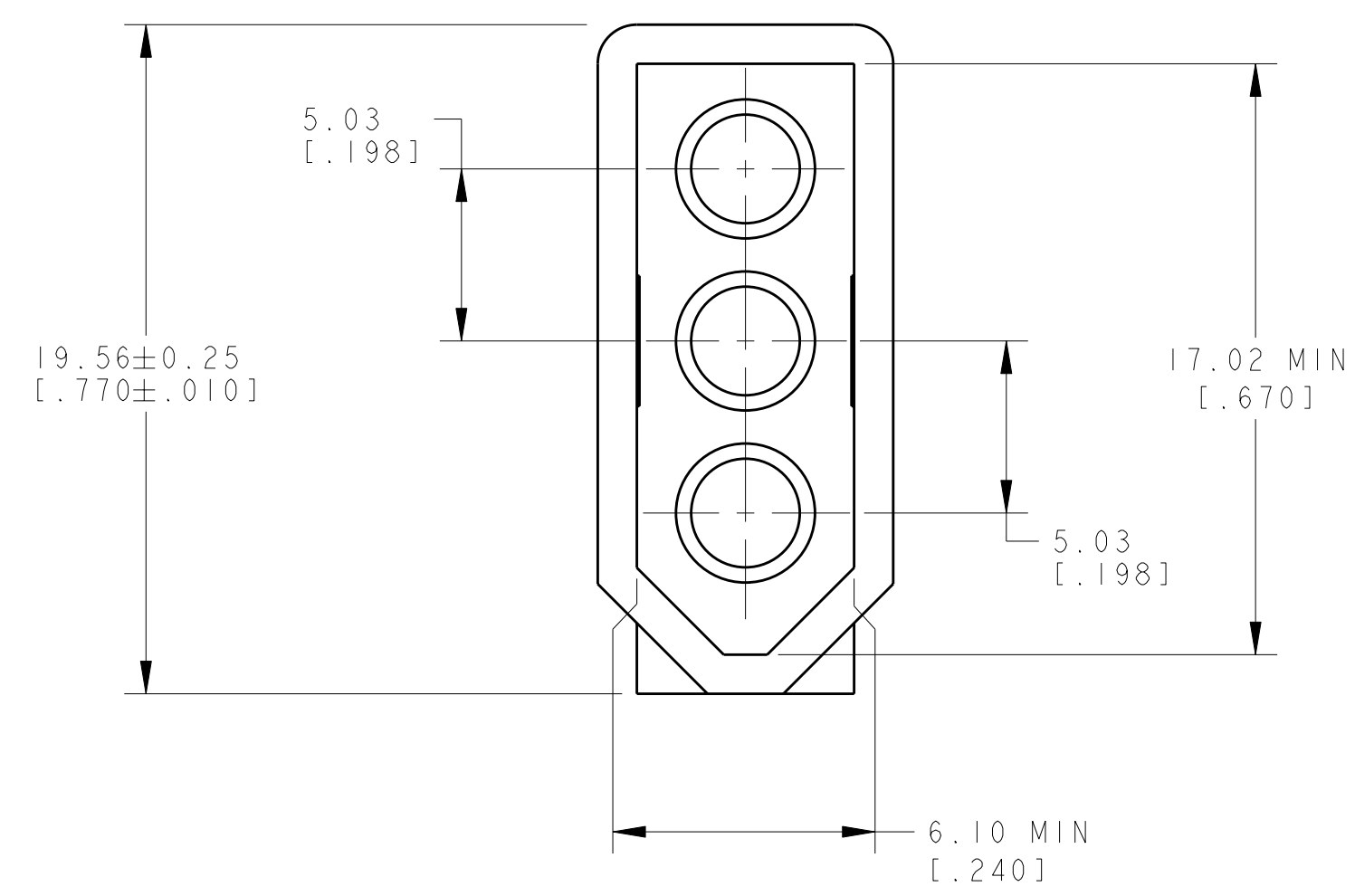
**www.Jameco.com ♦ 1-800-831-4242**

The content and copyrights of the attached  
material are the property of its owner.

Jameco Part Number 758794

LOC	DIST	REVISIONS			
		REV	DATE	BY	CHKD
CM	00	M	05AUG04	KW	DC
		MI	19JUL06	KW	DC
		N	28AUG2006	KW	DC

- △ MATERIAL: NYLON UL94V-2 (NATURAL).
- 2. RECOMMENDED PANEL THICKNESS 2.29 [.090] MAX.
- 3. MARKING FOR UL AND CSA LOGO SHALL BE LOCATED ON ANY EXTERNAL SURFACE.
- △ AMP LOGO AND CIRCUIT NUMBERS LOCATED IN AREA, EITHER SIDE, SIZE OPTIONAL, FROST BACKGROUND.
- △ WALL THICKNESS TO MEASURE 0.36-0.51 [.014-.020].



770074-1  
 PART NUMBER

**METRIC**

DIMENSIONS:		TOLERANCES UNLESS OTHERWISE SPECIFIED:		DRN	05AUG2004	 Tyco Electronics Harrisburg, PA 17105-3608
mm [INCHES]				CHK	05AUG2004	
9 PLC	±	9 PLC	±	APVD <td>05AUG2004 </td>	05AUG2004	
1 PLC	±	1 PLC	±	NAME <td></td>		
2 PLC	±	2 PLC	±0.13 (1.005)	PRODUCT SPEC <td></td>		
3 PLC	±	3 PLC	±	APPLICATION SPEC <td></td>		
4 PLC	±	4 PLC	±	SIZE <td>CAGE CODE <td>DRAWING NO </td></td>	CAGE CODE <td>DRAWING NO </td>	DRAWING NO
ANGLES	±	ANGLES	±40° 30'	WEIGHT		RESTRICTED TO
MATERIAL		FINISH		A100779C-770074		REV
				CUSTOMER DRAWING		SCALE