

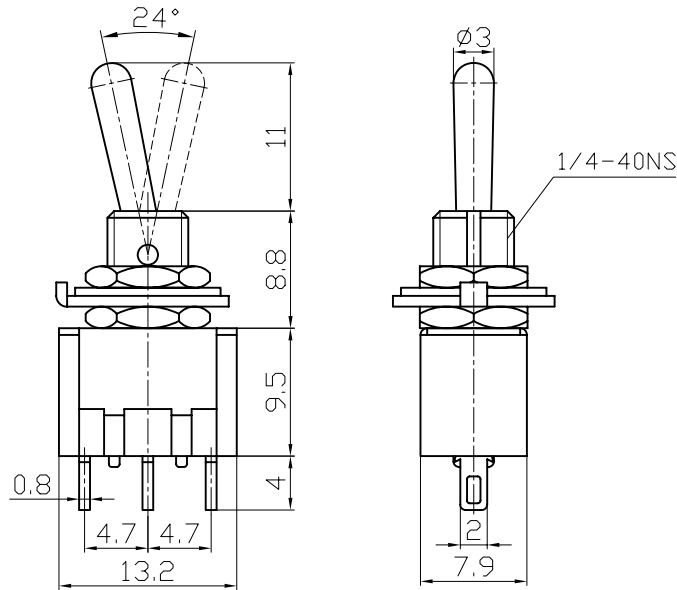
Miniature Toggle Switch

TYPE : MTS-123

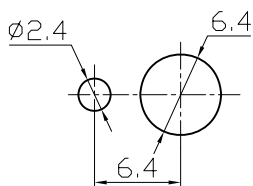
Specification

1. Rating : 6A 125V AC; 3A 250V AC
2. Contact R : 20mΩ max
3. Insulation R : 500V DC 1000MΩ min
4. Dielectric Strength : 1 Minute 1500V AC
5. Operating Temperature : -25°C ~ +85°C
6. Electrical Life : 10, 000 Cycles

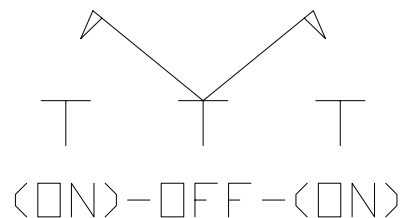
Outline Drawing



Mounting



Circuitry



MATERIAL		GOLDSUN ELECTRONICS CO., LTD.	
		JAMECO NO. 75889-100	GOLDSUN NO. MTS-123
DRAWN: Ivan Wang		Description MINI TOGGLE SWITCH SPDT (ON)-OFF-(ON)3P SOLDER	
VERIFY PEOPLE: Jenny		UNIT: mm	Rev. 1
		SCALE:	CAS No: ERN No:
		SHEET 1 OF 1	