

Distributed by:

**JAMECO**<sup>®</sup>  
ELECTRONICS

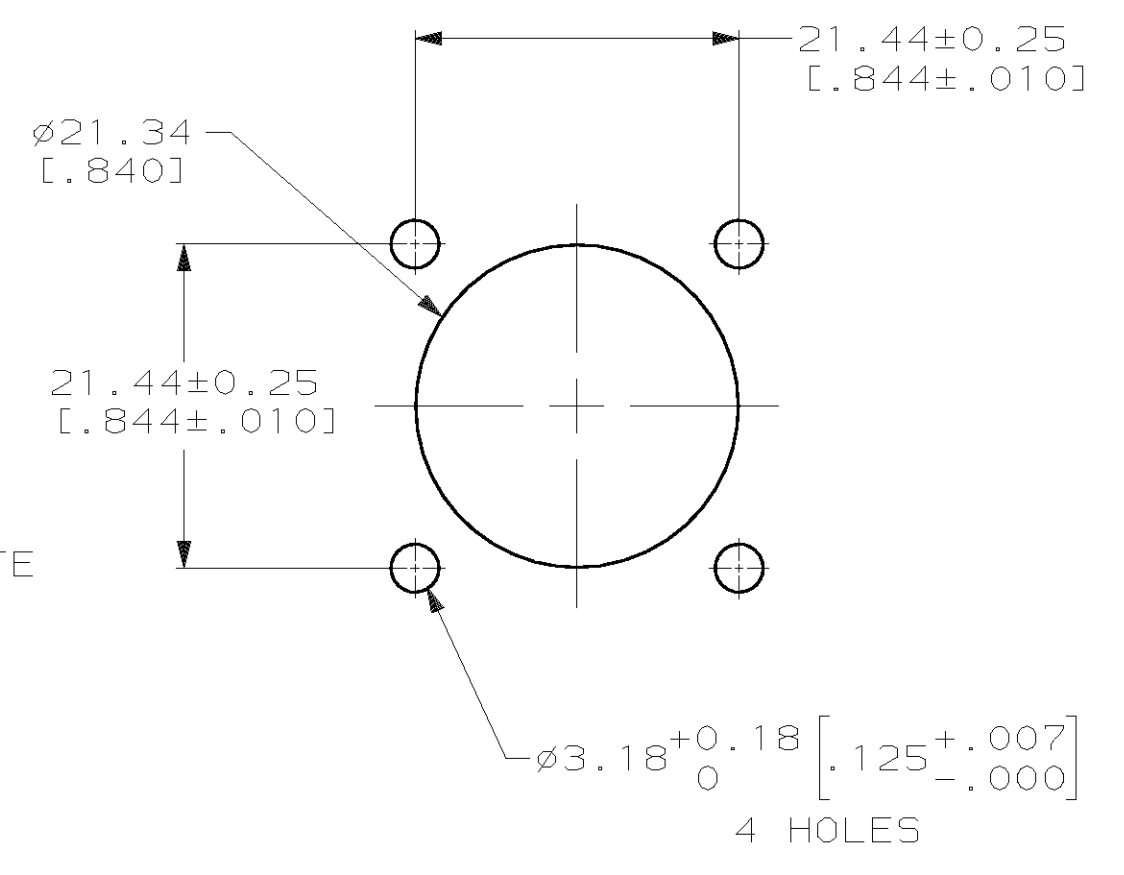
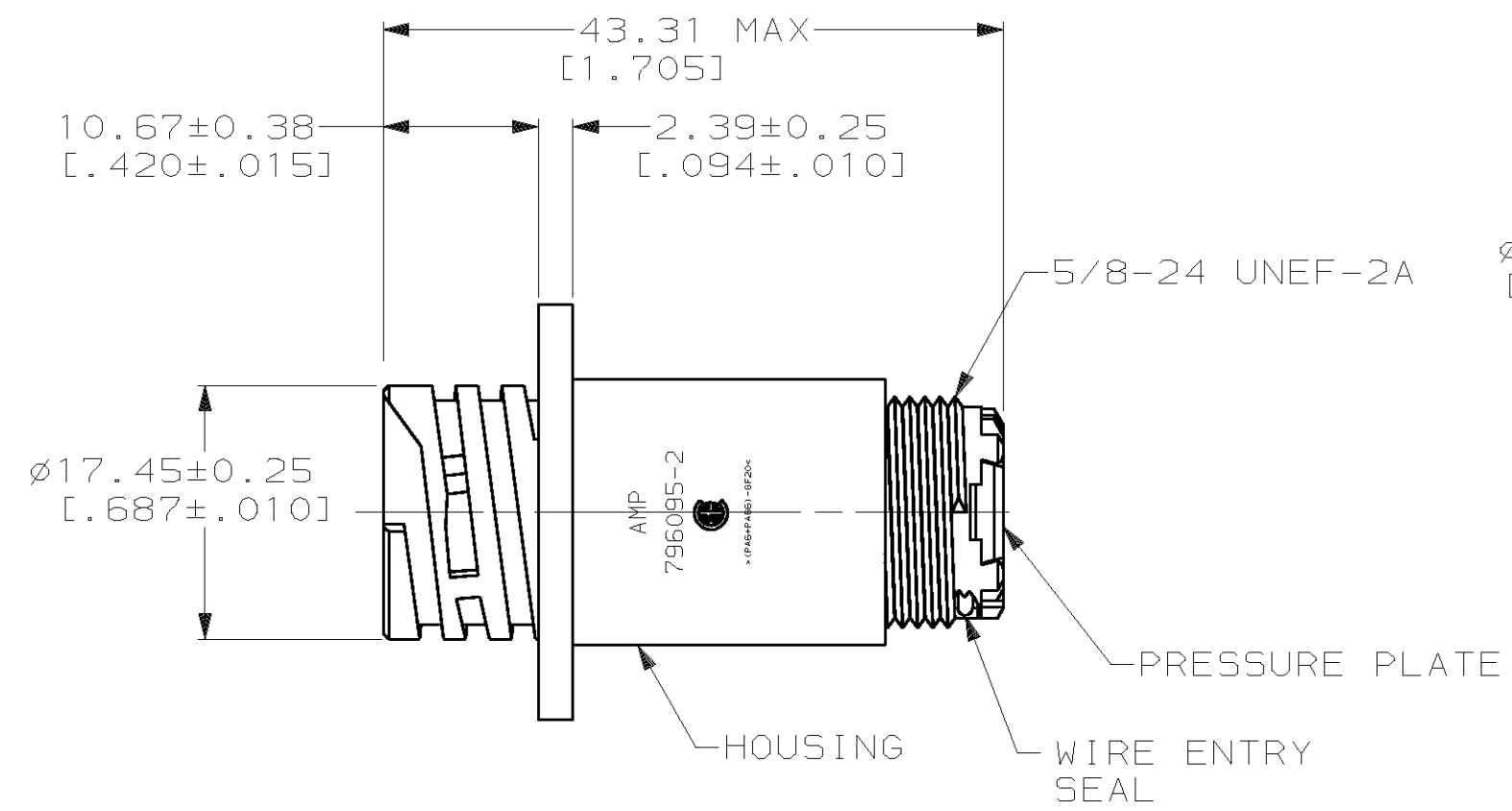
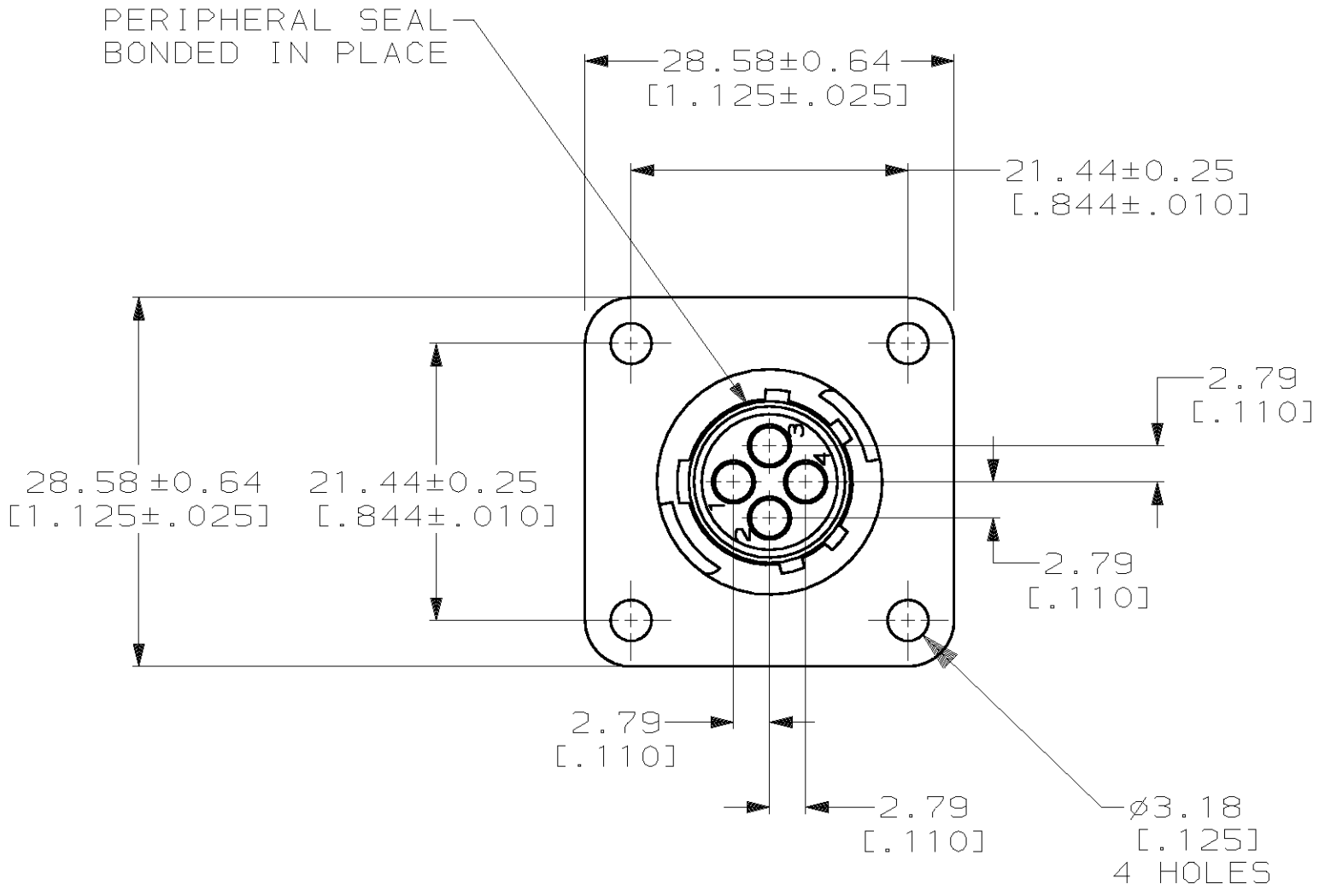
**www.Jameco.com ♦ 1-800-831-4242**

The content and copyrights of the attached  
material are the property of its owner.

Jameco Part Number 759279

THIS DRAWING IS UNPUBLISHED. RELEASED FOR PUBLICATION  
 (C) COPYRIGHT 19 BY AMP INCORPORATED. ALL RIGHTS RESERVED.

LOC		DIST		REVISIONS			
P	LTR	DESCRIPTION	DATE	DWN	APVD		
		RELEASED PER NPR 5710	25 SEP 98	-	-		
		WAS 98-7970-13-2					
A		REV PER EC 063B-0286-01	15JAN02	MHC	SH		



RECOMMENDED PANEL CUTOUT

- THIS PART WILL ACCEPT FOUR (4) MULTIMATE PIN CONTACTS.
- HOUSING AND PRESSURE PLATE: NYLON, BLACK.  
 PERIPHERAL SEAL: ELASTOMER, GRAY.  
 WIRE ENTRY SEAL: ELASTOMER, RED-IRON OXIDE.

796095-2  
 PART NUMBER

THIS DRAWING IS A CONTROLLED DOCUMENT.		DWN	C. DORWART	25 SEP 98	AMP Incorporated Harrisburg, PA 17105-3608								
DIMENSIONS:		CHK	R. WALTER	25 SEP 98									
mm [INCHES]		APVD	R. WALTER	25 SEP 98									
TOLERANCES UNLESS OTHERWISE SPECIFIED: 0 PLC ±- 1 PLC ±- 2 PLC ±0.13 [.005] 3 PLC ±- 4 PLC ±- ANGLES ±-		PRODUCT SPEC	NAME			RECEPTACLE ASSEMBLY, 11-4, STANDARD SEX, SERIES I, SEALED, CIRCULAR PLASTIC CONNECTOR							
MATERIAL	-	FINISH	-	WEIGHT	-	SIZE	A2	CAGE CODE	00779	DRAWING NO	796095	RESTRICTED TO	-
CUSTOMER DRAWING		SCALE	2:1	SHEET	1 OF 1	REV	A						