

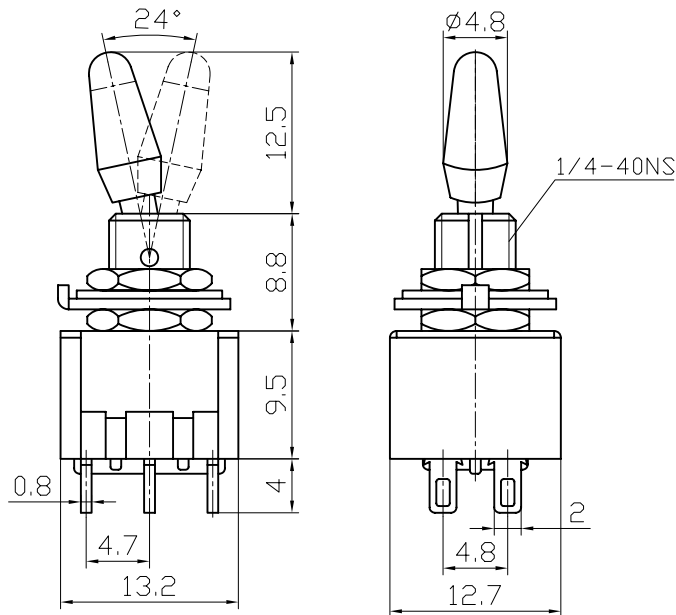
Miniature Toogle Switch

(TYPE):MTS-223-D1

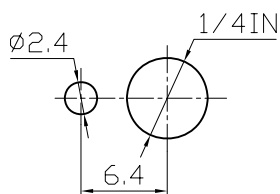
Specification

1. Rating :6A 125V AC; 3A 250V AC
2. Contact R :20mΩ max
3. Insulation R :500V DC 1000MΩ min
4. Dielectric Strength :1 Minute 1500V AC
5. Operating Temperature) : -25°C ~ +85°C
6. Electrical Life :10, 000 Cycles

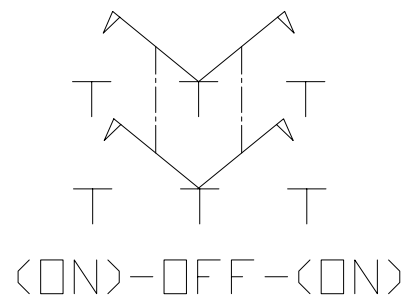
Outline Drawing



Mounting



Circuitry



MATERIAL		GOLDSUN ELECTRONICS CO., LTD.	
DRAWN: Ivan Wang		JAMECO NO. 75951-10	GOLDSUN NO. MTS-223-D1
VERIFY PEOPLE: Jenny		Description MINI TOGGLE SWITCH DPDT (ON)-OFF-(ON)6P SOLDER	
UNIT: mm	SCALE:	SHEET 1 OF 1	Rev. 1 CAS No: ERN No: