

Distributed by:

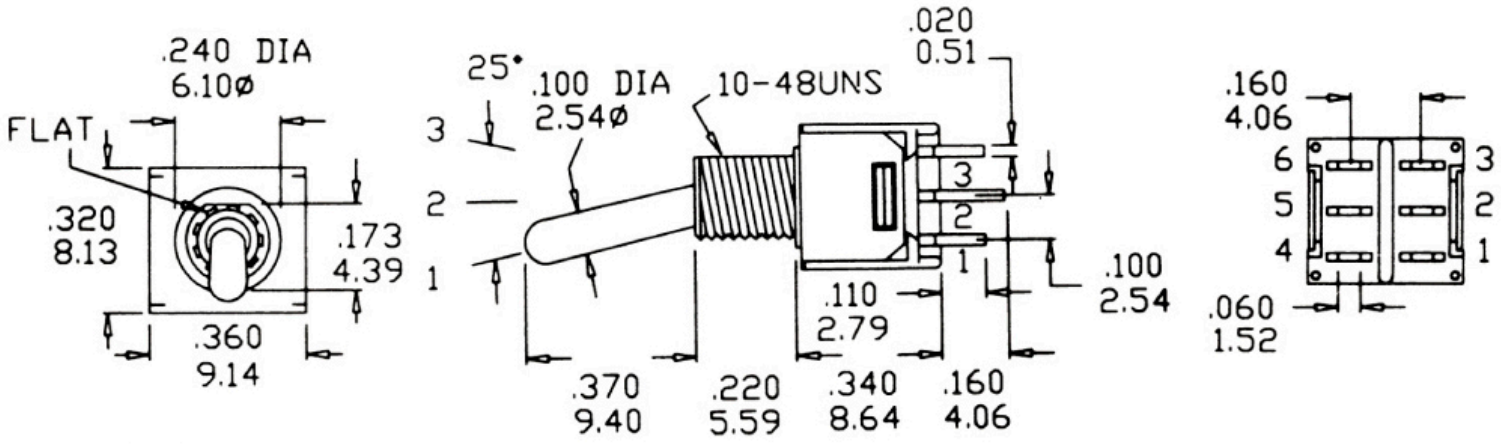
JAMECO[®]
ELECTRONICS

www.Jameco.com ♦ 1-800-831-4242

The content and copyrights of the attached
material are the property of its owner.

Jameco Part Number 75977

Date	Rev.	Description



DCC. NO.
A4 DRAWING NO.

MATERIAL		GOLDSUN ELECTRONICS CO., LTD.	
DRAWN: Kiki Chen		JAMECO NO. 75977	GOLDSUN NO. DS-51T1B1A1QN
VERIFY PEOPLE: Ada Zheng, Ivy Lan		Description SUB-MINI TOGGLE SWITCH	
UNIT: mm	SCALE:	SHEET 1 OF 1	Rev. 1
		CAS No:	ERN No: