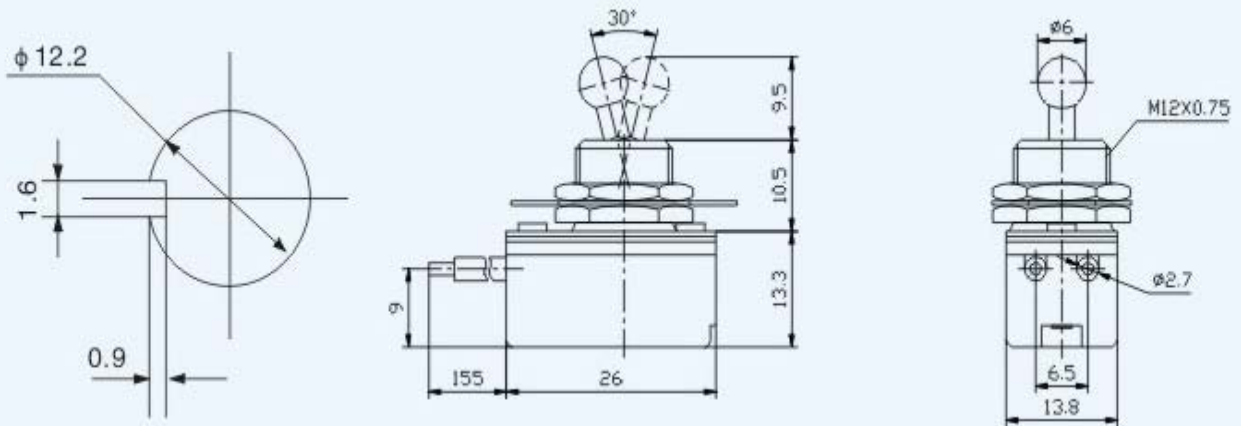


SPECIFICATION

ITEM NUMBER	KNS-1
Circuitry Trait	SPST 2P ON-OFF
RATING	6A 125VAC; 3A 250VAC; 10A 12VDC
Contact Resistance	50mΩ max
Insulation Resistance	500VDC 1000MΩ min.
Dielectric Strength	1500VAC, 1 minute
Operating Temperature	-25°C ~ +85°C
Electrical Life	10,000 cycles

Outline Drawing



MATERIAL		GOLDSUN ELECTRONICS CO., LTD.			
		JAMECO NO. 76232		GOLDSUN NO. KNS-1	
DRAWN: Ivan Wang		Description TOGGLE SWITCH SPST ON-OFF W/NAME PLATE,6" WIRE LEAD			Rev. 1
VERIFY PEOPLE: Jenny					
UNIT: mm	SCALE:	SHEET 1 OF 1	CAS No: ERN No:		