

Distributed by:

**JAMECO**<sup>®</sup>  
ELECTRONICS

**www.Jameco.com ♦ 1-800-831-4242**

The content and copyrights of the attached  
material are the property of its owner.

Jameco Part Number 764748



## MICROPROCESSOR SUPERVISOR WITH WATCHDOG TIMER

### FEATURES

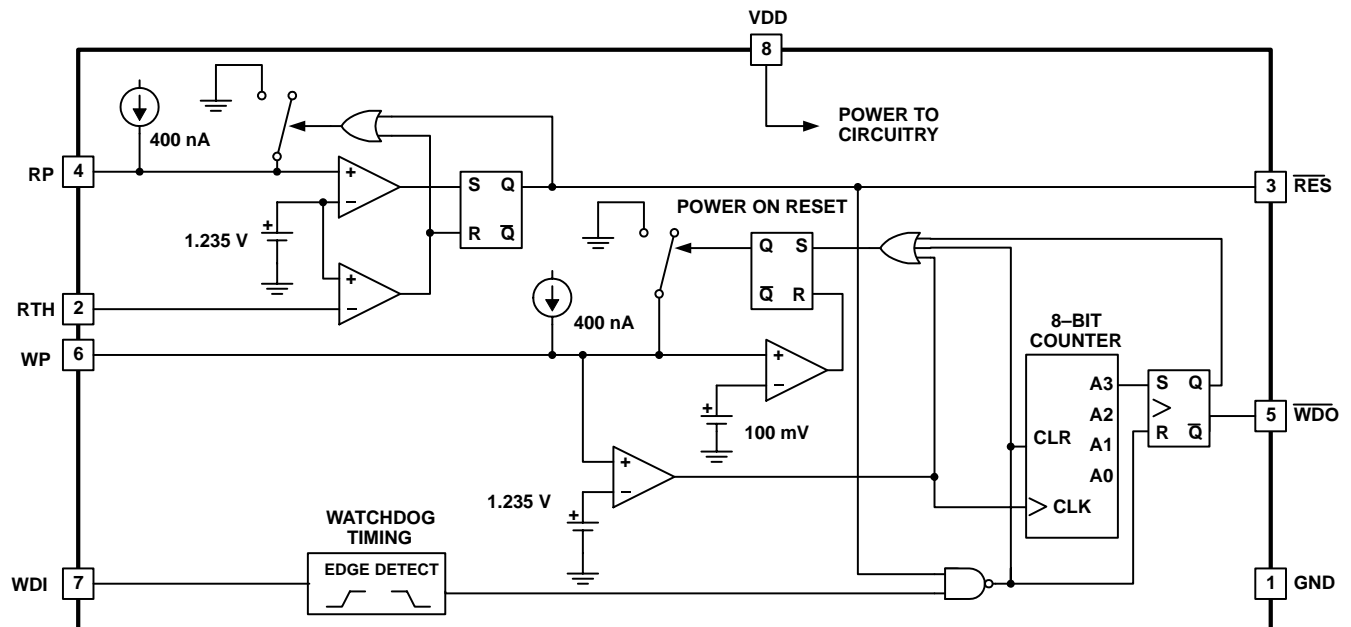
- Fully Programmable Reset Threshold
- Fully Programmable Reset Period
- Fully Programmable Watchdog Period
- 2% Accurate Reset Threshold
- Input Voltage Down to 2 V
- Input 18- $\mu$ A Maximum Input Current
- Reset Valid Down to 1 V

### DESCRIPTION

The UCCx946 is designed to provide accurate microprocessor supervision, including reset and watchdog functions. During power up, the device asserts a reset signal  $\overline{\text{RES}}$  with VDD as low as 1 V. The reset signal remains asserted until the VDD voltage rises and remains above the reset threshold for the reset period. Both reset threshold and reset period are programmable by the user.

The UCCx946 is also resistant to glitches on the VDD line. Once  $\overline{\text{RES}}$  has been deasserted, any drops below the threshold voltage need to be of certain time duration and voltage magnitude to generate a reset signal. These values are shown in Figure 1. An I/O line of the microprocessor may be tied to the watchdog input (WDI) for watchdog functions. If the I/O line is not toggled within a set watchdog period, programmable by the user, WDO is asserted. The watchdog function is disabled during reset conditions.

The UCCx946 is available in 8-pin SOIC(D), 8-pin PDIP (N) and 8-pin TSSOP(PW) packages to optimize board space.



UDG-02192

**ORDERING INFORMATION**

T <sub>A</sub>	PACKAGED DEVICES <sup>(3)</sup>		
	(D)	(N)	(PW)
-40°C to 95°C	UCC2946D	UCC2946N	UCC2946PW
0°C to 70°C	UCC3946D	UCC3946N	UCC3946PW

(1) The D and PW packages are also available taped and reeled. Add an R suffix to the device type (i.e., UCC2946DR) for quantities of 3,000 devices per reel.



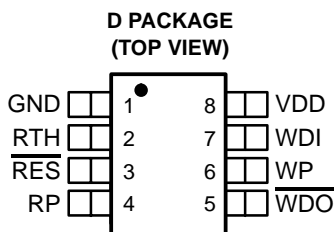
These devices have limited built-in ESD protection. The leads should be shorted together or the device placed in conductive foam during storage or handling to prevent electrostatic damage to the MOS gates.

**ABSOLUTE MAXIMUM RATINGS**

over operating free-air temperature range unless otherwise noted<sup>(1)</sup>

	UCC2946 UCC3946	UNIT
Input voltage range, V <sub>IN</sub>	10	V
Junction temperature range, T <sub>J</sub>	-55 to 150	°C
Storage temperature, T <sub>stg</sub>	-65 to 150	
Lead temperature 1,6 mm (1/16 inch) from case for 10 seconds	300	

(1) Stresses beyond those listed under “absolute maximum ratings” may cause permanent damage to the device. These are stress ratings only, and functional operation of the device at these or any other conditions beyond those indicated under “recommended operating conditions” is not implied. Exposure to absolute-maximum-rated conditions for extended periods may affect device reliability. Voltages are with respect to GND. Currents are positive into, and negative out of the specified terminal.



**TERMINAL FUNCTIONS**

TERMINAL		I/O	DESCRIPTION
NAME	NO.		
GND	1	-	Ground reference for the device
$\overline{\text{RES}}$	3	O	This pin is high only if the voltage on the RTH has risen above 1.235 V. Once RTH rises above the threshold, this pin remains low for the reset period. This pin asserts low and remains low if the RTH voltage dips below 1.235 V for an amount of time determined by Figure 1.
RTH	2	I	This input compares its voltage to an internal 1.25-V reference. By using external resistors, a user can program any desired reset threshold.
RP	4	I	This pin allows the user to program the reset period by adjusting an external capacitor.
VDD	8	I	Supply voltage for the device.
WDI	7	I	This pin is the input to the watchdog timer. If this pin is not toggled or strobed within the watchdog period, WDO is asserted.
$\overline{\text{WDO}}$	5	O	This pin is the watchdog output. This pin is asserted low if the WDI pin is not strobed or toggled within the watchdog period.
WP	6	I	This pin allows the user to program the watchdog period by adjusting an external capacitor.

**ELECTRICAL CHARACTERISTICS**

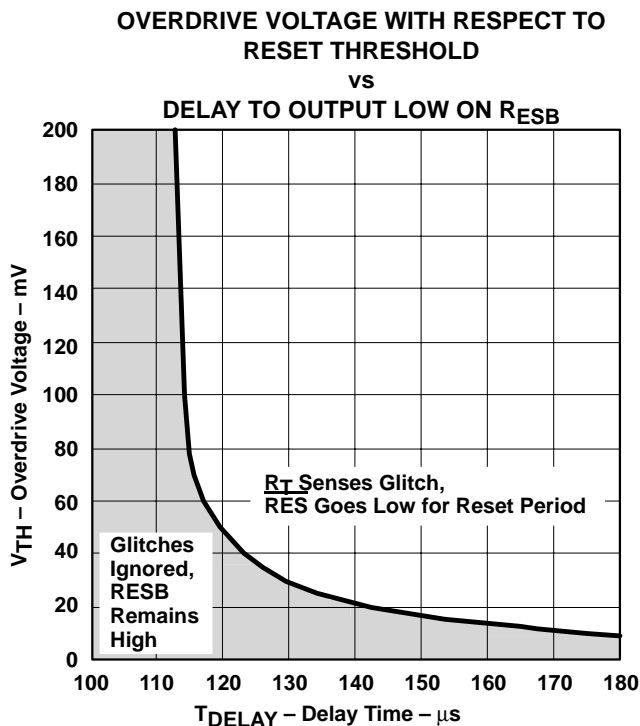
T<sub>A</sub> = 0°C to 70°C and 2.0 V ≤ V<sub>DD</sub> ≤ 5.5 V for the UCC3946, T<sub>A</sub> = -40°C to 95°C and 2.1 V ≤ V<sub>DD</sub> ≤ 5.5 V for the UCC2946, (unless otherwise noted)

PARAMETER		TEST CONDITIONS	MIN	TYP	MAX	UNIT		
<b>REFERENCE</b>								
V <sub>DD</sub>	Operating voltage	UCC2946	2.1		5.5	V		
		UCC3946	2.0		5.5			
I <sub>DD</sub>	Supply current	UCC2946		12	18	μA		
		UCC3946		10	18			
V <sub>DD(min)</sub>	Minimum operating voltage(1)	UCC2946			1.1	V		
		UCC3946			1.0			
<b>RESET SECTION</b>								
	Reset threshold voltage	UCC2946	V <sub>DD</sub> rising	1.170	1.235	1.260	V	
		UCC3946		1.190	1.235	1.260		
Threshold hysteresis				15		mV		
I <sub>LEAK</sub>	Input leakage current				5	nA		
V <sub>OH</sub>	High-level output voltage		I <sub>SOURCE</sub> = 2 mA		V <sub>DD</sub> -0.3			
V <sub>OL</sub>	Low-level output voltage		I <sub>SINK</sub> = 2 mA		0.1			
		UCC2946	I <sub>SINK</sub> = 20 μA, V <sub>DD</sub> = 1 V		0.4			
		UCC3946			0.2			
V <sub>DD</sub> -to-output delay time			V <sub>DD</sub> = -1 mV/μs		120	μs		
	Reset period	UCC2946	C <sub>RP</sub> = 64 nF		140	200	320	ms
		UCC3946			160	200	260	
<b>WATCHDOG SECTION</b>								
V <sub>IH</sub>	High-level input voltage, WDI		0.7×V <sub>DD</sub>			V		
V <sub>IL</sub>	Low-level input voltage, WDI		0.3×V <sub>DD</sub>					
	Watchdog period	UCC2946	C <sub>RP</sub> = 64 nF		0.96	1.60	2.56	s
		UCC3946			1.12	1.60	2.08	
Watchdog pulse width			50			ns		
V <sub>OH</sub>	High-level output voltage		I <sub>SOURCE</sub> = 2 mA		V <sub>DD</sub> -0.3			
V <sub>OL</sub>	Low-level output voltage		I <sub>SINK</sub> = 2 mA		0.1			

(1) Minimum supply voltage where RES is considered valid.

**APPLICATION INFORMATION**

The UCCx946 supervisory circuit provides accurate reset and watchdog functions for a variety of microprocessor applications. The reset circuit prevents the microprocessor from executing code during undervoltage conditions, typically during power-up and power-down. In order to prevent erratic operation in the presence of noise, voltage glitches where voltage amplitude and time duration are less than the values specified in Figure 1 are ignored.



**Figure 1.**

The watchdog circuit monitors the microprocessor's activity, if the microprocessor does not toggle  $\overline{WDI}$  during the programmable watchdog period  $\overline{WDO}$  goes low, alerting the microprocessor's interrupt of a fault. The  $\overline{WDO}$  pin is typically connected to the non-maskable input of the microprocessor so that an error recovery routine can be executed.

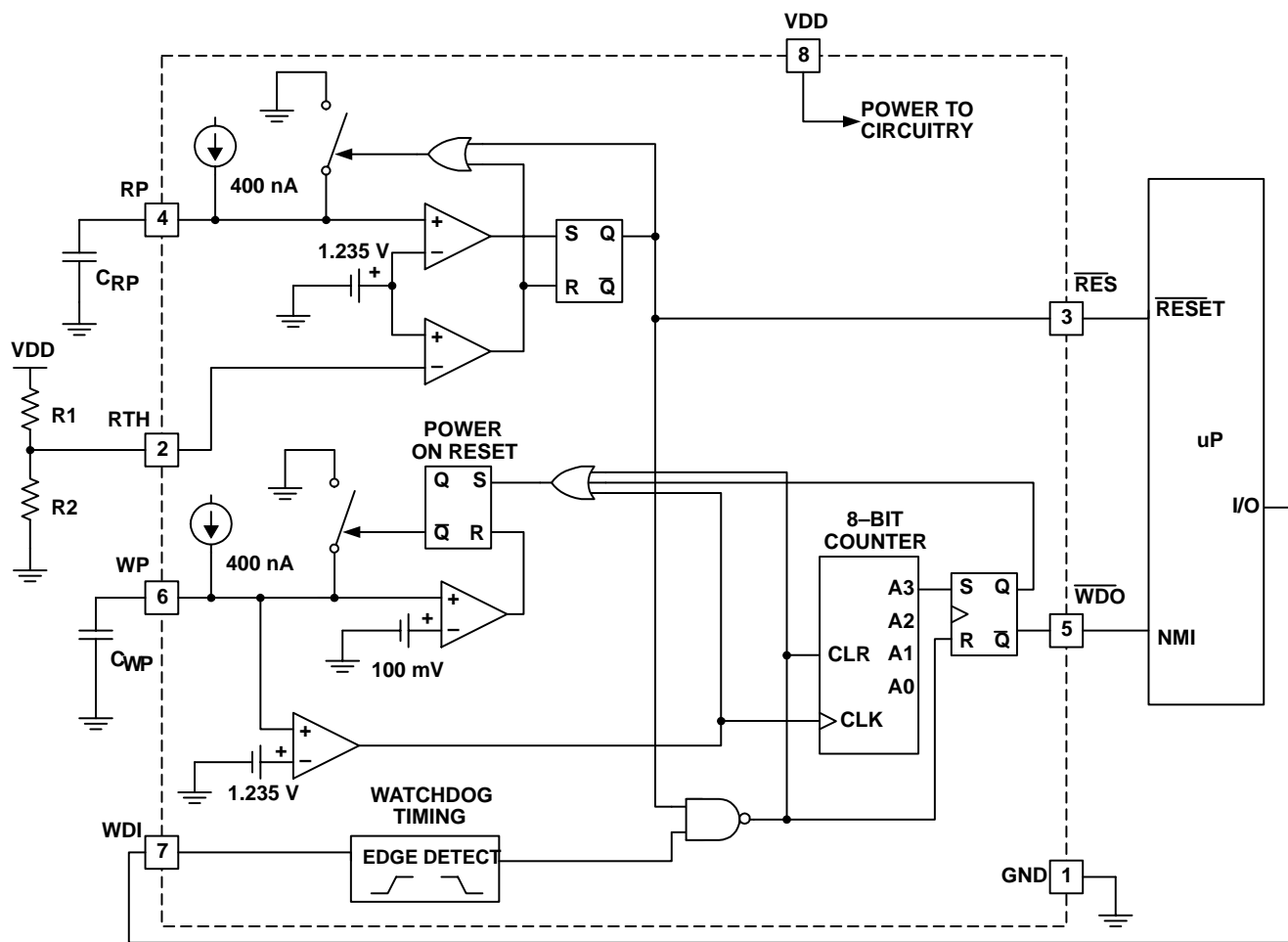
**APPLICATION INFORMATION**

**PROGRAMMING THE RESET VOLTAGE AND RESET PERIOD**

The UCCx946 allows the reset trip voltage to be programmed with two external resistors. In most applications VDD is monitored by the reset circuit, however, the design allows voltages other than VDD to be monitored. Referring to Figure 2, the voltage below which reset is asserted is determined by:

$$V_{\text{RESET}} = 1.235 \times \left( \frac{R1 + R2}{R2} \right) \tag{1}$$

In order to keep quiescent currents low, resistor values in the megaohm range can be used for R1 and R2. A manual reset can be easily implemented by connecting a momentary push switch in parallel with R2.  $\overline{\text{RES}}$  is ensured to be low with VDD voltages as low as 1 V.



UDG-98002

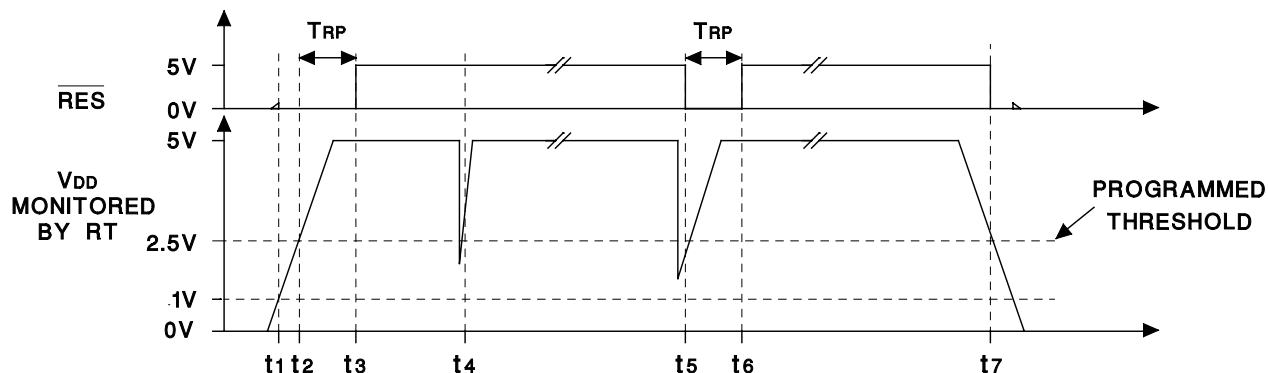
**Figure 2. Typical Application Diagram**

**APPLICATION INFORMATION**

Once VDD rises above the programmed threshold,  $\overline{\text{RES}}$  remains low for the reset period defined by:

$$T_{RP} = 3.125 \times C_{RP} \tag{2}$$

where  $T_{RP}$  is time in milliseconds and  $C_{RP}$  is capacitance in nanofarads.  $C_{RP}$  is charged with a precision current source of 400 nA, a high-quality, low-leakage capacitor (such as an NPO ceramic) should be used to maintain timing tolerances. Figure 3 illustrates the voltage levels and timings associated with the reset circuit.



UDG-97067

- t1:  $V_{DD} > 1\text{ V}$ ,  $\overline{\text{RES}}$  is ensured low.
- t2:  $V_{DD} >$  programmed threshold,  $\overline{\text{RES}}$  remains low for TRP.
- t3:  $T_{RP}$  expires,  $\overline{\text{RES}}$  pulls high.
- t4: Voltage glitch occurs, but is filtered at the RTH pin,  $\overline{\text{RES}}$  remains high.
- t5: Voltage glitch occurs whose magnitude and duration is greater than the RTH filter,  $\overline{\text{RES}}$  is asserted for TRP.
- t6: On completion of the TRP pulse the RTH voltage has returned and  $\overline{\text{RES}}$  is pulled high.
- t7:  $V_{DD}$  dips below threshold (minus hysteresis),  $\overline{\text{RES}}$  is asserted.

**Figure 3. Reset Circuit Timings**

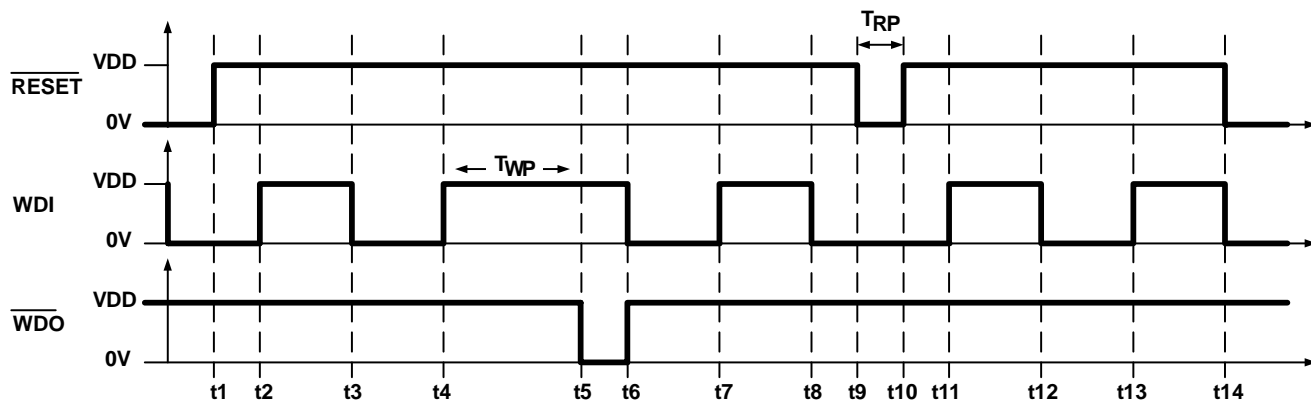
**APPLICATION INFORMATION**

**PROGRAMMING THE WATCHDOG PERIOD**

The watchdog period is programmed with  $C_{WP}$  as follows:

$$T_{WP} = 25 \times C_{WP} \tag{3}$$

where  $T_{WP}$  is in milliseconds and  $C_{WP}$  is in nanofarads. A high-quality, low-leakage capacitor should be used for  $C_{WP}$ . The watchdog input  $\overline{WDI}$  must be toggled with a high-to-low or low-to-high transition within the watchdog period to prevent  $\overline{WDO}$  from assuming a logic level low.  $\overline{WDO}$  maintains the low logic level until  $\overline{WDI}$  is toggled or  $\overline{RES}$  is asserted. If at any time  $\overline{RES}$  is asserted,  $\overline{WDO}$  assumes a high logic state and the watchdog period be reinitiated. Figure 4 illustrates the timings associated with the watchdog circuit.



UDG-98007

- t1: Microprocessor is reset.
- t2:  $\overline{WDI}$  is toggled some time after reset, but before  $T_{WP}$  expires.
- t3:  $\overline{WDI}$  is toggled before  $T_{WP}$  expires.
- t4:  $\overline{WDI}$  is toggled before  $T_{WP}$  expires.
- t5:  $\overline{WDI}$  is not toggled before  $T_{WP}$  expires and  $\overline{WDO}$  asserts low, triggering the microprocessor to enter an error recovery routine.
- t6: The microprocessor's error recovery routine is executed and  $\overline{WDI}$  is toggled, reinitiating the watchdog timer.
- t7:  $\overline{WDI}$  is toggled before  $T_{WP}$  expires.
- t8:  $\overline{WDI}$  is toggled before  $T_{WP}$  expires.
- t9:  $\overline{RES}$  is momentarily triggered,  $\overline{RES}$  is asserted low for  $TRP$ .
- t10: Microprocessor is reset,  $\overline{RES}$  pulls high.
- t11:  $\overline{WDI}$  is toggled some time after reset, but before  $T_{WP}$  expires.
- t12:  $\overline{WDI}$  is toggled before  $T_{WP}$  expires.
- t13:  $\overline{WDI}$  is toggled before  $T_{WP}$  expires.
- t14:  $V_{DD}$  dips below the reset threshold,  $\overline{RES}$  is asserted.

**Figure 4. Watchdog Circuit Timings**



**APPLICATION INFORMATION**

**CONNECTING  $\overline{WDO}$  TO  $\overline{RES}$**

In order to provide design flexibility, the reset and watchdog circuits in the UCCx946 have separate outputs. Each output independently drives high or low, depending on circuit conditions explained previously.

In some applications, it may be desirable for either the  $\overline{RES}$  or  $\overline{WDO}$  to reset the microprocessor. This can be done by connecting  $\overline{WDO}$  to  $\overline{RES}$ . If the pins try to drive to different output levels, the low output level dominates. Additional current flows from VDD to GND during these states. If the application cannot support additional current (during fault conditions),  $\overline{RES}$  and  $\overline{WDO}$  can be connected to the inputs of an OR gate whose output is connected to the microprocessor's reset pin.

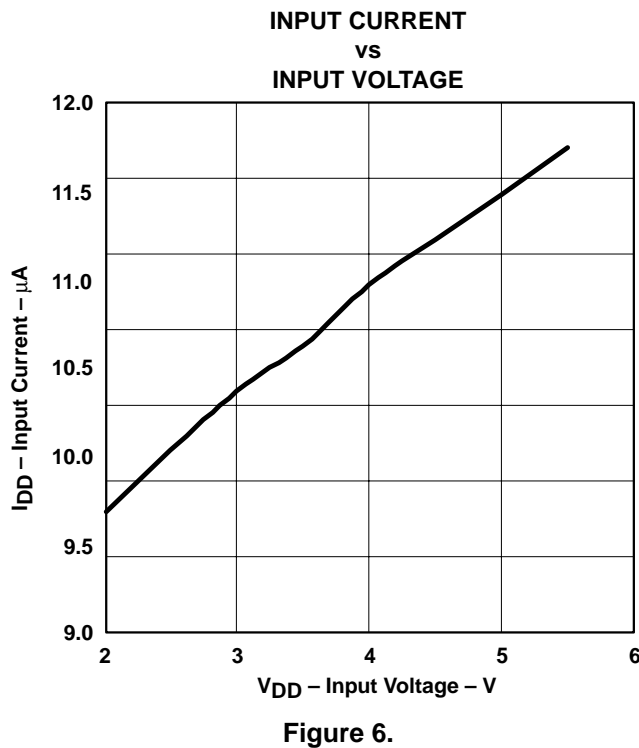
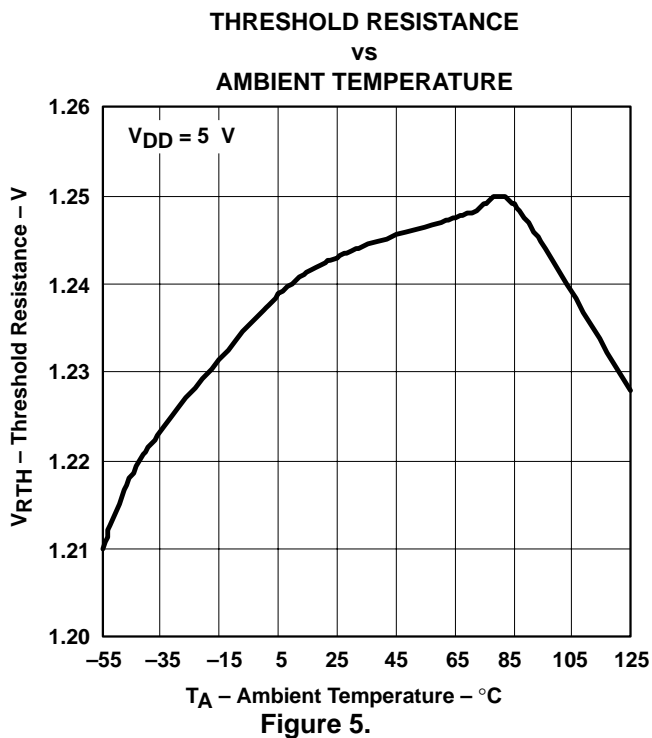
**LAYOUT CONSIDERATIONS**

A 0.1- $\mu$ F capacitor connected from VDD to GND is recommended to decouple the UCCx946 from switching transients on the VDD supply rail.

Since RP and WP are precision current sources, capacitors  $C_{RP}$  and  $C_{WP}$  should be connected to these pins with minimal trace length to reduce board capacitance. Care should be taken to route any traces with high voltage potential or high speed digital signals away from these capacitors.

Resistors R1 and R2 generally have a high ohmic value, traces associated with these parts should be kept short in order to prevent any transient producing signals from coupling into the high impedance RTH pin.

**TYPICAL CHARACTERISTICS**



**PACKAGING INFORMATION**

Orderable Device	Status <sup>(1)</sup>	Package Type	Package Drawing	Pins	Package Qty	Eco Plan <sup>(2)</sup>	Lead/Ball Finish	MSL Peak Temp <sup>(3)</sup>
UCC2946D	ACTIVE	SOIC	D	8	75	Green (RoHS & no Sb/Br)	CU NIPDAU	Level-2-260C-1 YEAR
UCC2946DG4	ACTIVE	SOIC	D	8	75	Green (RoHS & no Sb/Br)	CU NIPDAU	Level-2-260C-1 YEAR
UCC2946DTR	ACTIVE	SOIC	D	8	2500	Green (RoHS & no Sb/Br)	CU NIPDAU	Level-2-260C-1 YEAR
UCC2946DTRG4	ACTIVE	SOIC	D	8	2500	Green (RoHS & no Sb/Br)	CU NIPDAU	Level-2-260C-1 YEAR
UCC2946PW	ACTIVE	TSSOP	PW	8	150	Green (RoHS & no Sb/Br)	CU NIPDAU	Level-2-260C-1 YEAR
UCC2946PWG4	ACTIVE	TSSOP	PW	8	150	Green (RoHS & no Sb/Br)	CU NIPDAU	Level-2-260C-1 YEAR
UCC2946PWTR	ACTIVE	TSSOP	PW	8	2000	Green (RoHS & no Sb/Br)	CU NIPDAU	Level-2-260C-1 YEAR
UCC2946PWTRG4	ACTIVE	TSSOP	PW	8	2000	Green (RoHS & no Sb/Br)	CU NIPDAU	Level-2-260C-1 YEAR
UCC3946D	ACTIVE	SOIC	D	8	75	Green (RoHS & no Sb/Br)	CU NIPDAU	Level-2-260C-1 YEAR
UCC3946DG4	ACTIVE	SOIC	D	8	75	Green (RoHS & no Sb/Br)	CU NIPDAU	Level-2-260C-1 YEAR
UCC3946DTR	ACTIVE	SOIC	D	8	2500	Green (RoHS & no Sb/Br)	CU NIPDAU	Level-2-260C-1 YEAR
UCC3946DTRG4	ACTIVE	SOIC	D	8	2500	Green (RoHS & no Sb/Br)	CU NIPDAU	Level-2-260C-1 YEAR
UCC3946N	ACTIVE	PDIP	P	8	50	Green (RoHS & no Sb/Br)	CU NIPDAU	N / A for Pkg Type
UCC3946NG4	ACTIVE	PDIP	P	8	50	Green (RoHS & no Sb/Br)	CU NIPDAU	N / A for Pkg Type
UCC3946PW	ACTIVE	TSSOP	PW	8	150	Green (RoHS & no Sb/Br)	CU NIPDAU	Level-2-260C-1 YEAR
UCC3946PWG4	ACTIVE	TSSOP	PW	8	150	Green (RoHS & no Sb/Br)	CU NIPDAU	Level-2-260C-1 YEAR
UCC3946PWTR	ACTIVE	TSSOP	PW	8	2000	Green (RoHS & no Sb/Br)	CU NIPDAU	Level-2-260C-1 YEAR
UCC3946PWTRG4	ACTIVE	TSSOP	PW	8	2000	Green (RoHS & no Sb/Br)	CU NIPDAU	Level-2-260C-1 YEAR

<sup>(1)</sup> The marketing status values are defined as follows:

**ACTIVE:** Product device recommended for new designs.

**LIFEBUY:** TI has announced that the device will be discontinued, and a lifetime-buy period is in effect.

**NRND:** Not recommended for new designs. Device is in production to support existing customers, but TI does not recommend using this part in a new design.

**PREVIEW:** Device has been announced but is not in production. Samples may or may not be available.

**OBSOLETE:** TI has discontinued the production of the device.

<sup>(2)</sup> Eco Plan - The planned eco-friendly classification: Pb-Free (RoHS), Pb-Free (RoHS Exempt), or Green (RoHS & no Sb/Br) - please check <http://www.ti.com/productcontent> for the latest availability information and additional product content details.

**TBD:** The Pb-Free/Green conversion plan has not been defined.

**Pb-Free (RoHS):** TI's terms "Lead-Free" or "Pb-Free" mean semiconductor products that are compatible with the current RoHS requirements for all 6 substances, including the requirement that lead not exceed 0.1% by weight in homogeneous materials. Where designed to be soldered at high temperatures, TI Pb-Free products are suitable for use in specified lead-free processes.

**Pb-Free (RoHS Exempt):** This component has a RoHS exemption for either 1) lead-based flip-chip solder bumps used between the die and

package, or 2) lead-based die adhesive used between the die and leadframe. The component is otherwise considered Pb-Free (RoHS compatible) as defined above.

**Green (RoHS & no Sb/Br):** TI defines "Green" to mean Pb-Free (RoHS compatible), and free of Bromine (Br) and Antimony (Sb) based flame retardants (Br or Sb do not exceed 0.1% by weight in homogeneous material)

<sup>(3)</sup> MSL, Peak Temp. -- The Moisture Sensitivity Level rating according to the JEDEC industry standard classifications, and peak solder temperature.

**Important Information and Disclaimer:**The information provided on this page represents TI's knowledge and belief as of the date that it is provided. TI bases its knowledge and belief on information provided by third parties, and makes no representation or warranty as to the accuracy of such information. Efforts are underway to better integrate information from third parties. TI has taken and continues to take reasonable steps to provide representative and accurate information but may not have conducted destructive testing or chemical analysis on incoming materials and chemicals. TI and TI suppliers consider certain information to be proprietary, and thus CAS numbers and other limited information may not be available for release.

In no event shall TI's liability arising out of such information exceed the total purchase price of the TI part(s) at issue in this document sold by TI to Customer on an annual basis.

P (R-PDIP-T8)

PLASTIC DUAL-IN-LINE



- NOTES: A. All linear dimensions are in inches (millimeters).  
 B. This drawing is subject to change without notice.  
 C. Falls within JEDEC MS-001

For the latest package information, go to [http://www.ti.com/sc/docs/package/pkg\\_info.htm](http://www.ti.com/sc/docs/package/pkg_info.htm)



D (R-PDSO-G8)

PLASTIC SMALL-OUTLINE PACKAGE



- NOTES:
- A. All linear dimensions are in inches (millimeters).
  - B. This drawing is subject to change without notice.
  - C. Body dimensions do not include mold flash or protrusion not to exceed 0.006 (0,15).
  - D. Falls within JEDEC MS-012 variation AA.

PW (R-PDSO-G\*\*)

PLASTIC SMALL-OUTLINE PACKAGE

14 PINS SHOWN



4040064/F 01/97

- NOTES: A. All linear dimensions are in millimeters.  
 B. This drawing is subject to change without notice.  
 C. Body dimensions do not include mold flash or protrusion not to exceed 0,15.  
 D. Falls within JEDEC MO-153

## IMPORTANT NOTICE

Texas Instruments Incorporated and its subsidiaries (TI) reserve the right to make corrections, modifications, enhancements, improvements, and other changes to its products and services at any time and to discontinue any product or service without notice. Customers should obtain the latest relevant information before placing orders and should verify that such information is current and complete. All products are sold subject to TI's terms and conditions of sale supplied at the time of order acknowledgment.

TI warrants performance of its hardware products to the specifications applicable at the time of sale in accordance with TI's standard warranty. Testing and other quality control techniques are used to the extent TI deems necessary to support this warranty. Except where mandated by government requirements, testing of all parameters of each product is not necessarily performed.

TI assumes no liability for applications assistance or customer product design. Customers are responsible for their products and applications using TI components. To minimize the risks associated with customer products and applications, customers should provide adequate design and operating safeguards.

TI does not warrant or represent that any license, either express or implied, is granted under any TI patent right, copyright, mask work right, or other TI intellectual property right relating to any combination, machine, or process in which TI products or services are used. Information published by TI regarding third-party products or services does not constitute a license from TI to use such products or services or a warranty or endorsement thereof. Use of such information may require a license from a third party under the patents or other intellectual property of the third party, or a license from TI under the patents or other intellectual property of TI.

Reproduction of information in TI data books or data sheets is permissible only if reproduction is without alteration and is accompanied by all associated warranties, conditions, limitations, and notices. Reproduction of this information with alteration is an unfair and deceptive business practice. TI is not responsible or liable for such altered documentation.

Resale of TI products or services with statements different from or beyond the parameters stated by TI for that product or service voids all express and any implied warranties for the associated TI product or service and is an unfair and deceptive business practice. TI is not responsible or liable for any such statements.

Following are URLs where you can obtain information on other Texas Instruments products and application solutions:

<b>Products</b>		<b>Applications</b>	
Amplifiers	<a href="http://amplifier.ti.com">amplifier.ti.com</a>	Audio	<a href="http://www.ti.com/audio">www.ti.com/audio</a>
Data Converters	<a href="http://dataconverter.ti.com">dataconverter.ti.com</a>	Automotive	<a href="http://www.ti.com/automotive">www.ti.com/automotive</a>
DSP	<a href="http://dsp.ti.com">dsp.ti.com</a>	Broadband	<a href="http://www.ti.com/broadband">www.ti.com/broadband</a>
Interface	<a href="http://interface.ti.com">interface.ti.com</a>	Digital Control	<a href="http://www.ti.com/digitalcontrol">www.ti.com/digitalcontrol</a>
Logic	<a href="http://logic.ti.com">logic.ti.com</a>	Military	<a href="http://www.ti.com/military">www.ti.com/military</a>
Power Mgmt	<a href="http://power.ti.com">power.ti.com</a>	Optical Networking	<a href="http://www.ti.com/opticalnetwork">www.ti.com/opticalnetwork</a>
Microcontrollers	<a href="http://microcontroller.ti.com">microcontroller.ti.com</a>	Security	<a href="http://www.ti.com/security">www.ti.com/security</a>
Low Power Wireless	<a href="http://www.ti.com/lpw">www.ti.com/lpw</a>	Telephony	<a href="http://www.ti.com/telephony">www.ti.com/telephony</a>
		Video & Imaging	<a href="http://www.ti.com/video">www.ti.com/video</a>
		Wireless	<a href="http://www.ti.com/wireless">www.ti.com/wireless</a>

Mailing Address: Texas Instruments  
Post Office Box 655303 Dallas, Texas 75265