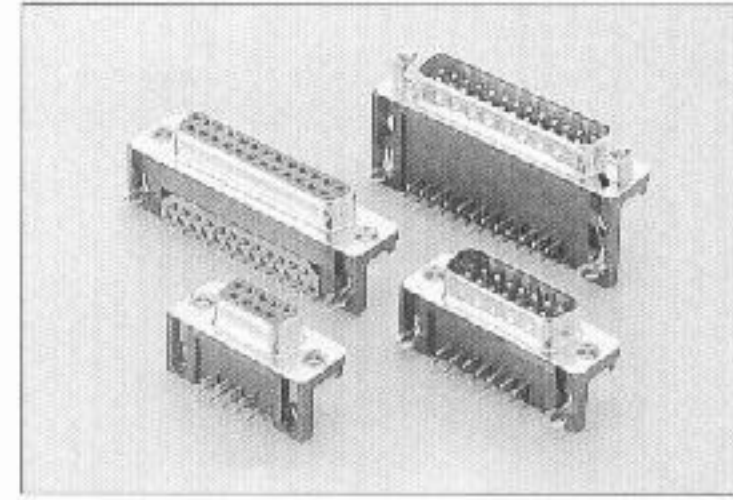
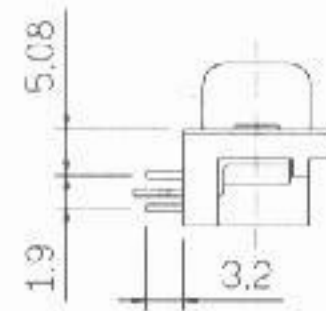
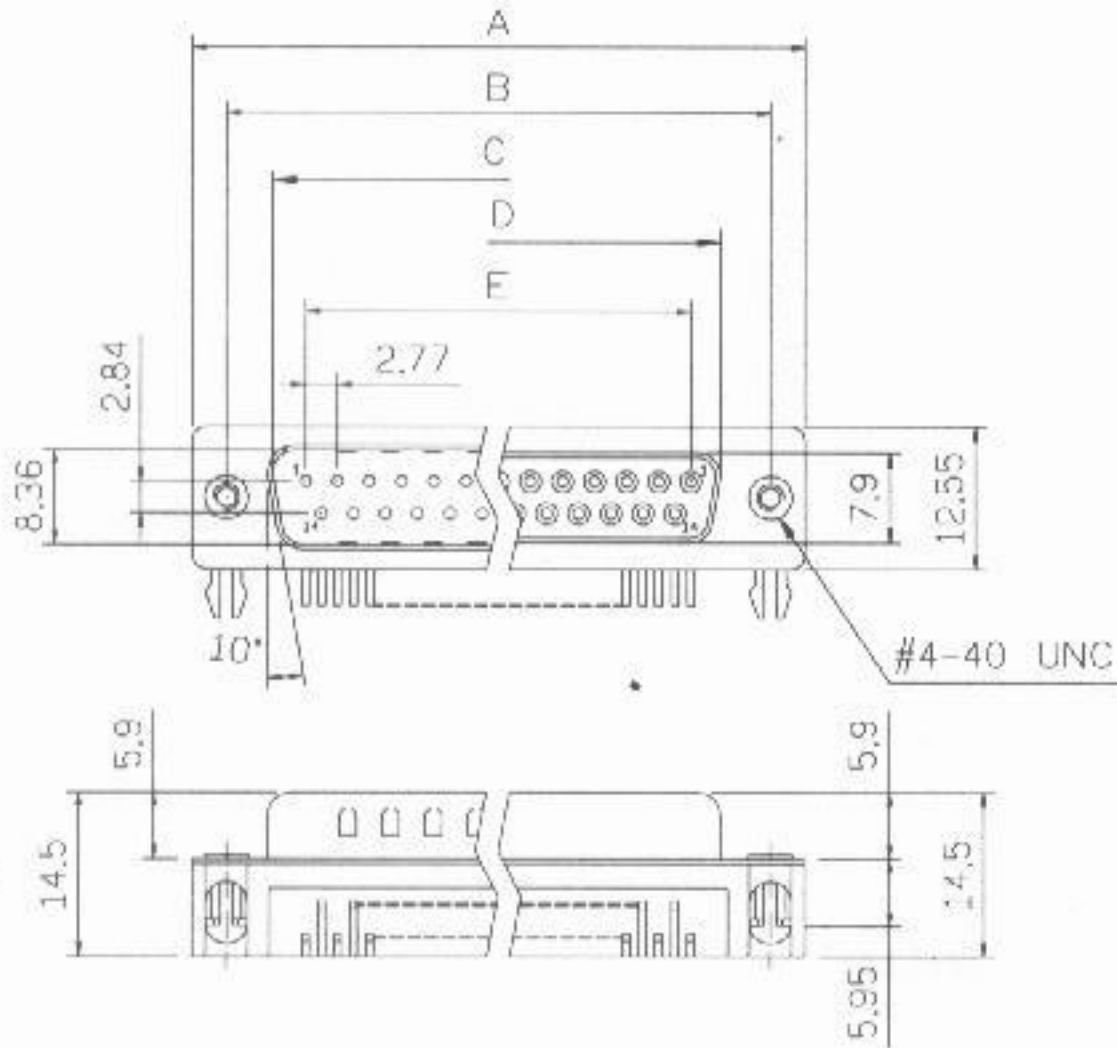


1008 Series

D-SUB Right Angle Type



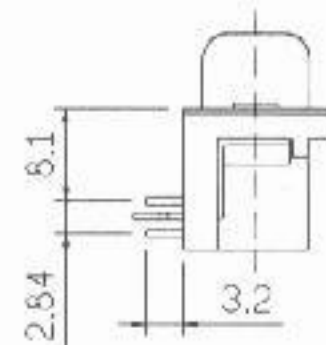
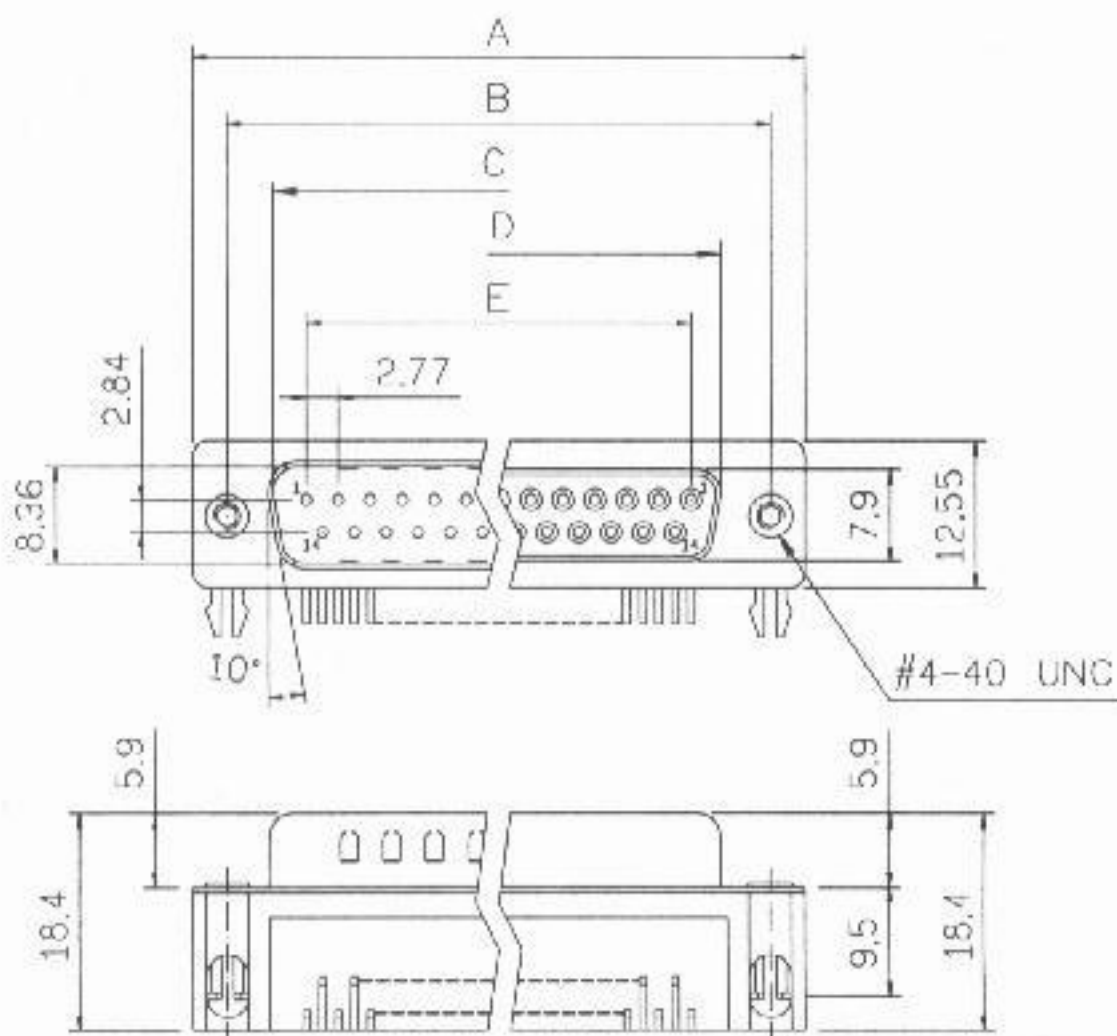
(ROHS)



5.08mm Footprint

Dimensions

Positions	A	B	C	D	E
9	30.81	24.99	16.92	16.33	11.08
15	39.14	33.32	25.50	24.66	19.39
25	53.04	47.04	38.96	38.38	33.24
37	69.32	63.50	55.42	54.84	49.86

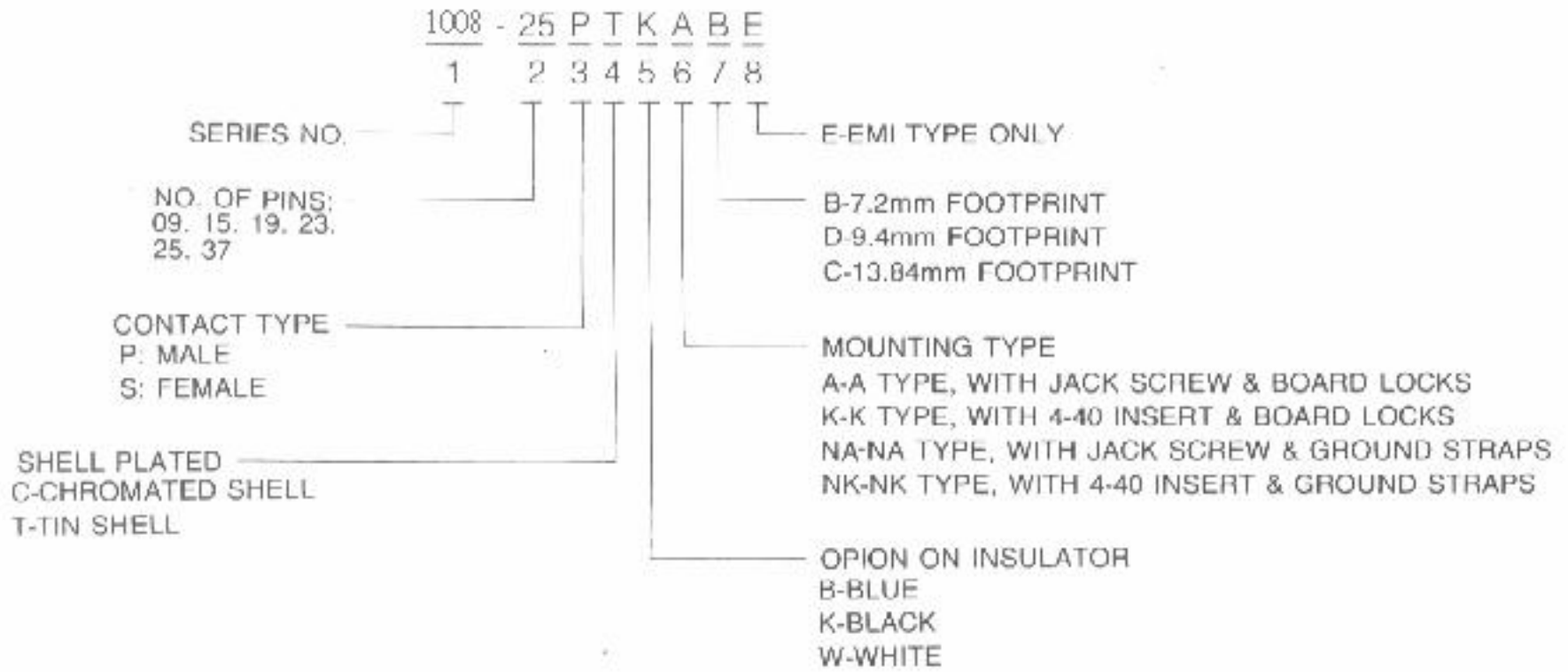


7.2mm (0.318") Footprint

1008 SERIES

D-SUB RIGHT ANGLE TYPE

How to order



D-SUB CONNECTORS RIGHT ANGLE MOUNTING OPTIONS

