

Distributed by:

JAMECO[®]
ELECTRONICS

www.Jameco.com ♦ 1-800-831-4242

The content and copyrights of the attached
material are the property of its owner.

Jameco Part Number 784327

74LVT162244 • 74LVTH162244

Low Voltage 16-Bit Buffer/Line Driver with 3-STATE Outputs and 25Ω Series Resistors in the Outputs

General Description

The LVT162244 and LVTH162244 contain sixteen non-inverting buffers with 3-STATE outputs designed to be employed as a memory and address driver, clock driver, or bus oriented transmitter/receiver. The device is nibble controlled. Individual 3-STATE control inputs can be shorted together for 8-bit or 16-bit operation.

The LVT162244 and LVTH162244 are designed with equivalent 25Ω series resistance in both the HIGH and LOW states of the output. This design reduces line noise in applications such as memory address drivers, clock drivers, and bus transceivers/transmitters.

The LVTH162244 data inputs include bushold, eliminating the need for external pull-up resistors to hold unused inputs.

These buffers and line drivers are designed for low-voltage (3.3V) V_{CC} applications, but with the capability to provide a TTL interface to a 5V environment. The LVT162244 and LVTH162244 are fabricated with an advanced BiCMOS technology to achieve high speed operation similar to 5V ABT while maintaining a low power dissipation.

Features

- Input and output interface capability to systems at 5V V_{CC}
- Bushold data inputs eliminate the need for external pull-up resistors to hold unused inputs (74LVTH162244), also available without bushold feature (74LVT162244).
- Live insertion/extraction permitted
- Power Up/Power Down high impedance provides glitch-free bus loading
- Outputs include equivalent series resistance of 25Ω to make external termination resistors unnecessary and reduce overshoot and undershoot
- Functionally compatible with the 74 series 162244
- Latch-up performance exceeds 500 mA
- ESD performance:
 - Human-body model > 2000V
 - Machine model > 200V
 - Charged-device > 1000V
- Also packaged in plastic Fine-Pitch Ball Grid Array (FBGA)

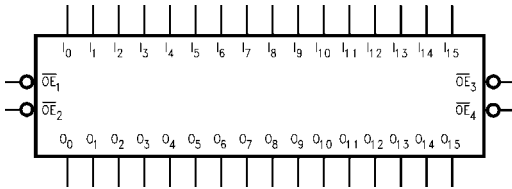
Ordering Code:

| Order Number | Package Number | Package Description |
|-----------------------------------|----------------|---|
| 74LVT162244G (Note 1)(Note 2) | BGA54A | 54-Ball Fine-Pitch Ball Grid Array (FBGA), JEDEC MO-205, 5.5mm Wide |
| 74LVT162244MEA (Note 2) | MS48A | 48-Lead Small Shrink Outline Package (SSOP), JEDEC MO-118, 0.300" Wide |
| 74LVT162244MTD (Note 2) | MTD48 | 48-Lead Thin Shrink Small Outline Package (TSSOP), JEDEC MO-153, 6.1mm Wide |
| 74LVTH162244G (Note 1)(Note 2) | BGA54A | 54-Ball Fine-Pitch Ball Grid Array (FBGA), JEDEC MO-205, 5.5mm Wide |
| 74LVTH162244MEA | MS48A | 48-Lead Small Shrink Outline Package (SSOP), JEDEC MO-118, 0.300" Wide [Tube] |
| 74LVTH162244MEX | MS48A | 48-Lead Small Shrink Outline Package (SSOP), JEDEC MO-118, 0.300" Wide [Tape and Reel] |
| 74LVTH162244MTD | MTD48 | 48-Lead Thin Shrink Small Outline Package (TSSOP), JEDEC MO-153, 6.1mm Wide [Tube] |
| 74LVTH162244MTX | MTD48 | 48-Lead Thin Shrink Small Outline Package (TSSOP), JEDEC MO-153, 6.1mm Wide [Tape and Reel] |

Note 1: Ordering code "G" indicates Trays.

Note 2: Devices also available in Tape and Reel. Specify by appending the suffix letter "X" to the ordering code.

Logic Symbol

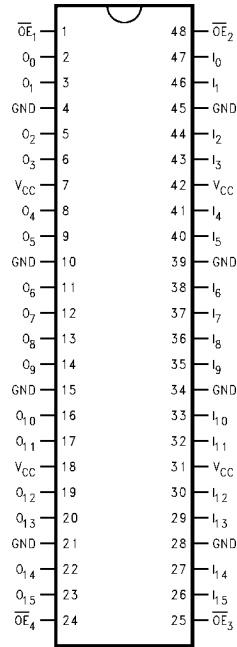


Pin Descriptions

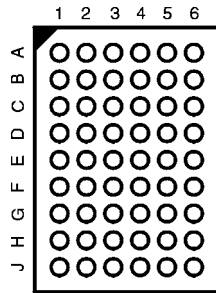
| Pin Names | Description |
|-------------------|-----------------------------------|
| \overline{OE}_n | Output Enable Inputs (Active LOW) |
| I_0-I_{15} | Inputs |
| O_0-O_{15} | Outputs |
| NC | No Connect |

Connection Diagrams

Pin Assignment for SSOP and TSSOP



Pin Assignment for FBGA



(Top Thru View)

FBGA Pin Assignments

| | 1 | 2 | 3 | 4 | 5 | 6 |
|----------|----------|----------|-------------------|-------------------|----------|----------|
| A | O_0 | NC | \overline{OE}_1 | \overline{OE}_2 | NC | I_0 |
| B | O_2 | O_1 | NC | NC | I_1 | I_2 |
| C | O_4 | O_3 | V_{CC} | V_{CC} | I_3 | I_4 |
| D | O_6 | O_5 | GND | GND | I_5 | I_6 |
| E | O_8 | O_7 | GND | GND | I_7 | I_8 |
| F | O_{10} | O_9 | GND | GND | I_9 | I_{10} |
| G | O_{12} | O_{11} | V_{CC} | V_{CC} | I_{11} | I_{12} |
| H | O_{14} | O_{13} | NC | NC | I_{13} | I_{14} |
| J | O_{15} | NC | \overline{OE}_4 | \overline{OE}_3 | NC | I_{15} |

Truth Table

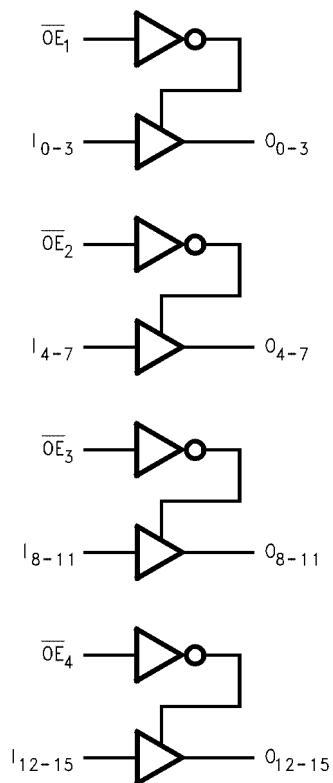
| Inputs | | Outputs |
|-------------------|-----------------|-----------------|
| \overline{OE}_1 | I_0-I_3 | O_0-O_3 |
| L | L | L |
| L | H | H |
| H | X | Z |
| \overline{OE}_2 | I_4-I_7 | O_4-O_7 |
| L | L | L |
| L | H | H |
| H | X | Z |
| \overline{OE}_3 | I_8-I_{11} | O_8-O_{11} |
| L | L | L |
| L | H | H |
| H | X | Z |
| \overline{OE}_4 | $I_{12}-I_{15}$ | $O_{12}-O_{15}$ |
| L | L | L |
| L | H | H |
| H | X | Z |

H = HIGH Voltage Level L = LOW Voltage Level
 Z = High Impedance X = Immaterial

Functional Description

The LVT162244 and LVTH162244 contain sixteen non-inverting buffers with 3-STATE outputs. The device is nibble (4 bits) controlled with each nibble functioning identically, but independent of the other. The control pins can be shorted together to obtain full 16-bit operation.

Logic Diagram



Absolute Maximum Ratings (Note 3)

| Symbol | Parameter | Value | Conditions | Units |
|-----------|----------------------------------|--------------|--------------------------------------|--------------------|
| V_{CC} | Supply Voltage | -0.5 to +4.6 | | V |
| V_I | DC Input Voltage | -0.5 to +7.0 | | V |
| V_O | Output Voltage | -0.5 to +7.0 | Output in 3-STATE | V |
| | | -0.5 to +7.0 | Output in HIGH or LOW State (Note 4) | |
| I_{IK} | DC Input Diode Current | -50 | $V_I < \text{GND}$ | mA |
| I_{OK} | DC Output Diode Current | -50 | $V_O < \text{GND}$ | mA |
| I_O | DC Output Current | 64 | $V_O > V_{CC}$ Output at HIGH State | mA |
| | | 128 | $V_O > V_{CC}$ Output at LOW State | |
| I_{CC} | DC Supply Current per Supply Pin | ± 64 | | mA |
| I_{GND} | DC Ground Current per Ground Pin | ± 128 | | mA |
| T_{STG} | Storage Temperature | -65 to +150 | | $^{\circ}\text{C}$ |

Recommended Operating Conditions

| Symbol | Parameter | Min | Max | Units |
|---------------------|--|-----|-----|--------------------|
| V_{CC} | Supply Voltage | 2.7 | 3.6 | V |
| V_I | Input Voltage | 0 | 5.5 | V |
| I_{OH} | HIGH-Level Output Current | | -12 | mA |
| I_{OL} | LOW-Level Output Current | | 12 | mA |
| T_A | Free Air Operating Temperature | -40 | +85 | $^{\circ}\text{C}$ |
| $\Delta t/\Delta V$ | Input Edge Rate, $V_{IN} = 0.8\text{V}-2.0\text{V}$, $V_{CC} = 3.0\text{V}$ | 0 | 10 | ns/V |

Note 3: Absolute Maximum continuous ratings are those values beyond which damage to the device may occur. Exposure to these conditions or conditions beyond those indicated may adversely affect device reliability. Functional operation under absolute maximum rated conditions is not implied.

Note 4: I_O Absolute Maximum Rating must be observed.

DC Electrical Characteristics

| Symbol | Parameter | V_{CC} (V) | $T_A = -40^{\circ}\text{C}$ to $+85^{\circ}\text{C}$ | | Units | Conditions | |
|---------------------------|---|-----------------|--|-----------|---------------|--|-------------------------------|
| | | | Min | Max | | | |
| V_{IK} | Input Clamp Diode Voltage | 2.7 | | -1.2 | V | $I_I = -18\text{ mA}$ | |
| V_{IH} | Input HIGH Voltage | 2.7-3.6 | 2.0 | | V | $V_O \leq 0.1\text{V}$ or $V_O \geq V_{CC} - 0.1\text{V}$ | |
| V_{IL} | Input LOW Voltage | 2.7-3.6 | | 0.8 | V | | |
| V_{OH} | Output HIGH Voltage | 2.7-3.6 | $V_{CC}-0.2$ | | V | $I_{OH} = -100\ \mu\text{A}$ | |
| | | 3.0 | 2.0 | | | $I_{OH} = -12\text{ mA}$ | |
| V_{OL} | Output LOW Voltage | 2.7 | | 0.2 | V | $I_{OL} = 100\ \mu\text{A}$ | |
| | | 3.0 | | 0.8 | | $I_{OL} = 12\text{ mA}$ | |
| $I_{I(HOLD)}$ (Note 5) | Bushold Input Minimum Drive | 3.0 | 75 | | μA | $V_I = 0.8\text{V}$ | |
| | | | -75 | | | $V_I = 2.0\text{V}$ | |
| $I_{I(OD)}$ (Note 5) | Bushold Input Over-Drive Current to Change State | 3.0 | 500 | | μA | (Note 6) | |
| | | | -500 | | | (Note 7) | |
| I_I | Input Current | 3.6 | | 10 | μA | $V_I = 5.5\text{V}$ | |
| | | Control Pins | 3.6 | | | ± 1 | $V_I = 0\text{V}$ or V_{CC} |
| | | Data Pins | 3.6 | | | -5 | $V_I = 0\text{V}$ |
| | | | | 1 | | $V_I = V_{CC}$ | |
| I_{OFF} | Power Off Leakage Current | 0 | | ± 100 | μA | $0\text{V} \leq V_I$ or $V_O \leq 5.5\text{V}$ | |
| $I_{PU/PD}$ | Power Up/Down | | | | μA | $V_O = 0.5\text{V}$ to 3.0V | |
| | 3-STATE Current | 0-1.5V | | ± 100 | μA | $V_I = \text{GND}$ or V_{CC} | |
| I_{OZL} | 3-STATE Output Leakage Current | 3.6 | | -5 | μA | $V_O = 0.5\text{V}$ | |
| I_{OZH} | 3-STATE Output Leakage Current | 3.6 | | 5 | μA | $V_O = 3.0\text{V}$ | |
| I_{OZH+} | 3-STATE Output Leakage Current | 3.6 | | 10 | μA | $V_{CC} < V_O \leq 5.5\text{V}$ | |
| I_{CCH} | Power Supply Current | 3.6 | | 0.19 | mA | Outputs HIGH | |
| I_{CCL} | Power Supply Current | 3.6 | | 5 | mA | Outputs LOW | |
| I_{CCZ} | Power Supply Current | 3.6 | | 0.19 | mA | Outputs Disabled | |

DC Electrical Characteristics (Continued)

| Symbol | Parameter | V _{CC} (V) | T _A = -40°C to +85°C | | Units | Conditions |
|-------------------------------|--|------------------------|---------------------------------|------|-------|---|
| | | | Min | Max | | |
| I _{CCZ} ⁺ | Power Supply Current | 3.6 | | 0.19 | mA | V _{CC} ≤ V _O ≤ 5.5V, Outputs Disabled |
| ΔI _{CC} | Increase in Power Supply Current (Note 8) | 3.6 | | 0.2 | mA | One Input at V _{CC} - 0.6V Other Inputs at V _{CC} or GND |

Note 5: Applies to bushold versions only (74LVTH162244).

Note 6: An external driver must source at least the specified current to switch from LOW-to-HIGH.

Note 7: An external driver must sink at least the specified current to switch from HIGH-to-LOW.

Note 8: This is the increase in supply current for each input that is at the specified voltage level rather than V_{CC} or GND.

Dynamic Switching Characteristics (Note 9)

| Symbol | Parameter | V _{CC} (V) | T _A = 25°C | | | Units | Conditions C _L = 50 pF, R _L = 500Ω |
|------------------|--|------------------------|-----------------------|------|-----|-------|---|
| | | | Min | Typ | Max | | |
| V _{OLP} | Quiet Output Maximum Dynamic V _{OL} | 3.3 | | 0.8 | | V | (Note 10) |
| V _{OLV} | Quiet Output Minimum Dynamic V _{OL} | 3.3 | | -0.8 | | V | (Note 10) |

Note 9: Characterized in SSOP package. Guaranteed parameter, but not tested.

Note 10: Max number of outputs defined as (n), n-1 data inputs are driven 0V to 3V. Output under test held LOW.

AC Electrical Characteristics

| Symbol | Parameter | T _A = -40°C to +85°C, C _L = 50 pF, R _L = 500Ω | | | | Units |
|-------------------|------------------------------------|--|-----|------------------------|-----|-------|
| | | V _{CC} = 3.3V ± 0.3V | | V _{CC} = 2.7V | | |
| | | Min | Max | Min | Max | |
| t _{PLH} | Propagation Delay Data to Output | 1.4 | 4.0 | 1.4 | 4.8 | ns |
| t _{PHL} | | 1.2 | 3.7 | 1.2 | 4.1 | |
| t _{PZH} | Output Enable Time | 1.2 | 5.1 | 1.2 | 6.5 | ns |
| t _{PZL} | | 1.4 | 5.4 | 1.4 | 6.9 | |
| t _{PHZ} | Output Disable Time | 2.0 | 5.0 | 2.0 | 5.4 | ns |
| t _{PLZ} | | 1.5 | 5.0 | 1.5 | 5.4 | |
| t _{OSHL} | Output to Output Skew (Note 11) | | 1.0 | | 1.0 | ns |
| t _{OSLH} | | | | | | |

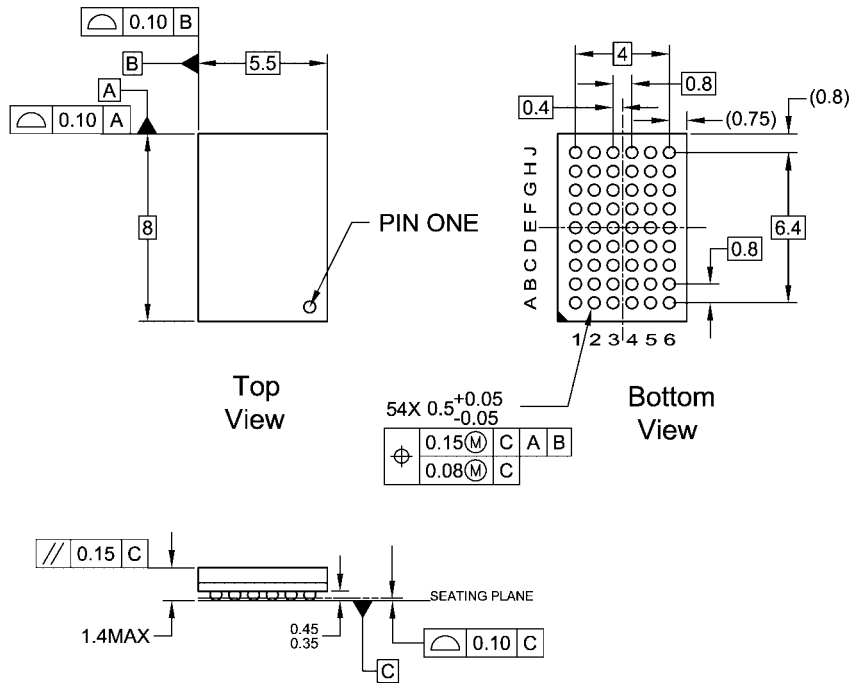
Note 11: Skew is defined as the absolute value of the difference between the actual propagation delay for any two separate outputs of the same device. The specification applies to any outputs switching in the same direction, either HIGH-to-LOW (t_{OSHL}) or LOW-to-HIGH (t_{OSLH}).

Capacitance (Note 12)

| Symbol | Parameter | Conditions | Typical | Units |
|------------------|--------------------|--|---------|-------|
| C _{IN} | Input Capacitance | V _{CC} = 0V, V _I = 0V or V _{CC} | 4 | pF |
| C _{OUT} | Output Capacitance | V _{CC} = 3.0V, V _O = 0V or V _{CC} | 8 | pF |

Note 12: Capacitance is measured at frequency f = 1 MHz, per MIL-STD-883, Method 3012.

Physical Dimensions inches (millimeters) unless otherwise noted



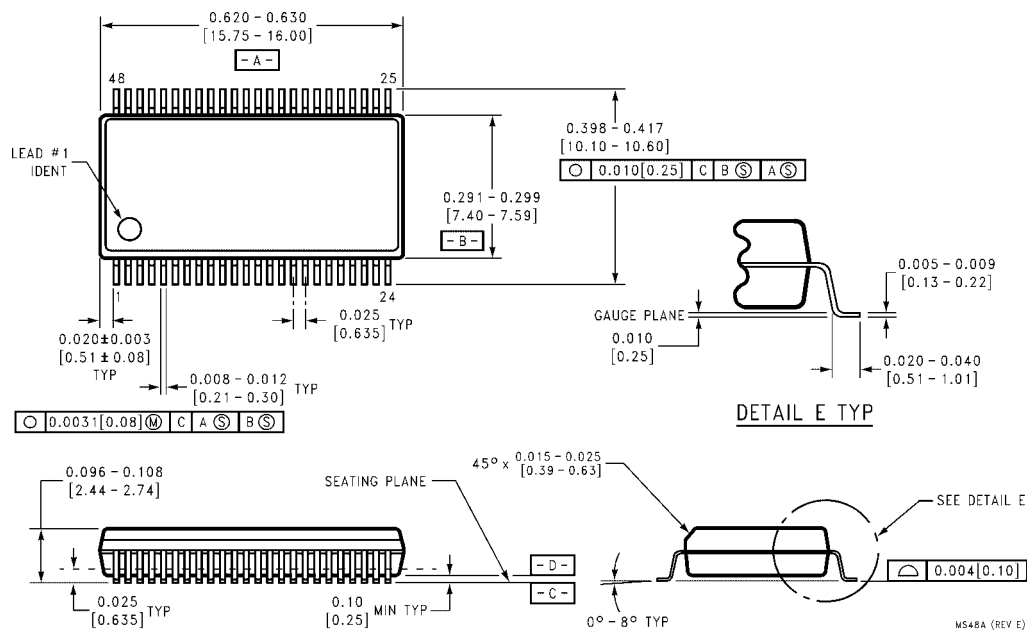
NOTES:

- A. THIS PACKAGE CONFORMS TO JEDEC M0-205
- B. ALL DIMENSIONS IN MILLIMETERS
- C. LAND PATTERN RECOMMENDATION: NSMD (Non Solder Mask Defined)
.35MM DIA PADS WITH A SOLDERMASK OPENING OF .45MM CONCENTRIC TO PADS
- D. DRAWING CONFORMS TO ASME Y14.5M-1994

BGA54ArevD

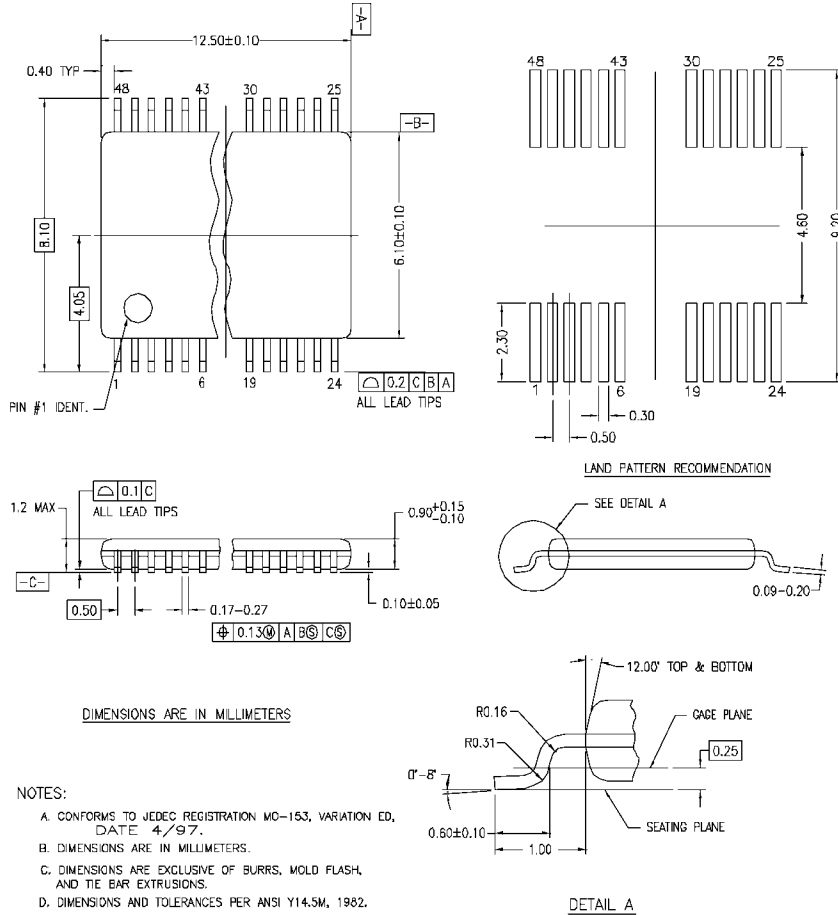
**54-Ball Fine-Pitch Ball Grid Array (FBGA), JEDEC MO-205, 5.5mm Wide
Package Number BGA54A**

Physical Dimensions inches (millimeters) unless otherwise noted (Continued)



**48-Lead Small Shrink Outline Package (SSOP), JEDEC MO-118, 0.300" Wide
Package Number MS48A**

Physical Dimensions inches (millimeters) unless otherwise noted (Continued)



MTD48REV C

48-Lead Thin Shrink Small Outline Package (TSSOP), JEDEC MO-153, 6.1mm Wide Package Number MTD48

Fairchild does not assume any responsibility for use of any circuitry described, no circuit patent licenses are implied and Fairchild reserves the right at any time without notice to change said circuitry and specifications.

LIFE SUPPORT POLICY

FAIRCHILD'S PRODUCTS ARE NOT AUTHORIZED FOR USE AS CRITICAL COMPONENTS IN LIFE SUPPORT DEVICES OR SYSTEMS WITHOUT THE EXPRESS WRITTEN APPROVAL OF THE PRESIDENT OF FAIRCHILD SEMICONDUCTOR CORPORATION. As used herein:

- Life support devices or systems are devices or systems which, (a) are intended for surgical implant into the body, or (b) support or sustain life, and (c) whose failure to perform when properly used in accordance with instructions for use provided in the labeling, can be reasonably expected to result in a significant injury to the user.
- A critical component in any component of a life support device or system whose failure to perform can be reasonably expected to cause the failure of the life support device or system, or to affect its safety or effectiveness.

www.fairchildsemi.com