

6

5

4

3

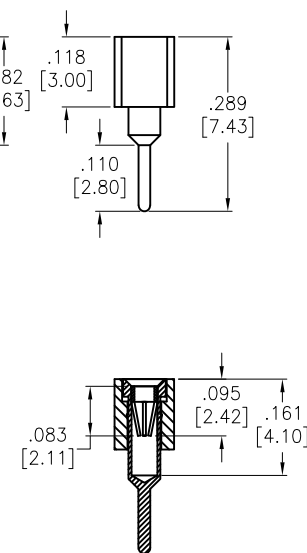
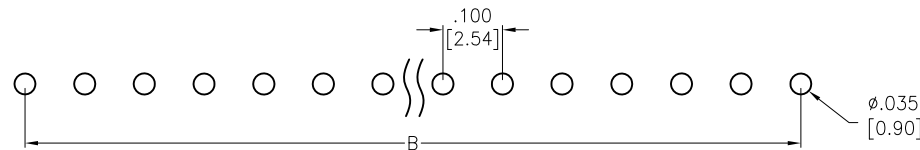
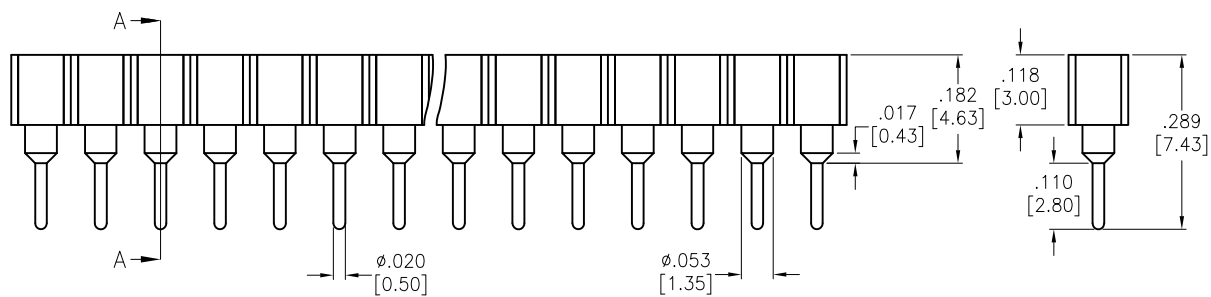
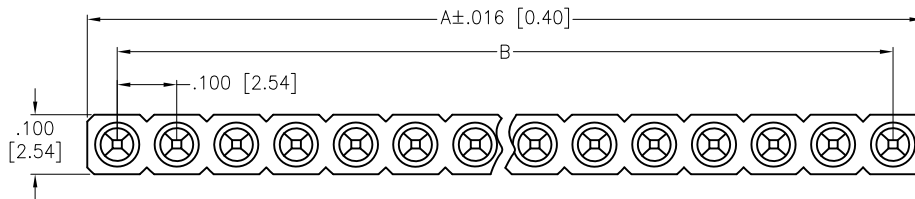
2

1

APPROVED: _____

DATE: _____ TITLE: _____

Rev	AWO #	Description	Date	Appr
-		RELEASED	2/12/15	
A		ADDED SECTION A-A	8/14/17	AY/MC



RECOMMENDED PCB LAYOUT

SECTION A-A

SPECIFICATIONS:

Material:
 Insulator: (PPS) Hi-Temp Thermoplastic, rated UL 94V-0
 Insulator color: Black
 Pin (Outer Sleeve): Brass
 Clip (Contact 4 finger): Beryllium Copper
 Plating:
 Inner contact: Gold flash over Nickel underplate
 Outer sleeve: Tin over Nickel underplate overall
 Electrical:
 Operating voltage: 60VAC/DC
 Current rating: 3 Amps/contact max.
 Current resistance: ≤ 4mΩ / contact
 Insulation resistance: ≥ 1,000MΩ at 100 V
 Mechanical:
 Operating temperature: Gold plated: -55°C to + 105°C
 Tin plated: -40°C to + 105°C
 Average insertion force: < 250g
 With steel pin of ø.017 [0.43mm]
 Average withdrawal force: > 90g min.
 With steel pin of ø.017 [0.43mm]
 Mechanical life: 200 Cycle min.
 Environmental:
 Lead free, RoHS compliant

A = .100 [2.54] x No. of Positions
 B = .100 [2.54] x No. of Spaces

UNLESS OTHERWISE SPECIFIED ALL DIMENSIONS ARE INCHES [MM] TOLERANCES: EXCEPT AS NOTED			
INCHES		HOLES	
.X	± .10	Ø.X	± .10
.XX	± .020	Ø.XX	± .015
.XXX	± .015	Ø.XXX	± .010

ADAM TECH

909 Rahway Avenue, Union, NJ 07083
 Phone: 908-687-5000 Fax: 908-687-5710

TITLE: SCREW MACHINE CONTACT SOCKET,
 PCB TYPE, .100" SPACING, GOLD/TIN PLATED

APPROVALS		DATE
DRAWN	AY	2/12/15
CHECKED	KW	2/12/15
APPROVED		

SIZE	PART NO.	REV.
X	SMC-1A-XX-1-GT-HT	A
REF: S00145C	SCALE: NTS	SHEET 1 OF 1



6

5

4

3

2

1