

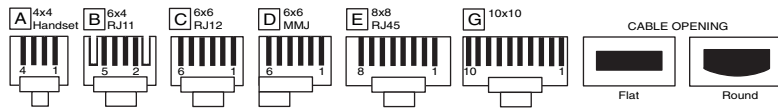
Distributed by:

JAMECO[®]
ELECTRONICS

www.Jameco.com ♦ 1-800-831-4242

The content and copyrights of the attached
material are the property of its owner.

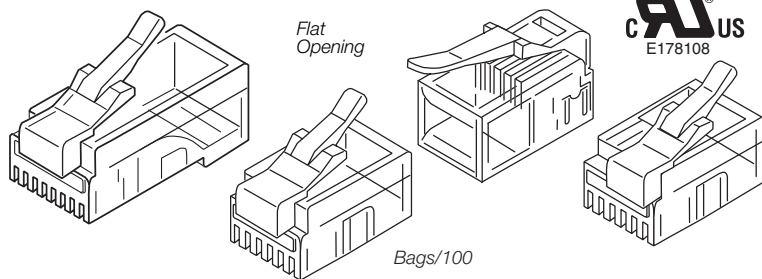
Jameco Part Number 79281



Flat-Cable Modular Plugs

0.35mm-thick Phosphor-Bronze Contacts
 6µ" 24K Gold-Plated
 Terminates AWG24-26 flat stranded cable
 High-Impact Clear Polycarbonate Plugs
 UL and Non-UL Versions

- 300-060** 10C 10x10 Modular Plug G
- 300-062** 4C 4x4 Handset Plug A
- 300-064** 4C 6x4 RJ11 Modular Plug B
- 300-066** 6C 6x6 RJ12 Modular Plug C
- 300-067** 6C 6x6 RJ12 DEC MMJ Plug D
- 300-068** 8C 8x8 RJ45 Modular Plug E
- 301-064** 4C 6x4 RJ11 Modular Plug UL B
- 301-066** 6C 6x6 RJ12 Modular Plug UL C
- 301-068** 8C 8x8 RJ45 Modular Plug UL E

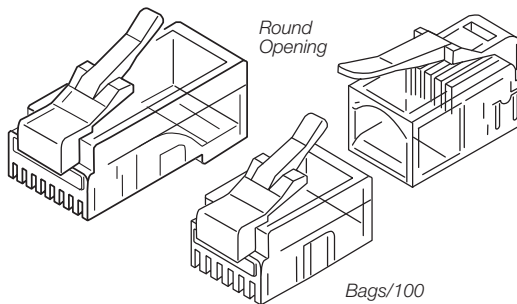


- 300-060** 10x10 Flat-Stranded
- 300-062** 4x4 Flat-Stranded
- 300-064** 6x4 Flat-Stranded
- 300-066** 6x6 Flat-Stranded
- 300-067** 6x6 DEC Flat-Stranded
- 300-068** 8x8 Flat-Stranded
- 301-064** 4x4 Flat-Stranded UL
- 301-066** 6x6 Flat-Stranded UL
- 301-068** 8x8 Flat-Stranded UL

Round-Cable Modular Plugs

0.35mm-thick Phosphor-Bronze Contacts
 6µ" 24K Gold-Plated
 Terminates AWG24-26 Round Solid Cable
 High-Impact Clear Polycarbonate Plugs

- 300-160** 10C10x10 Round-Solid-Wire Plug G
- 300-164** 4C 6x4 RJ11 Round-Solid Plug B
- 300-166** 6C 6x6 RJ12 Round-Solid Plug C
- 300-168** 8C 8x8 RJ45 Round-Solid Plug E
- 300-170** 8C 8x8 RJ45 Round-Stranded Plug E

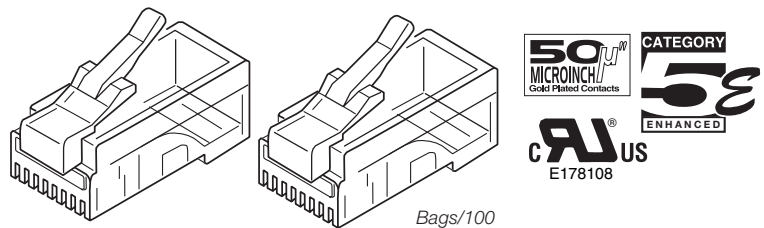


- 300-160** 10x10 Round-Solid
- 300-164** 6x4 Round-Solid
- 300-166** 6x6 Round-Solid
- 300-168** 8x8 Round-Solid
- 300-170** 8x8 Round-Stranded

CAT5E RJ45 Modular Plugs

Suitable for Category-5E Cable Installations
 0.35mm-thick Phosphor-Bronze Contacts
 50µ" Hard-Gold Plating over 50-100µ" Nickel
 Conforms to FCC Part 68 requirements
 Terminates AWG24-28 solid/stranded cable
 High-Impact Clear Polycarbonate Plugs
 Flame Auto-Extinguish Level UL94V-0

- 301-172** 8x8 RJ45 Round-Stranded Plug E
- 301-176** 8x8 RJ45 Round-Solid Cable Plug 2-Prong E
- 301-178** 8x8 RJ45 Round-Solid Cable Plug 3-Prong E

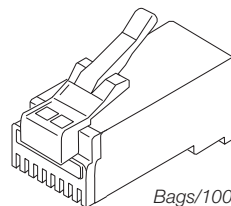


- 301-172** 8x8 Round or Flat-Stranded
- 301-176** 8x8 2-Prong Round-Solid
- 301-178** 8x8 3-Prong Round-Solid

Shielded RJ45 Modular Plugs

Suitable for Category-5E Cable Installations
 0.35mm-thick Phosphor-Bronze Contacts
 50µ" Hard Gold Plating over 50-100µ" Nickel Plating
 Terminates AWG24-28 Solid or Stranded Cable
 High-Impact Clear Polycarbonate Housing
 Flame Auto-Extinguish Level UL94V-0

- 301-182** 8x8 RJ45 Round-Stranded Plug E
- 301-188** 8x8 RJ45 Round-Solid Plug 3-Prong E



- 301-182** 8x8 Round or Flat-Stranded
- 301-188** 8x8 3-Prong Round-Solid