

Distributed by:

**JAMECO**<sup>®</sup>  
ELECTRONICS

**www.Jameco.com ♦ 1-800-831-4242**

The content and copyrights of the attached  
material are the property of its owner.

Jameco Part Number 794007

## FEATURES AND SPECIFICATIONS

### Features and Benefits

- Available with or without retention pegs
- Gull wing surface mount tails
- Vapor phase/IR reflow process compatible
- Stackable end-to-end (on unbroken edges)
- Drawn .025" square wire provides 4-sided smooth interface

### Reference Information

Product Specification: PS-71308

Packaging: Tube or tape and reel\*

UL File No.: E29179 (H)

CSA File No.: LR19980A

Mates With: 7859 Shunts, C-Grid Receptacles, SL Crimp and IDT Housings

Designed In: Inches

\* Contact Molex for tape and reel order numbers

### Electrical

Voltage: 250V

Current: 3.0A

Contact Resistance: 15mΩ max.

Dielectric Withstanding Voltage: 1500V

Insulation Resistance: 1000 MΩ min.

### Mechanical

Pin Retention to Header: 17.79N (4 lb)

Insertion Force to PCB: 35.58N (8 lb) per peg

Durability: 25 cycles Tin/Lead and 50 cycles Gold

### Physical

Housing: High temperature thermoplastic, UL 94V-0

Contact: Phosphor Bronze

Plating: See Table

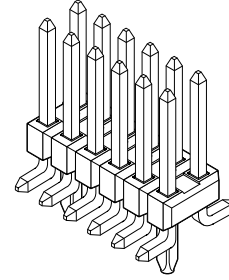
Operating Temperature: -40 to +105°C

Screened Paste Thickness: .010 to .015"

# molex® 2.54mm (.100") Pitch C-Grid® Breakaway Header

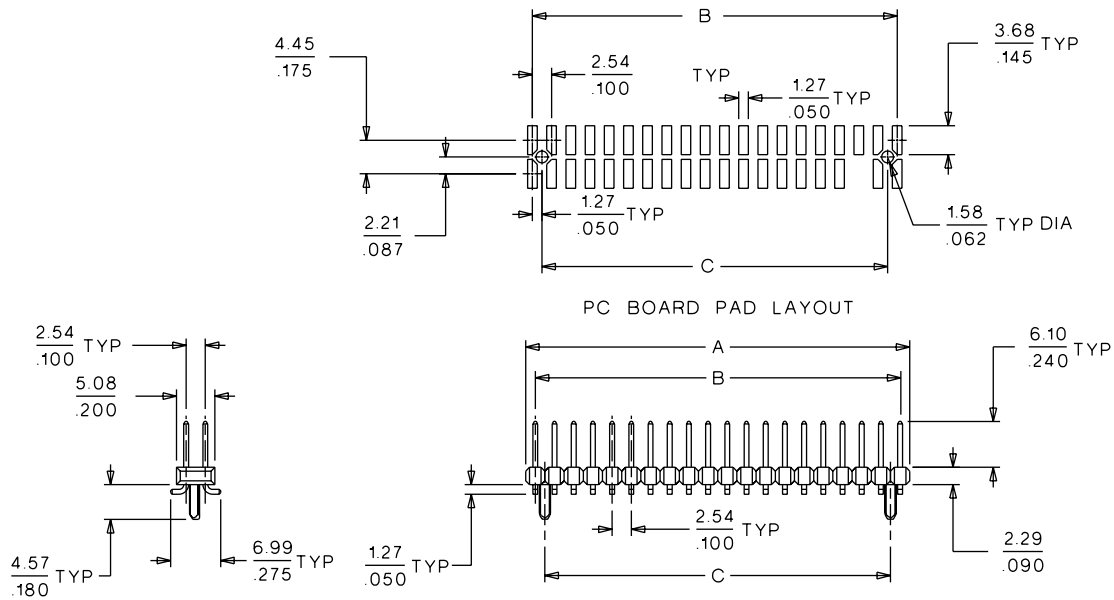
## 71308

## Dual Row, SMT, Vertical With or Without Peg



## CATALOG DRAWING (FOR REFERENCE ONLY)

Not For Use With Molex C-Grid III™ Components



## ORDERING INFORMATION AND DIMENSIONS

Circuits	Dimension		
	A	B	C
4	5.08 (.200)	2.54 (.100)	
6	7.62 (.300)	5.08 (.200)	2.54 (.100)
8	10.16 (.400)	7.62 (.300)	5.08 (.200)
10	12.70 (.500)	10.16 (.400)	7.62 (.300)
12	15.24 (.600)	12.70 (.500)	10.16 (.400)
14	17.78 (.700)	15.24 (.600)	12.70 (.500)
16	20.32 (.800)	17.78 (.700)	15.24 (.600)
18	22.86 (.900)	20.32 (.800)	17.78 (.700)
20	25.40 (1.000)	22.86 (.900)	20.32 (.800)
22	27.94 (1.100)	25.40 (1.000)	22.86 (.900)
24	30.48 (1.200)	27.94 (1.100)	25.40 (1.000)
26	33.02 (1.300)	30.48 (1.200)	27.94 (1.100)
28	35.56 (1.400)	33.02 (1.300)	30.48 (1.200)
30	38.10 (1.500)	35.56 (1.400)	33.02 (1.300)
32	40.64 (1.600)	38.10 (1.500)	35.56 (1.400)
34	43.18 (1.700)	40.64 (1.600)	38.10 (1.500)
36	45.72 (1.800)	43.18 (1.700)	40.64 (1.600)

Circuits	Dimension		
	A	B	C
38	48.26 (1.900)	45.72 (1.800)	43.18 (1.700)
40	50.80 (2.000)	48.26 (1.900)	45.72 (1.800)
42	53.34 (2.100)	50.80 (2.000)	48.26 (1.900)
44	55.88 (2.200)	53.34 (2.100)	50.80 (2.000)
46	58.42 (2.300)	55.88 (2.200)	53.34 (2.100)
48	60.96 (2.400)	58.42 (2.300)	55.88 (2.200)
50	63.50 (2.500)	60.96 (2.400)	58.42 (2.300)
52	66.04 (2.600)	63.50 (2.500)	60.96 (2.400)
54	68.58 (2.700)	66.04 (2.600)	63.50 (2.500)
56	71.12 (2.800)	68.58 (2.700)	66.04 (2.600)
58	73.66 (2.900)	71.12 (2.800)	68.58 (2.700)
60	76.20 (3.000)	73.66 (2.900)	71.12 (2.800)
62	78.74 (3.100)	76.20 (3.000)	73.66 (2.900)
64	81.28 (3.200)	78.74 (3.100)	76.20 (3.000)
66	83.82 (3.300)	81.28 (3.200)	78.74 (3.100)
68	86.36 (3.400)	83.82 (3.300)	81.28 (3.200)
70	88.90 (3.500)	86.36 (3.400)	83.82 (3.300)

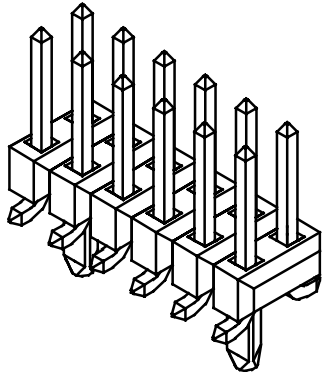
Circuits	Dimension		
	A	B	C
72	91.44 (3.600)	88.90 (3.500)	86.36 (3.400)
74	93.98 (3.700)	91.44 (3.600)	88.90 (3.500)
76	96.52 (3.800)	93.98 (3.700)	91.44 (3.600)
78	99.06 (3.900)	96.52 (3.800)	93.98 (3.700)
80	101.60 (4.000)	99.06 (3.900)	96.52 (3.800)

Plating Option	Order No.	
	Without PCB Retention Pegs	With PCB Retention Pegs
15μ" min. select Gold	15-91-0XX0	15-91-1XX2
30μ" min. select Gold	15-91-3XX0	15-91-1XX3
150μ" min. Tin	15-91-2XX0	15-91-1XX1

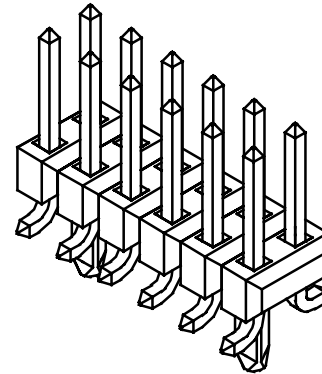
Replace XX with no. of circuits, 04-80 (even only)



# PRODUCT SPECIFICATION



**SERIES 71308**



**SERIES 79168**

## C-GRID® SMT .100" GRID DUAL ROW HEADERS SERIES 71308 AND 79168

- 1.0 SCOPE
- 2.0 PRODUCT DESCRIPTION
  - 2.1 PRODUCT NAME AND SERIES NUMBERS
  - 2.2 DIMENSIONS, MATERIALS, PLATINGS AND MARKINGS
  - 2.3 SAFETY AGENCY APPROVALS
- 3.0 APPLICABLE DOCUMENTS AND SPECIFICATIONS
  - 3.1 MOLEX DOCUMENTS
  - 3.2 OTHER DOCUMENTS
- 4.0 RATINGS
  - 4.1 VOLTAGE
  - 4.2 CURRENT
  - 4.3 TEMPERATURE
- 5.0 PERFORMANCE
  - 5.1 ELECTRICAL REQUIREMENTS
  - 5.2 MECHANICAL REQUIREMENTS
  - 5.3 ENVIRONMENTAL REQUIREMENTS
- 6.0 PACKAGING

REVISION: <b>D1</b>	EGR/ECN INFORMATION: EC No: <b>UCP2005-2745</b> DATE: <b>2005/06/15</b>	TITLE: <b>.100" GRID VERTICAL DUAL ROW SURFACE MOUNT HEADERS</b>	SHEET No. <b>1 of 3</b>
DOCUMENT NUMBER: <b>PS-71308</b>	CREATED / REVISED BY: <b>NDUNNE</b>	CHECKED BY: <b>SMILLER</b>	APPROVED BY: <b>COMERCI</b>



# PRODUCT SPECIFICATION

## 1.0 SCOPE:

This specification covers C-Grid® dual row surface mount headers. They utilize a gull wing design for surface mounting. C-Grid® surface mount headers are offered in low profile and high profile versions. The high profile version (SERIES 79168) has the wafer positioned .025in (0.64mm) higher than the low profile (SERIES 71308). The mating pins are .025in (0.64mm) square on a .100in (2.54mm) grid.

## 2.0 PRODUCT DESCRIPTION:

### 2.1 PRODUCT NAME AND SERIES NUMBER(S)

2.1.1 SERIES 71308: Low profile vertical surface mount header.

2.1.2 SERIES 79168: High profile vertical surface mount header.

### DIMENSIONS, MATERIALS, PLATINGS AND MARKINGS

C-Grid® series 71308 and 79168 are available in circuit sizes of 4 through 80 circuits and is end to end stackable. The wafer is made from glass filled Liquid Crystal Polymer, (LCP) having a UL 94V-0 flammability rating. Mating pin lengths are .240in (6.0mm), and .320in (8.1mm) with gold or tin plating. Integral mounting pegs are offered in two lengths for each series as an option to aid assembly and/or retention during soldering. For further details, refer to sales document in section 3.1.

### 2.2 SAFETY AGENCY APPROVALS

2.2.1 UNDERWRITERS' LABORATORIES (UL) FILE NUMBER: E29179

2.2.2 CANADIAN STANDARDS ASSOCIATION (CSA) FILE NUMBER: LR19980

## 3.0 APPLICABLE DOCUMENTS AND SPECIFICATIONS

### 3.1 MOLEX DOCUMENTS

- SD--71308-001 SALES DRAWING FOR LOW PROFILE C-GRID® SMT HEADER
- SDA-79168-\*\*\*\* SALES DRAWING FOR HIGH PROFILE C-GRID® SMT HEADER
- PK-70873-0353 PACKAGING SPECIFICATION FOR BULK PACKAGED PRODUCT (CIRCUIT SIZES 4-8)
- PK-70873-0041 PACKAGING SPECIFICATION FOR TUBE PACKAGED PRODUCT (CIRCUIT SIZES 10-80)
- PK-70873-0691 PACKAGING SPECIFICATION FOR TUBE PACKAGED PRODUCT WITH PICK AND PLACE CAPS
- PK-70873-0805 PACKAGING SPECIFICATION FOR TAPE AND REEL PRODUCT WITH PICK AND PLACE CAPS

### 3.2 OTHER DOCUMENTS

MIL STD 202F

## 4.0 RATINGS

4.1 VOLTAGE: 250 Volts DC

4.2 CURRENT: 3.0 Amps (DC) max

### 4.3 TEMPERATURE

4.3.1 PROCESSING TEMPERATURE: 245°C max. intermittent.

4.3.2 OPERATING TEMPERATURE: -40°C to +120°C

REVISION: <b>D1</b>	EGR/ECN INFORMATION: EC No: <b>UCP2005-2745</b> DATE: <b>2005/06/15</b>	TITLE: <b>.100" GRID VERTICAL DUAL ROW SURFACE MOUNT HEADERS</b>	SHEET No. <b>2 of 3</b>
DOCUMENT NUMBER: <b>PS-71308</b>	CREATED / REVISED BY: <b>NDUNNE</b>	CHECKED BY: <b>SMILLER</b>	APPROVED BY: <b>COMERCI</b>



# PRODUCT SPECIFICATION

## 5.0 PERFORMANCE

### 5.1 ELECTRICAL REQUIREMENTS

- 5.1.1 INSULATION RESISTANCE: Greater than 1000MΩ
- 5.1.2 DIELECTRIC WITHSTANDING VOLTAGE: Greater than 600Volts at sea level.
- 5.1.3 TEMPERATURE RISE: 30°C max at rated current

### 5.2 MECHANICAL REQUIREMENTS

- 5.2.1 RETENTION PEGS (Optional Item)
  - 5.2.1.1 INSERTION FORCE: 8.0 lbs average per peg (.062in PCB hole)
  - 5.2.1.2 RETENTION FORCE: 4.0 lbs average per peg (.062in PCB hole)

### 5.3 ENVIRONMENTAL REQUIREMENTS

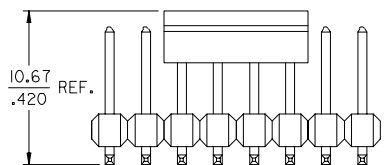
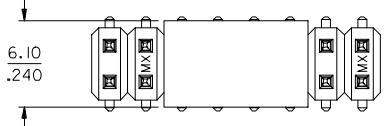
- 5.3.1 THERMAL SHOCK
  - 10 Cycles from -40°C to 105°C, ½ hour at each temperature setting.
- 5.3.2 CHEMICAL RESISTANCE
  - Per Mil. Std. 202F, Method 215A.

## 6.0 PACKAGING

Product is available in bulk pack, tube pack and tape and reel. Tape and reel packaging includes a pick-n-place cap, ideal for high volume robotic placement. The pick-n-place cap is optional for tube packaged product. Refer to section 3.1 for applicable packaging document.

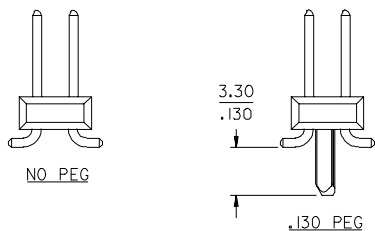
REVISION: <b>D1</b>	EGR/ECN INFORMATION: EC No: <b>UCP2005-2745</b> DATE: <b>2005/06/15</b>	TITLE: <b>.100" GRID VERTICAL DUAL ROW SURFACE MOUNT HEADERS</b>	SHEET No. <b>3 of 3</b>
DOCUMENT NUMBER: <b>PS-71308</b>	CREATED / REVISED BY: <b>NDUNNE</b>	CHECKED BY: <b>SMILLER</b>	APPROVED BY: <b>COMERCI</b>

**OPTIONAL  
PICK AND PLACE CAP**  
SEE NOTES 8 & 9.



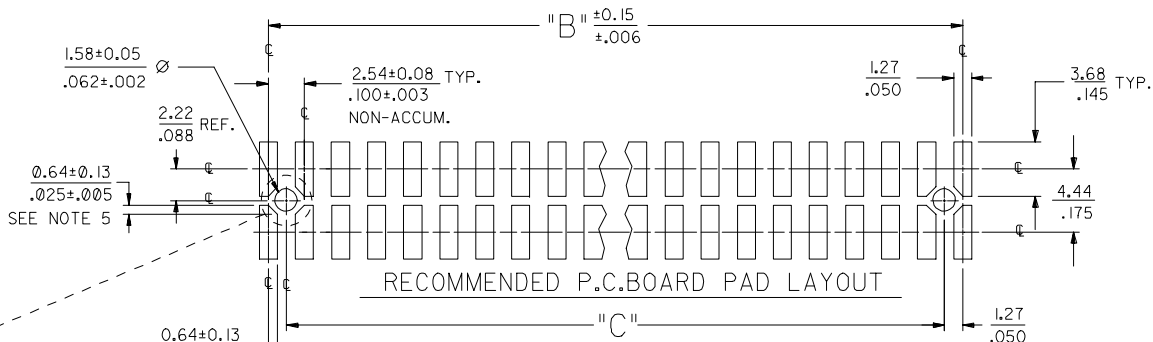
**FINISH:**

- TIN - .000150 MINMUM TIN OVER NICKEL OVER ALL
- 15 GOLD - .000015 MINMUM GOLD IN SELECT AREA OVER .000075 MINIMUM TIN IN SELECT AREA OVER NICKEL OVERALL
- 30 GOLD - .000030 MINMUM GOLD IN SELECT AREA OVER .000075 MINIMUM TIN IN SELECT AREA OVER NICKEL OVERALL
- 50 GOLD - .000050 MINMUM GOLD IN SELECT AREA OVER .0000100 MINIMUM TIN IN SELECT AREA OVER NICKEL OVERALL



**NOTES:**

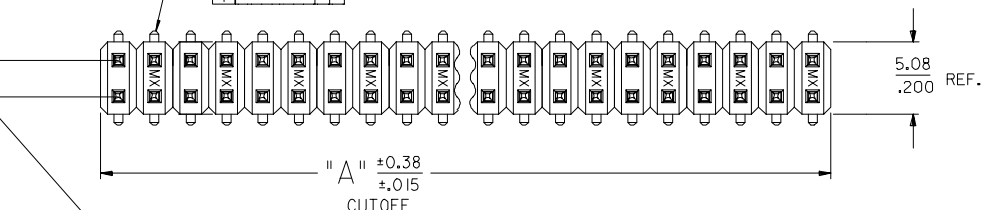
1. MATERIALS: INSULATOR: GLASS FILLED LIQUID CRYSTAL POLYMER (LCP), UL94 V-0, COLOR: BLACK  
TERMINAL: PHOSPHOR BRONZE
2. FINISHES: TERMINAL - SEE PLATING OPTIONS.
3. PART TO CONFORM TO PS-71308
4. PIN PUSHOUT FORCE: 3 LBS. MINMUM
5. TYP. DIMENSIONS FOR LANDS SURROUNDING HOLES FOR RETENTION PEGS.
6. PIN SOLDERABILITY PER MOLEX SPEC. ES-152.
7. SEE SHEETS 2-5 FOR CHARTED DIMS., PART/EDP NO'S, AND VOIDED CIRCUITS.
8. PACKAGING (SEE CHARTS):  
BULK: PER PK-70873-0353,  
TUBES: PER PK-70873-0041,  
PICK-N-PLACE: W/ VAC CAPS IN TUBES PER PK-70873-0691,  
TAPE AND REEL: WITH VAC CAPS PER PK-70873-0805.  
SEE SHEET 3 FOR TAPE & REEL PRODUCT WITH SHALLOW POCKET REQUIREMENTS.
9. PICK-N-PLACE CAPS WILL BE PLACED SO THAT VACUUM PICK UP AREA WILL BE IN CENTER OF PART.
10. COPLANARITY FOR CIRCUIT SIZES UP TO 40 IS 0.15 MM/.006 INCH. FOR CIRCUIT SIZES 42 AND LARGER, CONTACT MOLEX SALES DEPARTMENT.



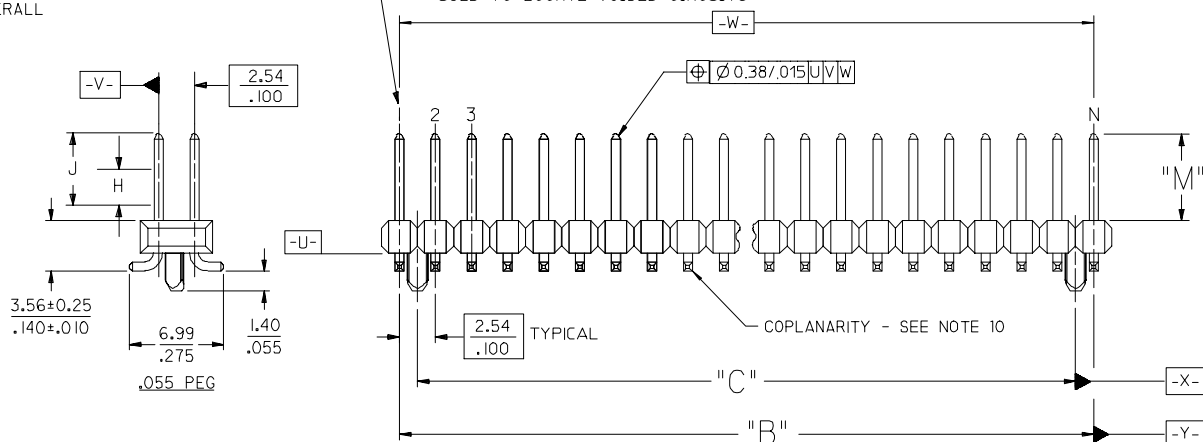
P.C. BOARD PAD LAYOUT AT ENDS FOR NO PEG VERSION.

ROW "A"  
ROW "B"

Ø 0.50/.020 U|X FOR PARTS WITH PEGS  
Ø 0.50/.020 U|Y FOR PARTS WITHOUT PEGS



USED TO LOCATE VOIDED CIRCUITS



NOTE FOR LEAD FREE CONVERSION:  
THE PRIMARY SHIPPING CARTON WILL BE LABELED 'COMPLIANT TO RoHS  
DIRECTIVE 2002/95/EC AND ELV ANNEX II OF DIRECTIVE 2000/53/EC'.  
CARTONS WITHOUT THIS LABEL MAY CONTAIN PRODUCT WITH LEAD.

5	I
4	H
3	H
2	H
1	I
SHI REV.	

ADD -6106/-6206 EC NO: UICP2006-1647 DRAWN:MSIBARRA 2006/02/28 CHKD:HSWART 2006/03/09 APPR:SMILLER 2006/03/10 REV:	QUALITY SYMBOLS ▽=0 ▽=0	GENERAL TOLERANCES (UNLESS SPECIFIED) mm INCH 4 PLACES ± --- ± --- 3 PLACES ± --- ±.005 2 PLACES ±.013 ±.01 1 PLACE ±.025 ± --- ANGULAR ±1/2°	DIMENSION STYLE MM/IN DRAWN BY DATE KMS 10/15/1999 CHECKED BY DATE KMS 10/15/1999 APPROVED BY DATE KMS 10/15/1999	SCALE 4:1 DESIGN UNITS INCH THIRD ANGLE PROJECTION	TITLE SALES ASSY INSULATOR DUAL ROW SMT W/BREAKOFF OPTION .025 SQ PINS, GULLWING, .100 GRID
		DRAFT WHERE APPLICABLE MUST REMAIN WITHIN DIMENSIONS	MATERIAL NO. SEE CHARTS SIZE C THIS DRAWING CONTAINS INFORMATION THAT IS PROPRIETARY TO MOLEX INCORPORATED AND SHOULD NOT BE USED WITHOUT WRITTEN PERMISSION	MOLEX INCORPORATED DOCUMENT NO. SD-71308-001 SHEET NO. 1 OF 5	

	13	12	11	10	9	8	7	6	5	4	3	2	1				
J		PACKAGING SEE NOTE 8 SHT	4-6 CKT 8-100 CKT	BULK TUBES	TAPE-N-REEL TAPE-N-REEL	N/A PICK-N-PLACE	BULK TUBES	TAPE-N-REEL TAPE-N-REEL	N/A PICK-N-PLACE	BULK TUBES	TAPE-N-REEL TAPE-N-REEL	N/A PICK-N-PLACE	BULK TUBES	BULK TUBES	J		
					6.10 (.240)		6.10 (.240)			6.10 (.240)			8.13 (.320)	8.13 (.320)			
		PLATING		TIN			15 GOLD			30 GOLD			15 GOLD	30 GOLD			
		DIM. H		2.54 (.100)			2.54 (.100)			2.54 (.100)			4.57 (.180)	4.57 (.180)			
		DIM. J		5.08 (.200)			5.08 (.200)			5.08 (.200)			7.11 (.280)	7.11 (.280)			
CKTS		DIM. A		DIM. B		EDP NUMBER	EDP NUMBER	EDP NUMBER	EDP NUMBER	EDP NUMBER	EDP NUMBER	EDP NUMBER	EDP NUMBER	EDP NUMBER	CKTS		
		MM	IN	MM	IN												
I	04	5.08	.200	2.54	.100	015-91-2040	015-91-6040	N/A	015-91-0040	015-91-6042	N/A	015-91-3040	015-91-6043	N/A	015-91-0048	015-91-5049	04
	06	7.62	.300	5.08	.200	015-91-2060	015-91-6060	N/A	015-91-0060	015-91-6062	N/A	015-91-3060	015-91-6063	N/A	015-91-0068	015-91-5069	06
H	08	10.16	.400	7.62	.300	015-91-2080	015-91-6080	015-91-3087	015-91-0080	015-91-6082	015-91-3086	015-91-3080	015-91-6083	015-91-3088	015-91-0088	015-91-5089	08
	10	12.70	.500	10.16	.400	015-91-2100	015-91-6100	015-91-3107	015-91-0100	015-91-6102	015-91-3106	015-91-3100	015-91-6103	015-91-3108	015-91-0108	015-91-5109	10
G	12	15.24	.600	12.70	.500	015-91-2120		015-91-3127	015-91-0120		015-91-3126	015-91-3120		015-91-3128	015-91-0128	015-91-5129	12
	14	17.78	.700	15.24	.600	015-91-2140	015-91-6140	015-91-3147	015-91-0140	015-91-6142	015-91-3146	015-91-3140	015-91-6143	015-91-3148	015-91-0148	015-91-5149	14
F	16	20.32	.800	17.78	.700	015-91-2160	015-91-6160	015-91-3167	015-91-0160	015-91-6162	015-91-3166	015-91-3160	015-91-6163	015-91-3168	015-91-0168	015-91-5169	16
	18	22.86	.900	20.32	.800	015-91-2180		015-91-3187	015-91-0180		015-91-3186	015-91-3180		015-91-3188	015-91-0188	015-91-5189	18
E	20	25.40	1.000	22.86	.900	015-91-2200	015-91-6200	015-91-3207	015-91-0200	015-91-6202	015-91-3206	015-91-3200	015-91-6203	015-91-3208	015-91-0208	015-91-5209	20
	22	27.94	1.100	25.40	1.000	015-91-2220		015-91-3227	015-91-0220		015-91-3226	015-91-3220		015-91-3228	015-91-0228	015-91-5229	22
D	24	30.48	1.200	27.94	1.100	015-91-2240		015-91-3247	015-91-0240		015-91-3246	015-91-3240		015-91-3248	015-91-0248	015-91-5249	24
	26	33.02	1.300	30.48	1.200	015-91-2260		015-91-3267	015-91-0260		015-91-3266	015-91-3260		015-91-3268	015-91-0268	015-91-5269	26
C	28	35.56	1.400	33.02	1.300	015-91-2280		015-91-3287	015-91-0280		015-91-3286	015-91-3280		015-91-3288	015-91-0288	015-91-5289	28
	30	38.10	1.500	35.56	1.400	015-91-2300		015-91-3307	015-91-0300		015-91-3306	015-91-3300		015-91-3308	015-91-0308	015-91-5309	30
B	32	40.64	1.600	38.10	1.500	015-91-2320		015-91-3327	015-91-0320		015-91-3326	015-91-3320		015-91-3328	015-91-0328	015-91-5329	32
	34	43.18	1.700	40.64	1.600	015-91-2340		015-91-3347	015-91-0340		015-91-3346	015-91-3340		015-91-3348	015-91-0348	015-91-5349	34
A	36	45.72	1.800	43.18	1.700	015-91-2360		015-91-3367	015-91-0360		015-91-3366	015-91-3360		015-91-3368	015-91-0368	015-91-5369	36
	38	48.26	1.900	45.72	1.800	015-91-2380		015-91-3387	015-91-0380		015-91-3386	015-91-3380		015-91-3388	015-91-0388	015-91-5389	38
Z	40	50.80	2.000	48.26	1.900	015-91-2400	015-91-6400	015-91-3407	015-91-0400	015-91-6402	015-91-3406	015-91-3400	015-91-6403	015-91-3408	015-91-0408	015-91-5409	40
	42	53.34	2.100	50.80	2.000	015-91-2420		015-91-3427	015-91-0420		015-91-3426	015-91-3420		015-91-3428	015-91-0428	015-91-5429	42
Y	44	55.88	2.200	53.34	2.100	015-91-2440		015-91-3447	015-91-0440		015-91-3446	015-91-3440		015-91-3448	015-91-0448	015-91-5449	44
	46	58.42	2.300	55.88	2.200	015-91-2460		015-91-3467	015-91-0460		015-91-3466	015-91-3460		015-91-3468	015-91-0468	015-91-5469	46
X	48	60.96	2.400	58.42	2.300	015-91-2480		015-91-3487	015-91-0480		015-91-3486	015-91-3480		015-91-3488	015-91-0488	015-91-5489	48
	50	63.50	2.500	60.96	2.400	015-91-2500	015-91-6500	015-91-3507	015-91-0500	015-91-6502	015-91-3506	015-91-3500	015-91-6503	015-91-3508	015-91-0508	015-91-5509	50
W	52	66.04	2.600	63.50	2.500	015-91-2520		015-91-3527	015-91-0520		015-91-3526	015-91-3520		015-91-3528	015-91-0528	015-91-5529	52
	54	68.58	2.700	66.04	2.600	015-91-2540		015-91-3547	015-91-0540		015-91-3546	015-91-3540		015-91-3548	015-91-0548	015-91-5549	54
V	56	71.12	2.800	68.58	2.700	015-91-2560		015-91-3567	015-91-0560		015-91-3566	015-91-3560		015-91-3568	015-91-0568	015-91-5569	56
	58	73.66	2.900	71.12	2.800	015-91-2580		015-91-3587	015-91-0580		015-91-3586	015-91-3580		015-91-3588	015-91-0588	015-91-5589	58
U	60	76.20	3.000	73.66	2.900	015-91-2600		015-91-3607	015-91-0600		015-91-3606	015-91-3600		015-91-3608	015-91-0608	015-91-5609	60
	62	78.74	3.100	76.20	3.000	015-91-2620		015-91-3627	015-91-0620		015-91-3626	015-91-3620		015-91-3628	015-91-0628	015-91-5629	62
T	64	81.28	3.200	78.74	3.100	015-91-2640		015-91-3647	015-91-0640		015-91-3646	015-91-3640		015-91-3648	015-91-0648	015-91-5649	64
	66	83.82	3.300	81.28	3.200	015-91-2660		015-91-3667	015-91-0660		015-91-3666	015-91-3660		015-91-3668	015-91-0668	015-91-5669	66
S	68	86.36	3.400	83.82	3.300	015-91-2680		015-91-3687	015-91-0680		015-91-3686	015-91-3680		015-91-3688	015-91-0688	015-91-5689	68
	70	88.90	3.500	86.36	3.400	015-91-2700		015-91-3707	015-91-0700		015-91-3706	015-91-3700		015-91-3708	015-91-0708	015-91-5709	70
R	72	91.44	3.600	88.90	3.500	015-91-2720		015-91-3727	015-91-0720		015-91-3726	015-91-3720		015-91-3728	015-91-0728	015-91-5729	72
	74	93.98	3.700	91.44	3.600	015-91-2740		015-91-3747	015-91-0740		015-91-3746	015-91-3740		015-91-3748	015-91-0748	015-91-5749	74
Q	76	96.52	3.800	93.98	3.700	015-91-2760		015-91-3767	015-91-0760		015-91-3766	015-91-3760		015-91-3768	015-91-0768	015-91-5769	76
	78	99.06	3.900	96.52	3.800	015-91-2780		015-91-3787	015-91-0780		015-91-3786	015-91-3780		015-91-3788	015-91-0788	015-91-5789	78
P	80	101.60	4.000	99.06	3.900	015-91-2800		015-91-3807	015-91-0800		015-91-3806	015-91-3800		015-91-3808	015-91-0808	015-91-5809	80
	82	104.14	4.100	101.60	4.000	71308-0082		71308-0482	71308-0182		71308-0582	71308-0282		71308-0682	71308-1182	71308-1282	82
O	84	106.68	4.200	104.14	4.100	71308-0084		71308-0484	71308-0184		71308-0584	71308-0284		71308-0684	71308-1184	71308-1284	84
	86	109.22	4.300	106.68	4.200	71308-0086		71308-0486	71308-0186		71308-0586	71308-0286		71308-0686	71308-1186	71308-1286	86
N	88	111.76	4.400	109.22	4.300	71308-0088		71308-0488	71308-0188		71308-0588	71308-0288		71308-0688	71308-1188	71308-1288	88
	90	114.30	4.500	111.76	4.400	71308-0090		71308-0490	71308-0190		71308-0590	71308-0290		71308-0690	71308-1190	71308-1290	90
M	92	116.84	4.600	114.30	4.500	71308-0092		71308-0492	71308-0192		71308-0592	71308-0292		71308-0692	71308-1192	71308-1292	92
	94	119.38	4.700	116.84	4.600	71308-0094		71308-0494	71308-0194		71308-0594	71308-0294		71308-0694	71308-1194	71308-1294	94
L	96	121.92	4.800	119.38	4.700	71308-0096		71308-0496	71308-0196		71308-0596	71308-0296		71308-0696	71308-1196	71308-1296	96
	98	124.46	4.900	121.92	4.800	71308-0098		71308-0498	71308-0198		71308-0598	71308-0298		71308-0698	71308-1198	71308-1298	98
K	100	127.00	5.000	124.46	4.900	71308-0101		71308-0500	71308-0200		71308-0600	71308-0300		71308-0700	71308-1200	71308-1300	100

NO PEG VERSION

(SEE ALSO SHEET 3)

ADD UP TO 100 CKT  
 EC NO: UCP2005-0936  
 DRW: NBBARKER 2005/04/14  
 CHKD: BARKER 2005/04/14