

Distributed by:

JAMECO[®]
ELECTRONICS

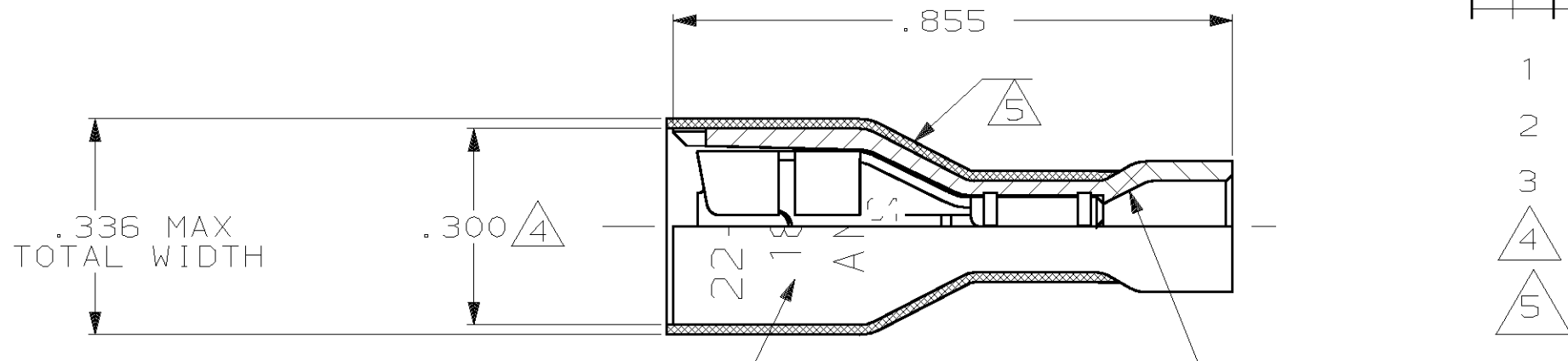
www.Jameco.com ♦ 1-800-831-4242

The content and copyrights of the attached
material are the property of its owner.

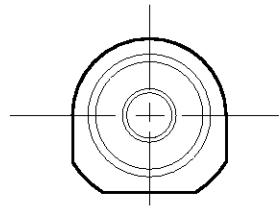
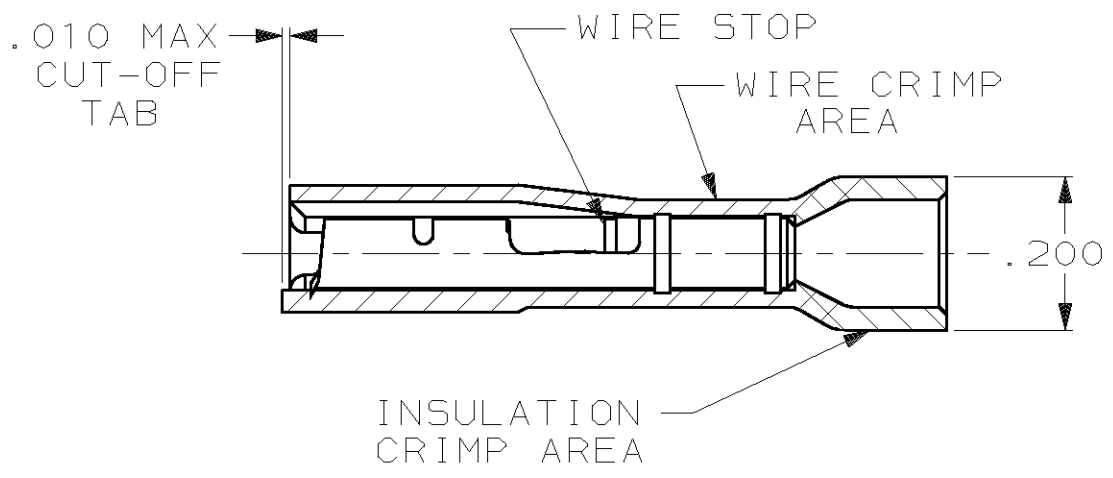
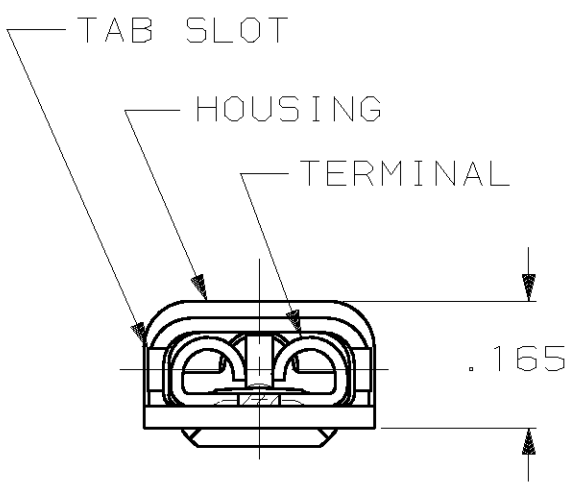
Jameco Part Number 837118

THIS DRAWING IS UNPUBLISHED. RELEASED FOR PUBLICATION, 19
 © COPYRIGHT 19 BY AMP INCORPORATED. ALL INTERNATIONAL RIGHTS RESERVED.

LOC	DIST	P	F	REVISIONS			DATE	APPD
AF	50			ZONE	LTR	DESCRIPTION		
					K	REV PER 0G1A-0148-99	4JUN99	JR/JH



- 1 MATES WITH .020±.001x.187 TAB
- 2 WIRE STRIP LENGTH .281
- 3 INSULATION SIZE .060-.135 DIA
- 4 DIMENSION DOES NOT INCLUDE TRIM BURR
- 5 .015 MAX CARRIER TRIM BURR PER SIDE IS ALLOWABLE IN THE SHADED AREA



HOUSING: NYLON, COLOR-RED TRANSLUCENT
 RECEPTACLE: #3 HARD BRASS
 TIN PL .000080 MIN THK

2-520409-2

MATERIAL & FINISH		PART NO	
DO NOT SCALE PRINT. UNLESS SPECIFIED DIMENSIONS IN INCHES TOLERANCES ON: 2 PLC DEC ± - 3 PLC DEC ± .015 ANGLES ± -		AMP INCORPORATED Harrisburg, Pa. 17105	
MATERIAL SEE TABLE		NAME RECEPTACLE ASSY, ULTRA-FAST PLUS, LOOSE PIECE, .187 SERIES, 22-18 AWG	
FINISH SEE TABLE		SIZE B	DRAWING NO 520409
DR 10/31/88 P FORTNEY CHK 11/2/88 MS FEHER APPD 11/2/88 K RANDOLPH APPD 11/14/88 TL SHUTTER PRODUCT SPEC 108-2044 APPLICATION SPEC 114-2123 WEIGHT -		FSCM NO 00779	SHEET 1 OF 1
		SCALE 4:1	