

Distributed by:

JAMECO[®]
ELECTRONICS

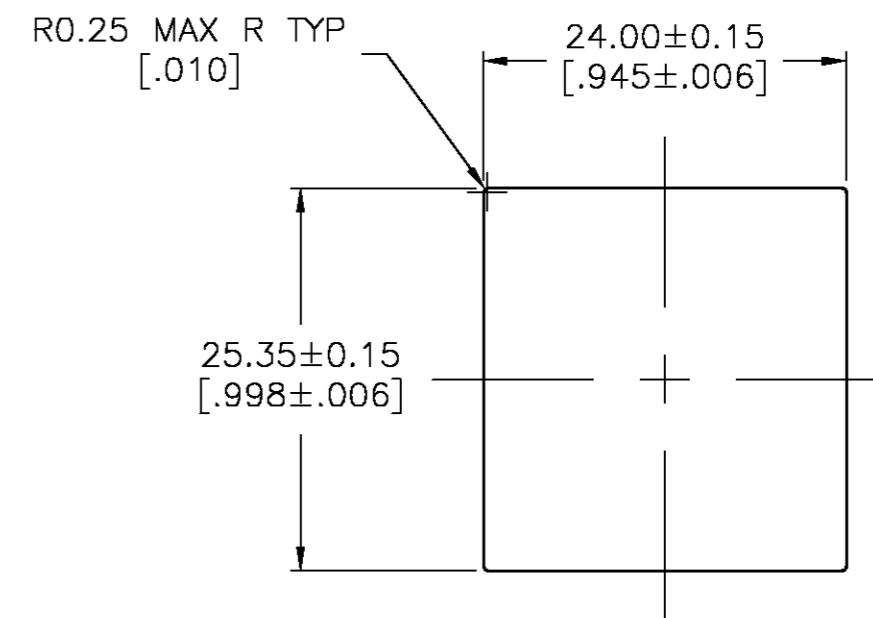
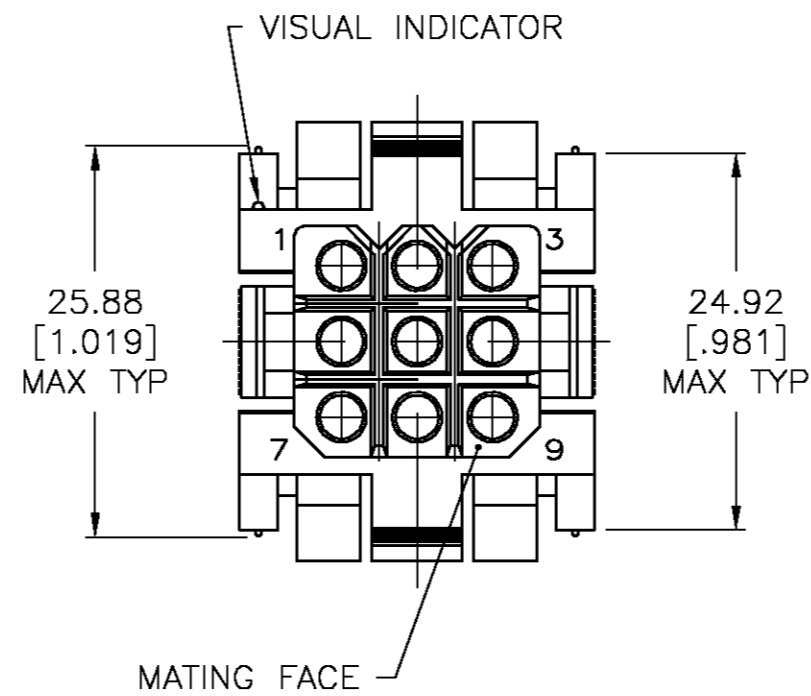
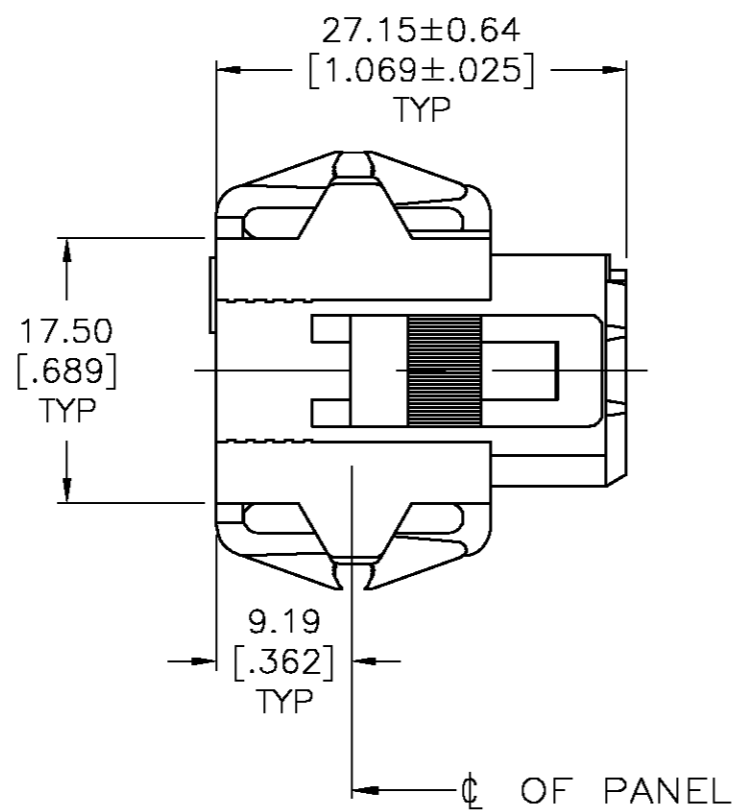
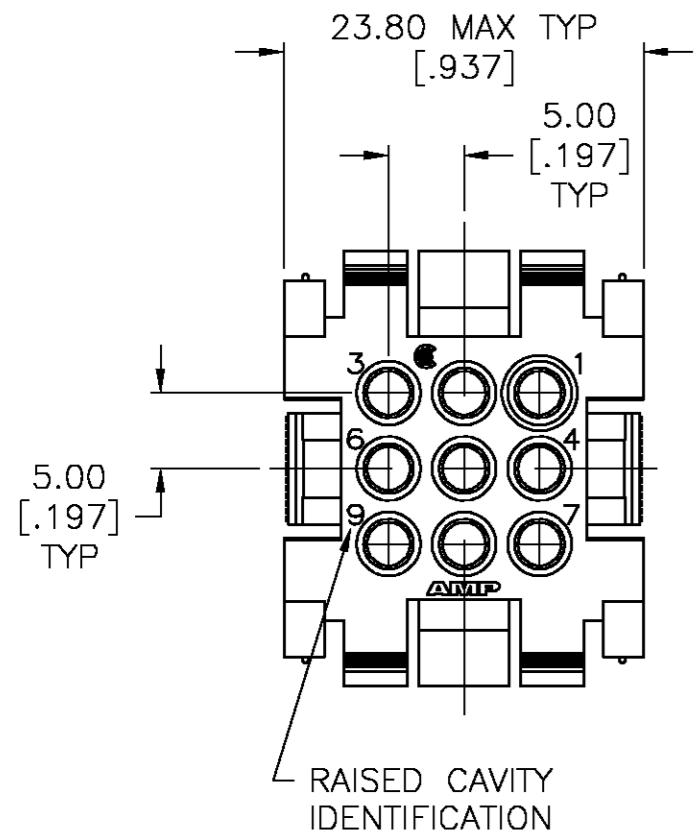
www.Jameco.com ♦ 1-800-831-4242

The content and copyrights of the attached
material are the property of its owner.

Jameco Part Number 838778

THIS DRAWING IS UNPUBLISHED. RELEASED FOR PUBLICATION
 © COPYRIGHT BY TYCO ELECTRONICS CORPORATION. ALL RIGHTS RESERVED.

LOC		DIST		REVISIONS			
P	LTR	DESCRIPTION		DATE	DWN	APVD	
FT	0	G		REVISED PER 0G3B-0021-04	1/19/04	SS	GS



PANEL CUTOUT

1. PANEL RETENTION MECHANISM ACCOMMODATES PANEL THICKNESSES FROM 0.76[.030] TO 2.29[.090].

207439-1
PART NO.

THIS DRAWING IS A CONTROLLED DOCUMENT.		DWN	08/26/92	Tyco Electronics Corporation Harrisburg, PA 17105	
		CHK	8-31-92		
DIMENSIONS: MM		TOLERANCES UNLESS OTHERWISE SPECIFIED:		NAME	
		0 PLC	± -	HOUSING, PLUG, 9 POSITION, METRIMATE	
		1 PLC	± -	SIZE	
		2 PLC	± .010	CAGE CODE	
		3 PLC	± -	DRAWING NO	
		4 PLC	± -	RESTRICTED TO	
		ANGLES	± -	A2 00779 C=207439	
MATERIAL: NYLON, COLOR: RED		FINISH	-	SCALE	
				2:1	
				SHEET 1 OF 1	
				REV G	
				CUSTOMER DRAWING	