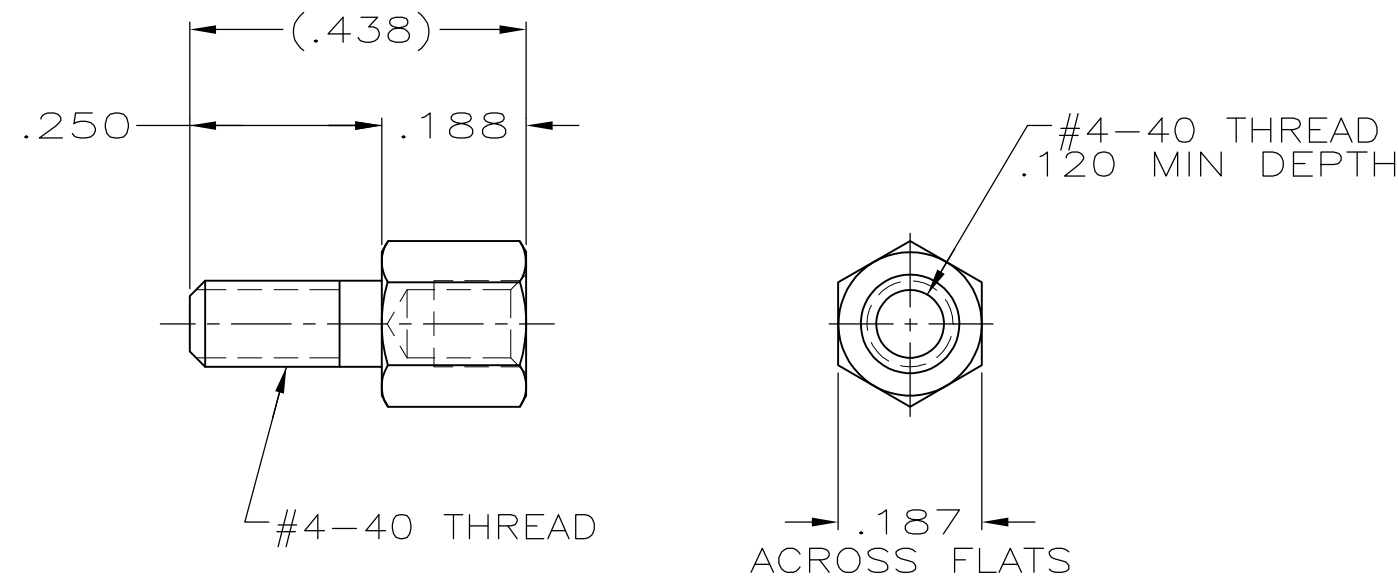



THIS DRAWING IS UNPUBLISHED. RELEASED FOR PUBLICATION
 © COPYRIGHT - By - ALL RIGHTS RESERVED.

LOC	DIST	REVISIONS			
P	LTR	DESCRIPTION	DATE	DWN	APVD
GP	00				
	P	REVISED PER ECO-11-004835	19APR11	RK	HMR



- 1 ZINC PLATED .000200-.000400 THICK, YELLOW CHROMATE COATING.
- 2 ZINC PLATED .000200-.000400 THICK, CLEAR CHROMATE COATING.

2	5207953-3
1	5207953-2
FINISH	PART NO

THIS DRAWING IS A CONTROLLED DOCUMENT.		DWN R.RICHARDSON 24JUN05	 TE Connectivity SCREWLOCK, FEMALE, SHORT, AMPLIMITE				
DIMENSIONS: INCHES		CHK C.ROHDE 24JUN05				NAME	RESTRICTED TO
TOLERANCES UNLESS OTHERWISE SPECIFIED:		APVD M.WALMSLEY 24JUN05				SIZE	CAGE CODE
0 PLC ± - 1 PLC ± - 2 PLC ± - 3 PLC ± .005 4 PLC ± - ANGLES ± -		PRODUCT SPEC				DRAWING NO	REV
MATERIAL COLD ROLLED STEEL		FINISH SEE TABLE	APPLICATION SPEC	WEIGHT -	SCALE 4:1		
CUSTOMER DRAWING			SIZE A3	CAGE CODE 00779	DRAWING NO C-5207953		
			SHEET 1 OF 1	REV P			