

Distributed by:

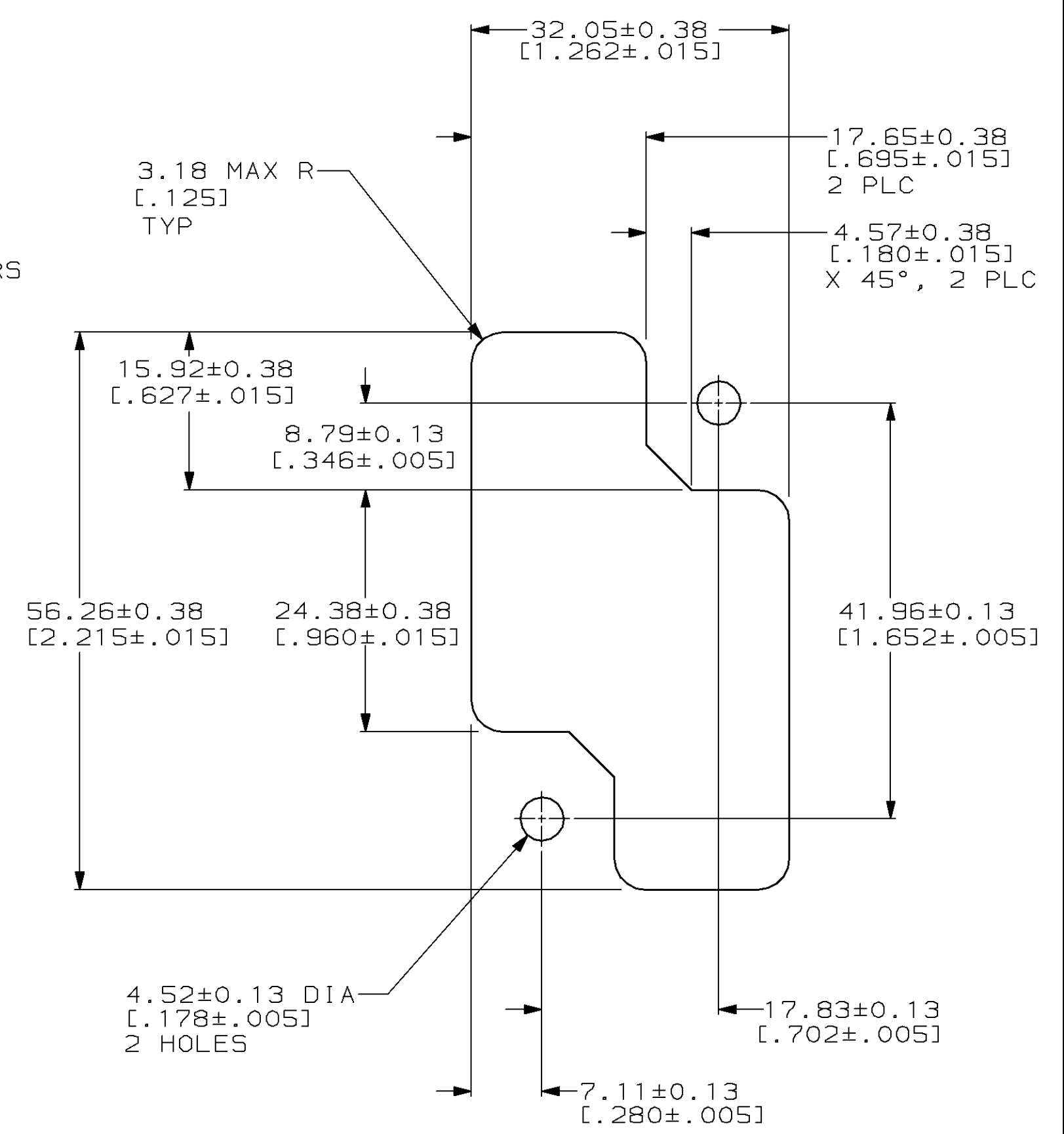
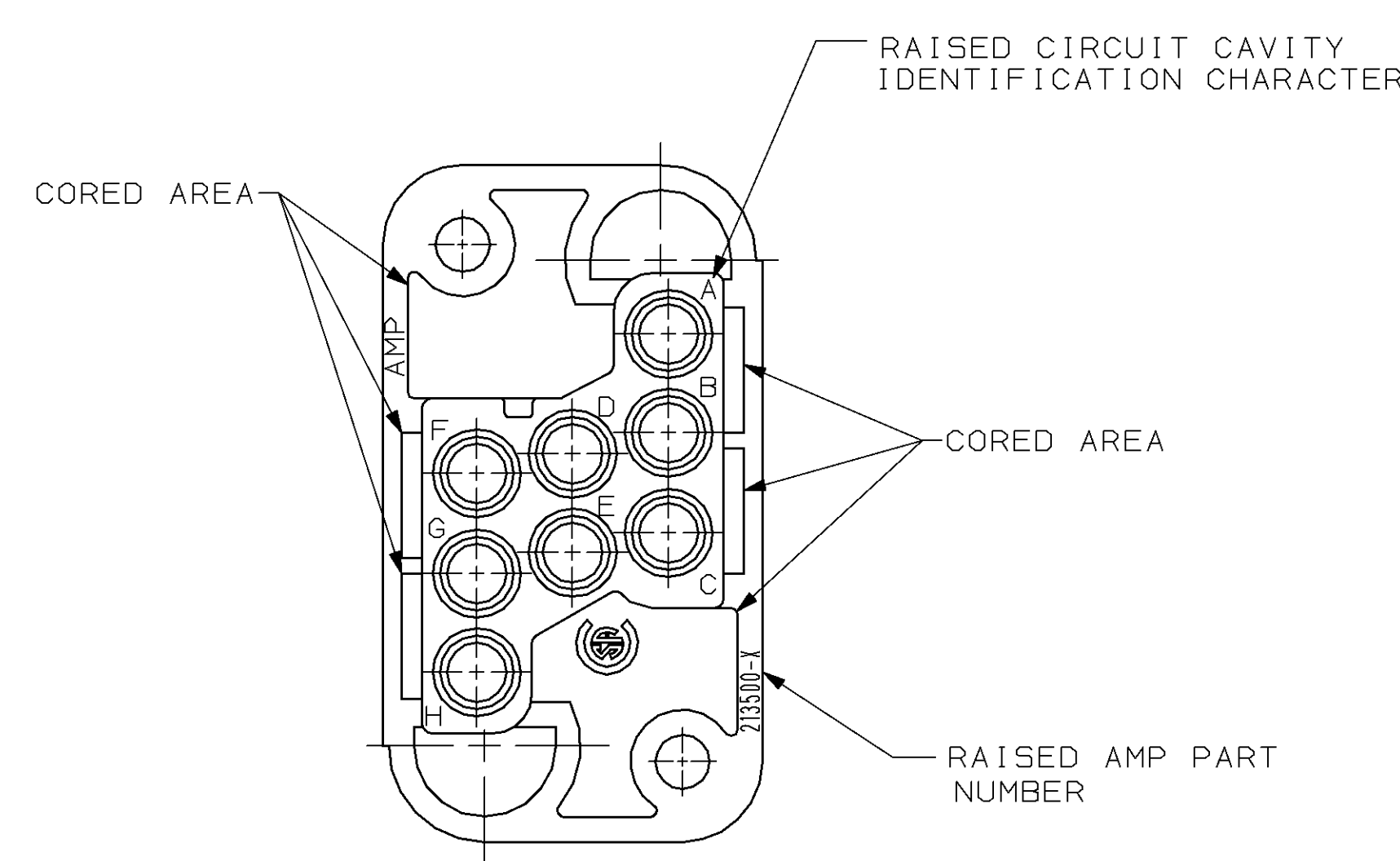
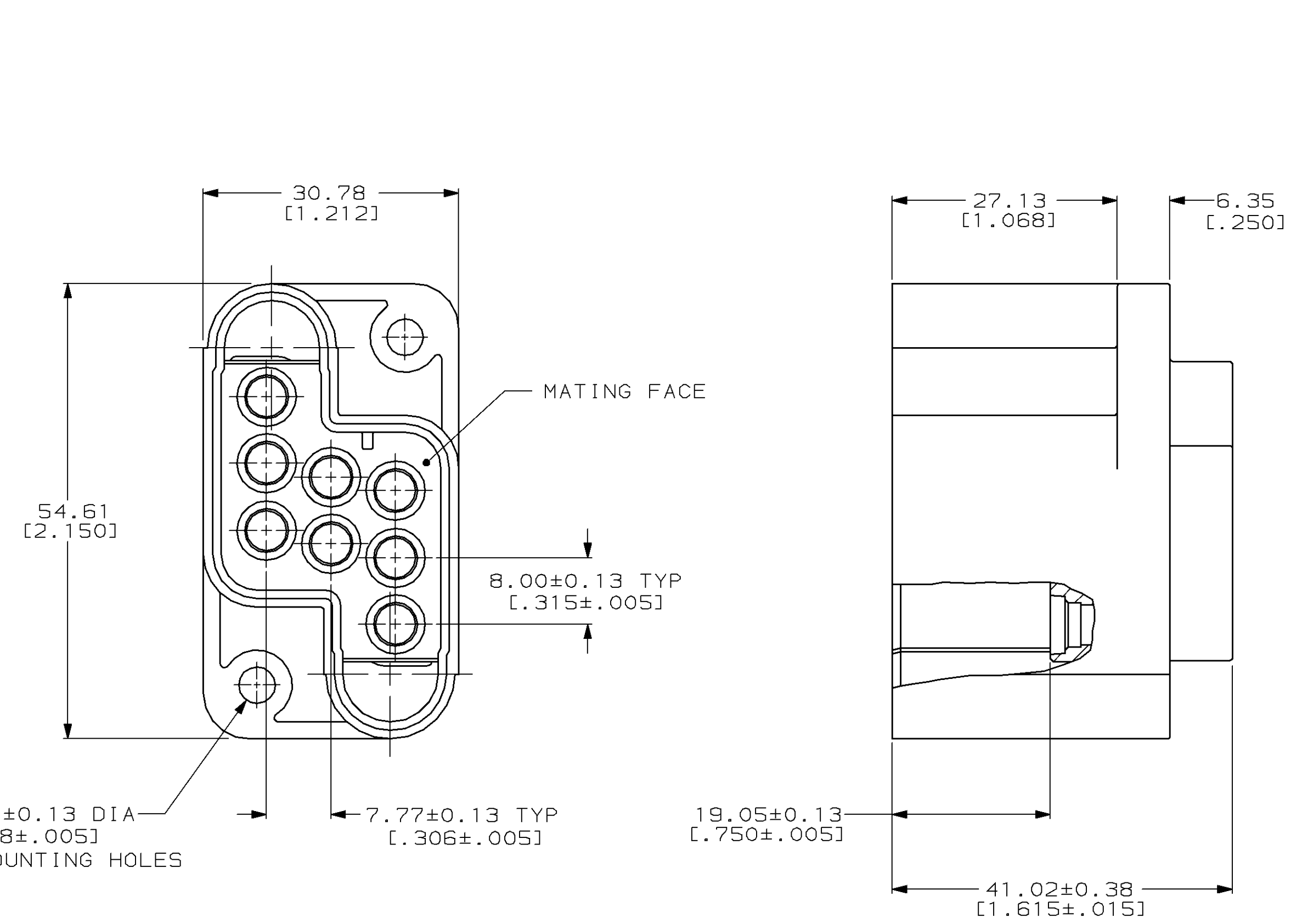
JAMECO[®]
ELECTRONICS

www.Jameco.com ♦ 1-800-831-4242

The content and copyrights of the attached
material are the property of its owner.

Jameco Part Number 839869

REVISONS		DATE	BY	APPV
E	REV PER EC 0020-1422-94	06 MAR 96	-	-
F	ADDED -3	06 MAR 96	BC	MM
F	PER EC 0020-136-96			



RECOMMENDED PANEL CUTOUT

- THIS HOUSING ACCEPTS (8) POWER SIZE 8, POWERBAND, OR COAXIAL SIZE 8 PIN CONTACTS.
- DIMENSIONS IN BRACKETS ARE IN INCHES.

BLUE	213500-3
BLACK	213500-1
COLOR	PART NO

THIS DRAWING IS A CONTROLLED DOCUMENT.

DW	S. CARRO	10-28-87
CHK	LARRY G. LAWYER	10-28-87
APVD	MICHAEL D. GALLOWAY	10-28-87

AMP AMP Incorporated
Harrisburg, PA 17105-3608

HOUSING, RECEPTACLE, DRAWER CONNECTOR, 8 POSITION, METRIMATE

SIZE	A1	CAGE CODE	00779	DRAWING NO	213500
SCALE	2:1	SHEET	1 OF 1	REV	F

MATERIAL: POLYESTER GLASS FIBER REINFORCED, FLAME RETARDED

TOLERANCES UNLESS OTHERWISE SPECIFIED:

0 PLC	±
1 PLC	±
2 PLC	±0.25 (.010)
3 PLC	±
4 PLC	±
ANGLES	±0°30'
FINISH	-

CUSTOMER DRAWING