

Distributed by:

**JAMECO**<sup>®</sup>  
ELECTRONICS

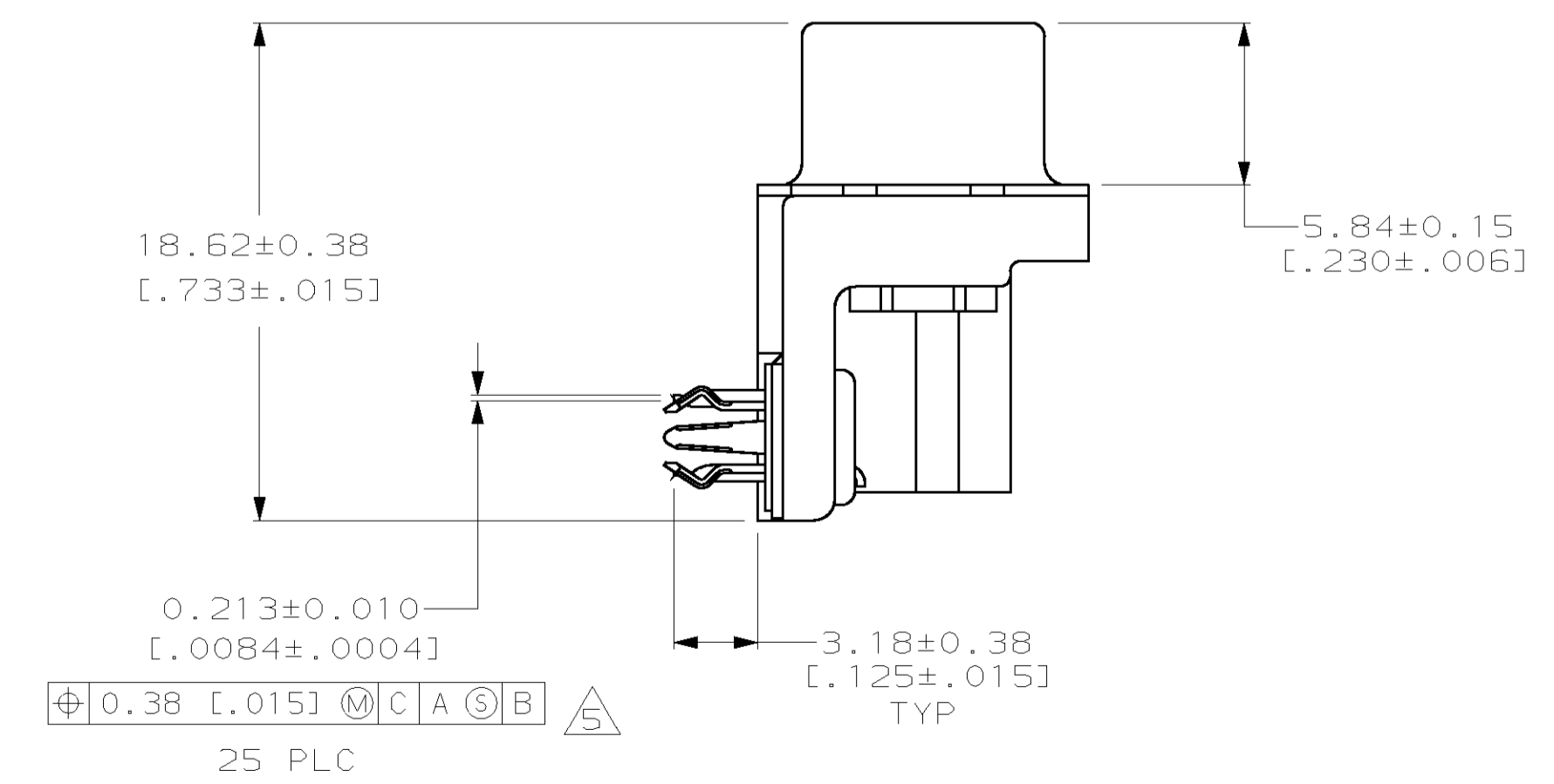
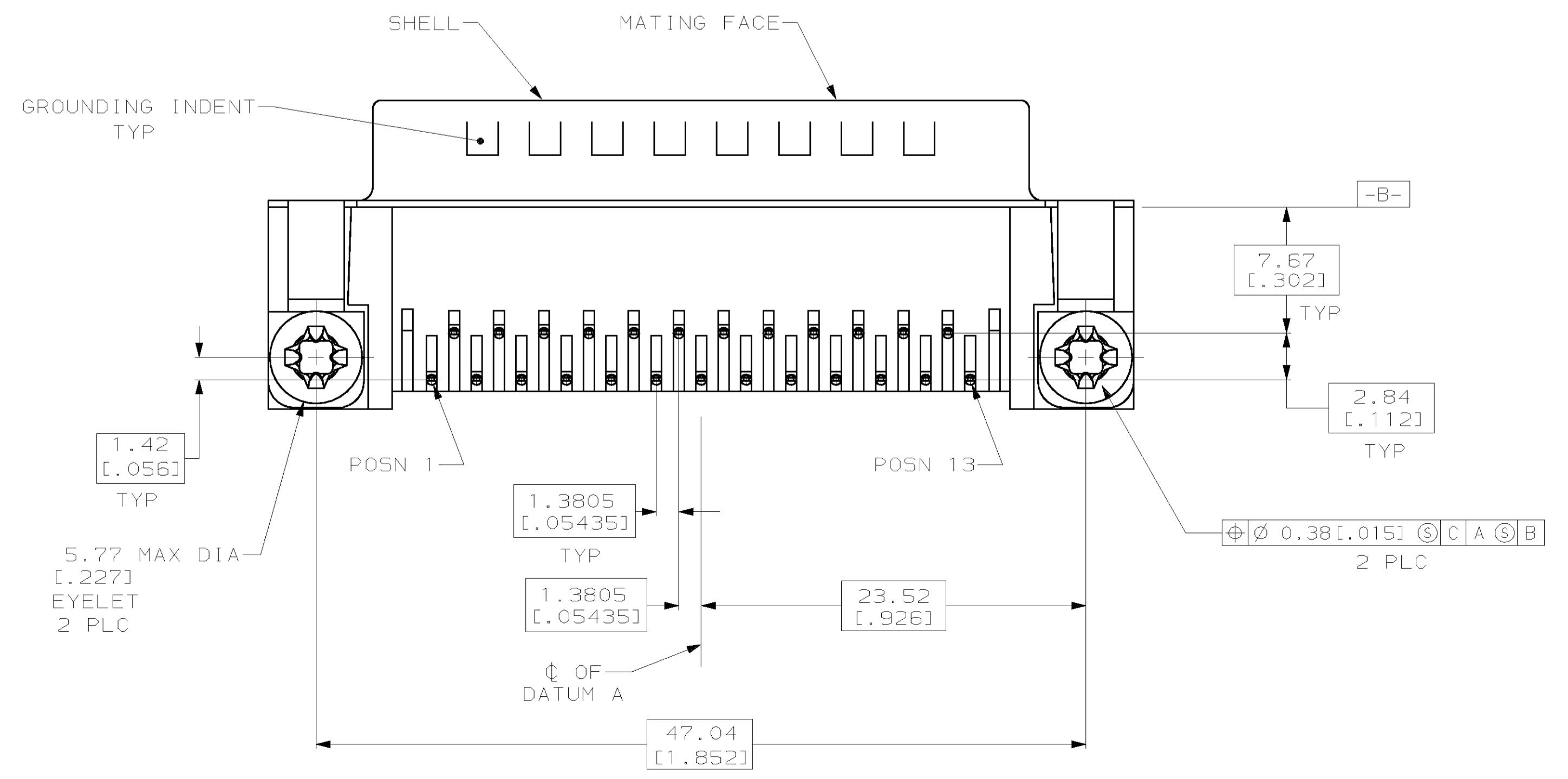
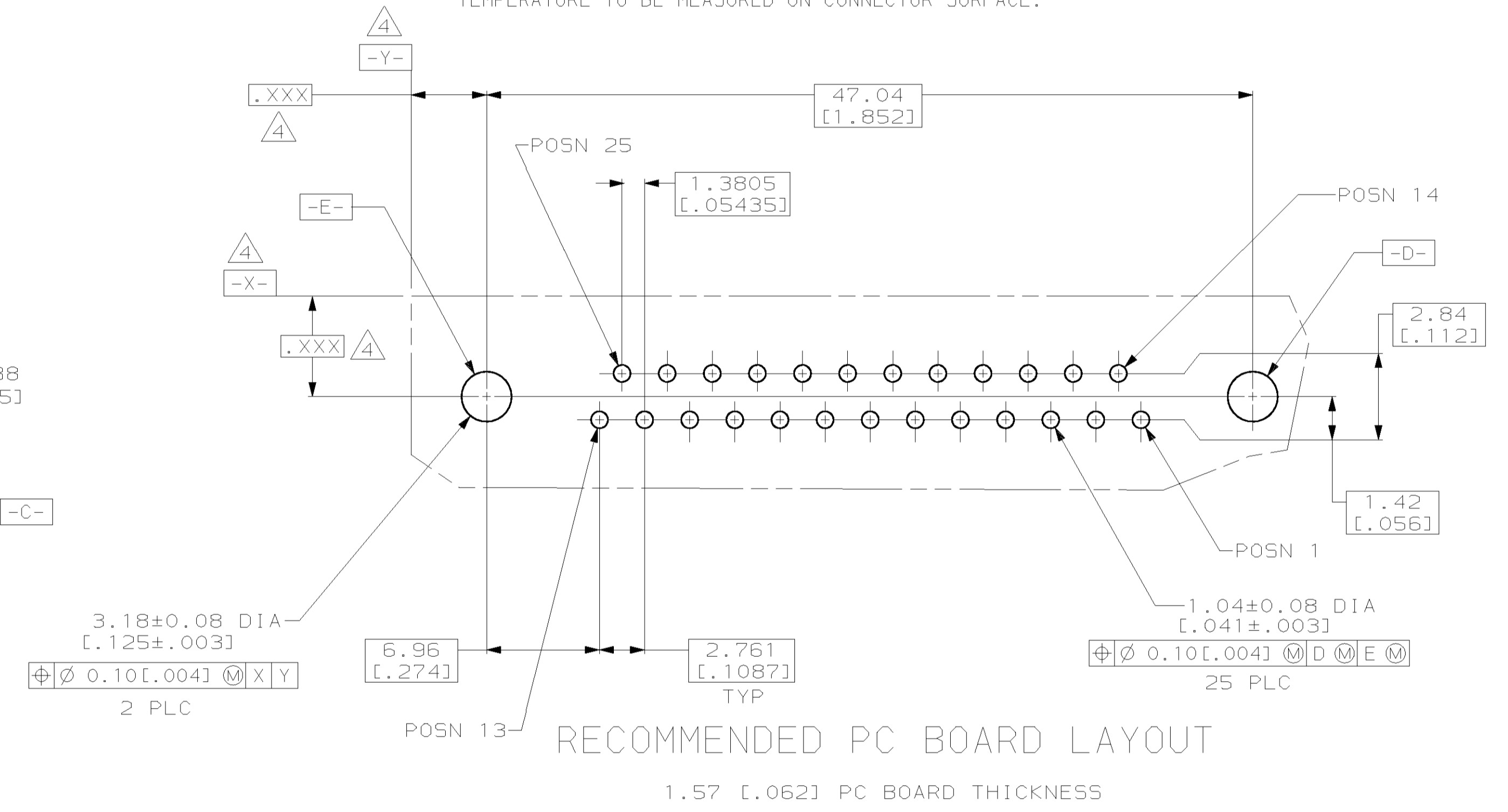
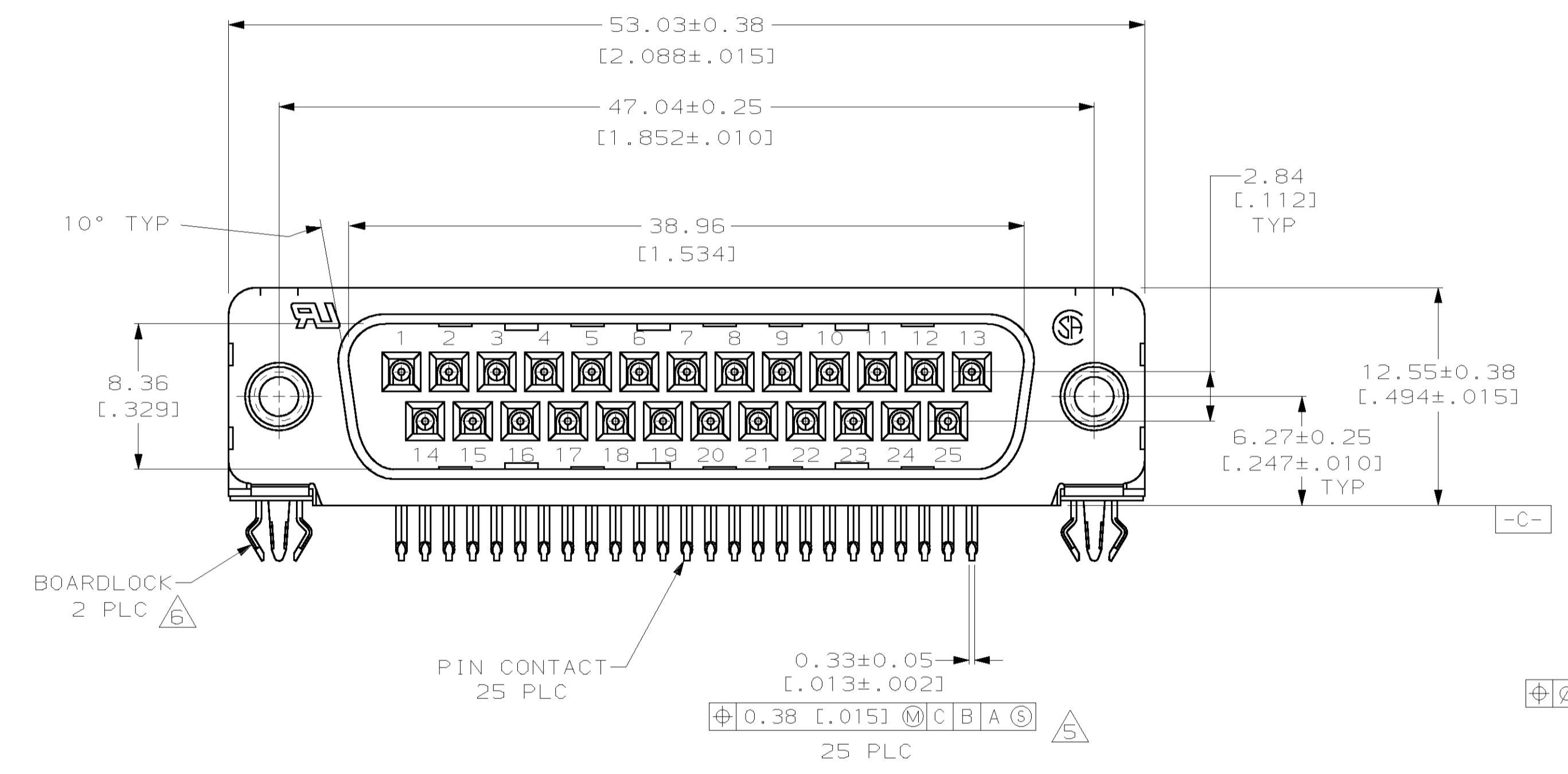
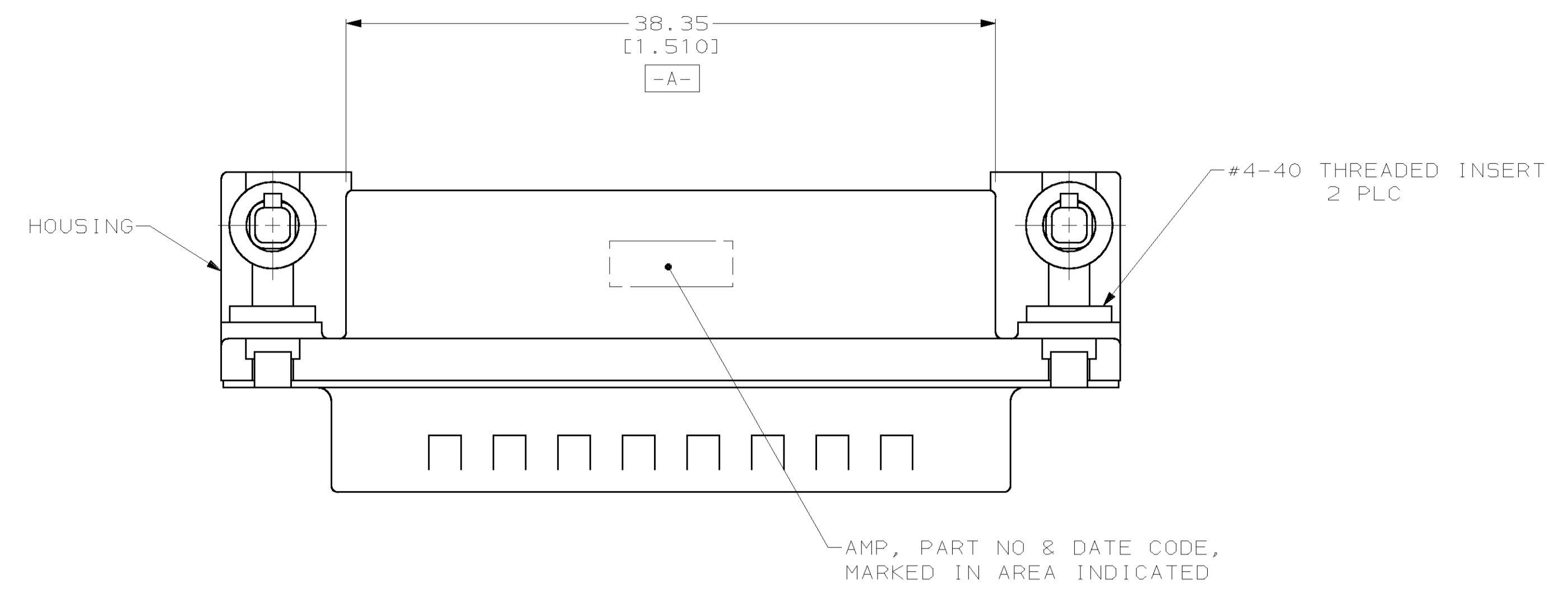
**www.Jameco.com ♦ 1-800-831-4242**

The content and copyrights of the attached  
material are the property of its owner.

Jameco Part Number 840085

LOC		DIST		REVISONS			
BD	0	REV	DATE	BY	CHK	APVD	
0	RLSE -1 & -2 PER NPR 221	02	MAR 00	DB	JK		

- ① HOUSING: NYLON, THERMOPLASTIC, UL 94V0 RATED, BLACK; SHELL: CARBON STEEL PER ASTM A109; PIN CONTACTS: BRASS PER MIL-C-50; EYELETS: BRASS; THREADED INSERTS: ZINC; BOARDLOCKS: COPPER ALLOY.
- ② PIN CONTACTS: GOLD PLATED FOR A LENGTH OF 3.81 [1.50] MIN FROM MATING END, 0.76µm [0.00030] MIN GOLD IN MATED AREA, 2.54µm [0.00100] MIN TIN OR TIN-LEAD FOR A LENGTH OF 3.56 [1.40] MIN FROM OPPOSITE END, BOTH OVER 1.27µm [0.00050] MIN NICKEL.  
EYELETS: 2.54µm [0.00100] MIN TIN-LEAD OR TIN OVER COPPER FLASH.  
SHELL: 2.54µm [0.00100] MIN TIN OVER 1.27µm [0.00050] MIN COPPER.  
THREADED INSERTS: CLEAR CHROMATE.  
BOARDLOCKS: 3.81µm [0.00150] MIN TIN-LEAD OVER 1.27µm [0.00050] MIN NICKEL.
- ③ PIN CONTACTS: GOLD PLATED FOR A LENGTH OF 3.81 [1.50] MIN FROM MATING END, GOLD FLASH IN MATED AREA, 2.54µm [0.00100] MIN TIN OR TIN-LEAD FOR A LENGTH OF 3.56 [1.40] MIN FROM OPPOSITE END, BOTH OVER 1.27µm [0.00050] MIN NICKEL.  
EYELETS: 2.54µm [0.00100] MIN TIN-LEAD OR TIN OVER COPPER FLASH.  
SHELL: 2.54µm [0.00100] MIN TIN OVER 1.27µm [0.00050] MIN COPPER.  
THREADED INSERTS: CLEAR CHROMATE.  
BOARDLOCKS: 3.81µm [0.00150] MIN TIN-LEAD OVER 1.27µm [0.00050] MIN NICKEL.
- ④ DATUMS AND BASIC DIMENSIONS ESTABLISHED BY CUSTOMER.
- ⑤ POSITION TOLERANCE APPLIES AT CONTACT TIP.
- ⑥ BOARDLOCKS WILL ACCEPT .062 MAX PRINTED CIRCUIT BOARD THICKNESS.
- 7. COMPATIBLE WITH TYPICAL HIGH TEMPERATURE SOLDERING APPLICATIONS TO A MAXIMUM OF 225°C FOR A MAXIMUM DURATION OF 90 SECONDS. TEMPERATURE TO BE MEASURED ON CONNECTOR SURFACE.



①	788794-2
②	788794-1
FINISH	PART NO

<small>THIS DRAWING IS A CONTROLLED DOCUMENT AND IS UNPUBLISHED. IT IS SUBJECT TO CHANGE AND THE CONTROLLING ENGINEERING ORGANIZATION SHALL BE CONTACTED FOR THE LATEST REVISION.</small>		DWN D. BROCKWAY 02 MAR 00 CHK J. KOPPENHEFFER 03 MAR 00 APVD J. KOPPENHEFFER 03 MAR 00	AMP Incorporated Harrisburg, PA 17105-3608
DIMENSIONS: mm (INCHES)	TOLERANCES UNLESS OTHERWISE SPECIFIED: 0 PLC ± 1 PLC ± 2 PLC ±0.13 [0.005] 3 PLC ± 4 PLC ± DIMENSIONS 12°	NAME PLUG ASSEMBLY, SIZE 3, .318 SERIES, WITH FRONT METAL SHELL, HIGH TEMPERATURE, AMPLIMITE™ HD-20	SIZE A1
MATERIAL	FINISH	WEIGHT CUSTOMER DRAWING	DRAWING NO 788794
SEE TABLE		SCALE 4:1	SHEET 1 OF 1 REV 0