

Distributed by:

JAMECO[®]
ELECTRONICS

www.Jameco.com ♦ 1-800-831-4242

The content and copyrights of the attached
material are the property of its owner.

Jameco Part Number 840261

4

3

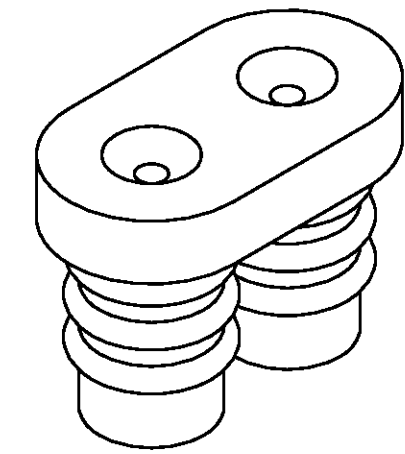
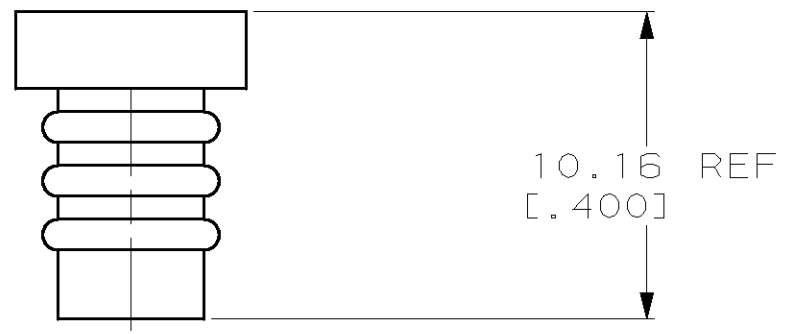
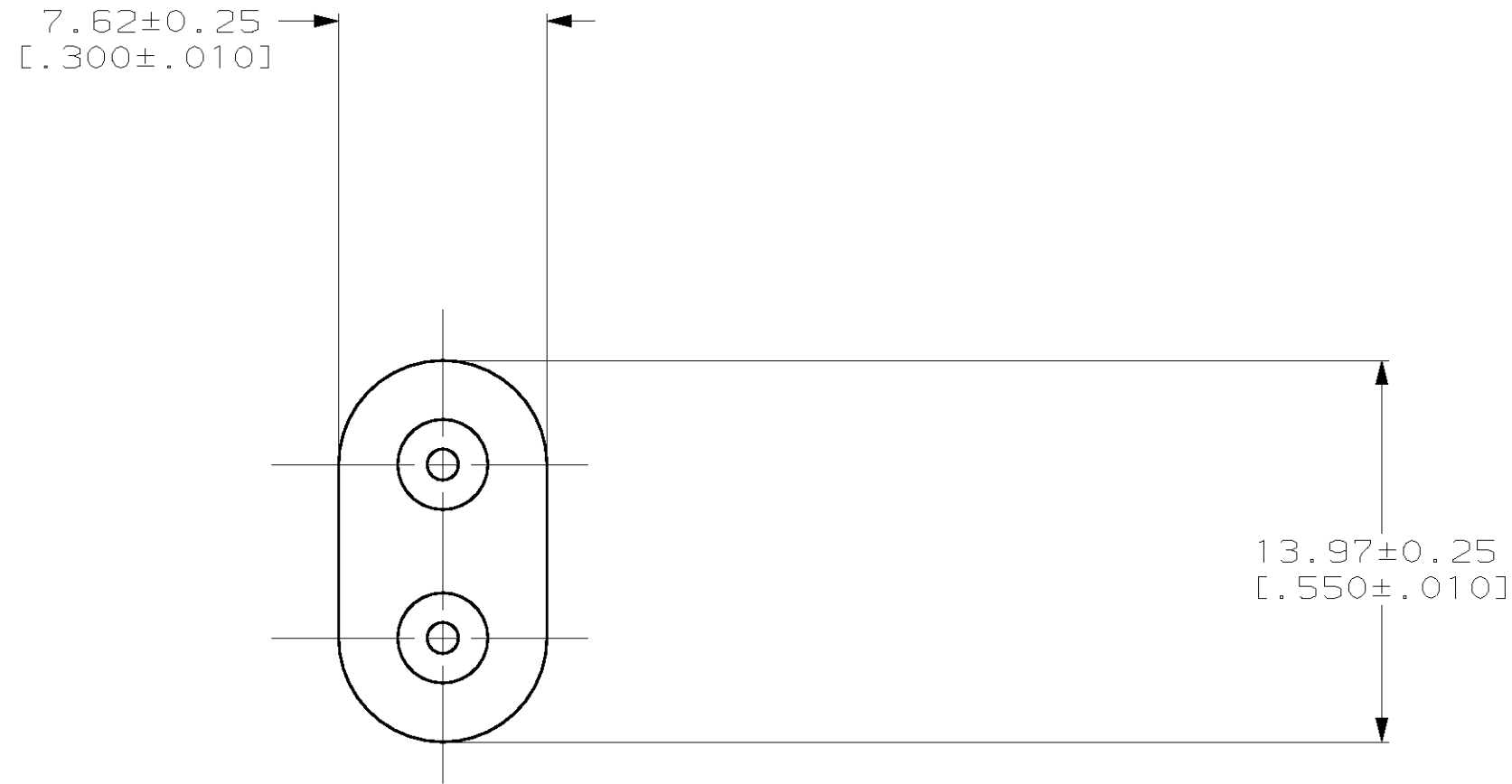
2

1

THIS DRAWING IS UNPUBLISHED. RELEASED FOR PUBLICATION .19
 (C) COPYRIGHT 19 BY AMP INCORPORATED. ALL RIGHTS RESERVED.

LOC		DIST		REVISIONS			
P	LTR	DESCRIPTION	DATE	DWN	APVD		
CM	53	A	REV PER EC 061B-0062-98	4-2-98	JH	RS	

- 1. MATERIAL: SELF LUBRICATING SILICON RUBBER
COLOR: BLUE
- 2. DIMENSIONS IN BRACKETS ARE IN INCHES.



3-DIMENSIONAL MODEL
NTS

794270-1
PART NUMBER

METRIC

THIS DRAWING IS A CONTROLLED DOCUMENT.		DWN	B. LEWIS	3-25-97	AMP Incorporated Harrisburg, PA 17105-3608							
DIMENSIONS:		CHK	R. SWING	3-25-97								
INCHES		APVD	D. SELF	3-25-97								
TOLERANCES UNLESS OTHERWISE SPECIFIED: 0 PLC ±- 1 PLC ±- 2 PLC ±- 3 PLC ±0.13 [.005] 4 PLC ±- ANGLES ±0°30'		PRODUCT SPEC	-									
MATERIAL		FINISH	-		APPLICATION SPEC	-						
		MATERIAL		△	SIZE	A2	CAGE CODE	00779	DRAWING NO	C-794270	RESTRICTED TO	-
CUSTOMER DRAWING		SCALE		4:1	SHEET	1	OF	1	REV	A		

794270