

Distributed by:

JAMECO[®]
ELECTRONICS

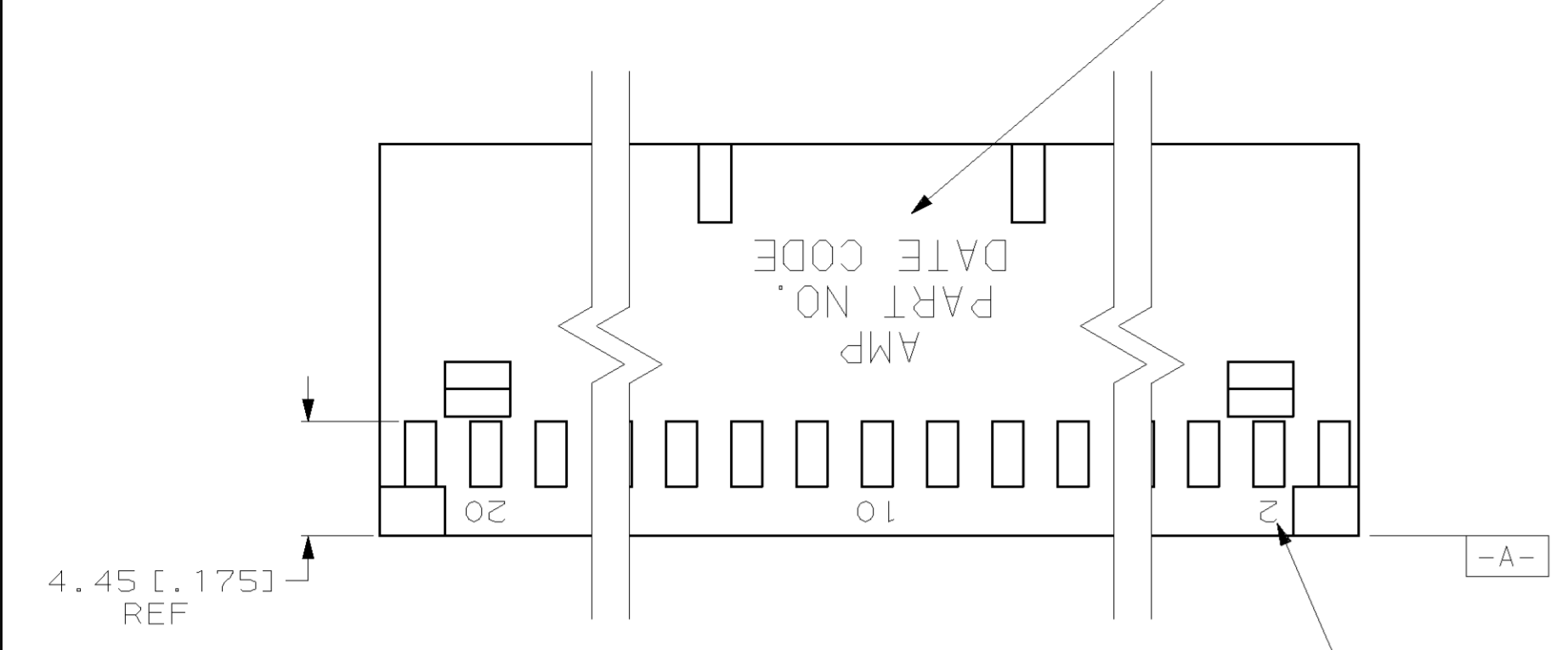
www.Jameco.com ♦ 1-800-831-4242

The content and copyrights of the attached
material are the property of its owner.

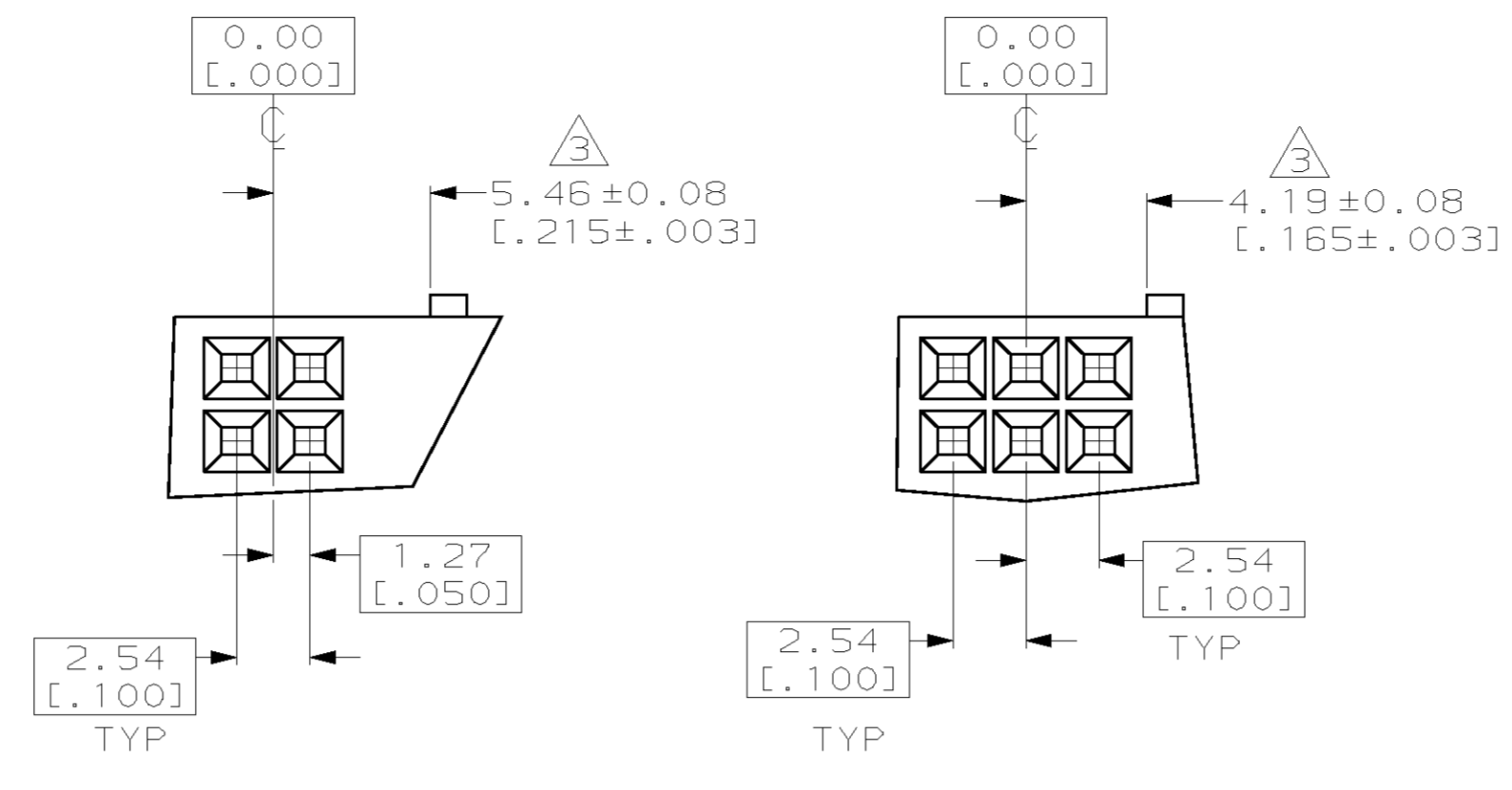
Jameco Part Number 841168

LOC	AD	REV	PER	DATE	OWN	APPRO
	39	V	REV	OG3C-0203-04	140CT04	JR DS

"AMP", PART NO. & DATE CODE MARKED (WHITE) 1.58±0.38 [.062±.015] HIGH CHAR. IN AREA SHOWN WHEN HOUSING SIZE PERMITS

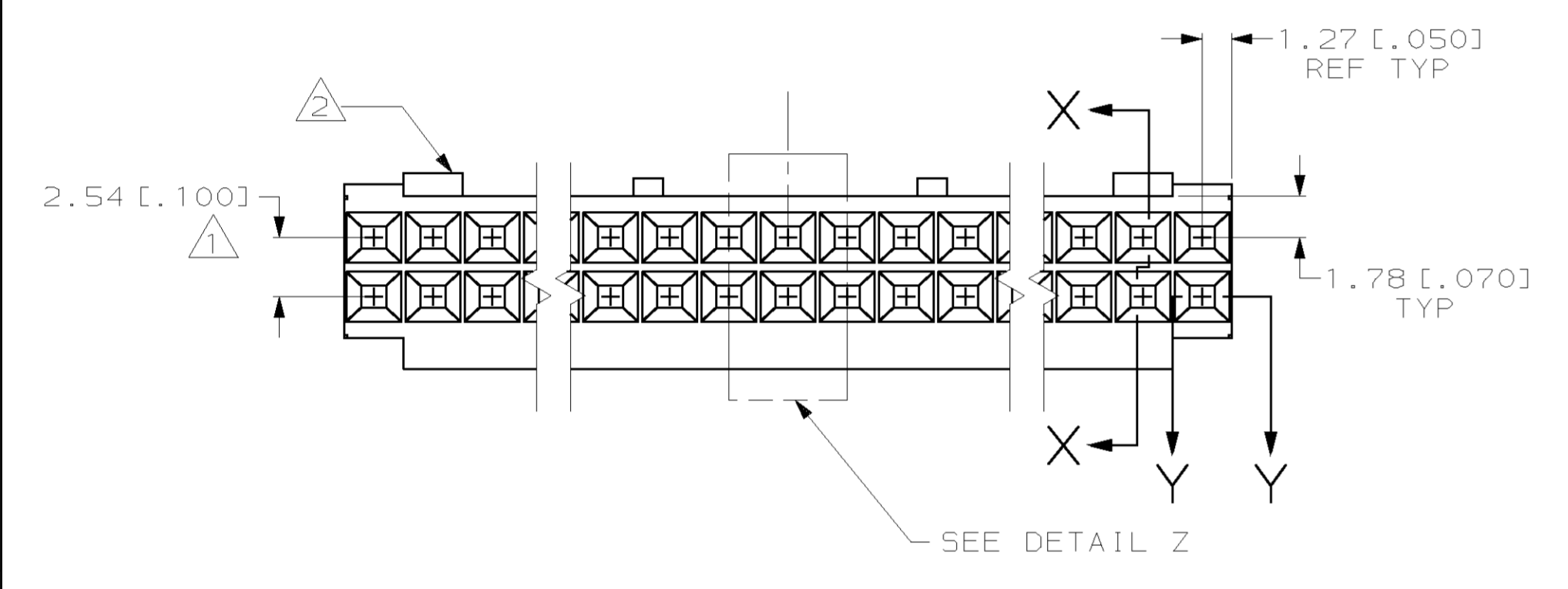


CAVITY IDENT. MARKED (WHITE) 1.17±0.38 [.046±.015] HIGH CHAR. SECOND AND EVERY FIFTH CAVITY, ONE SIDE.

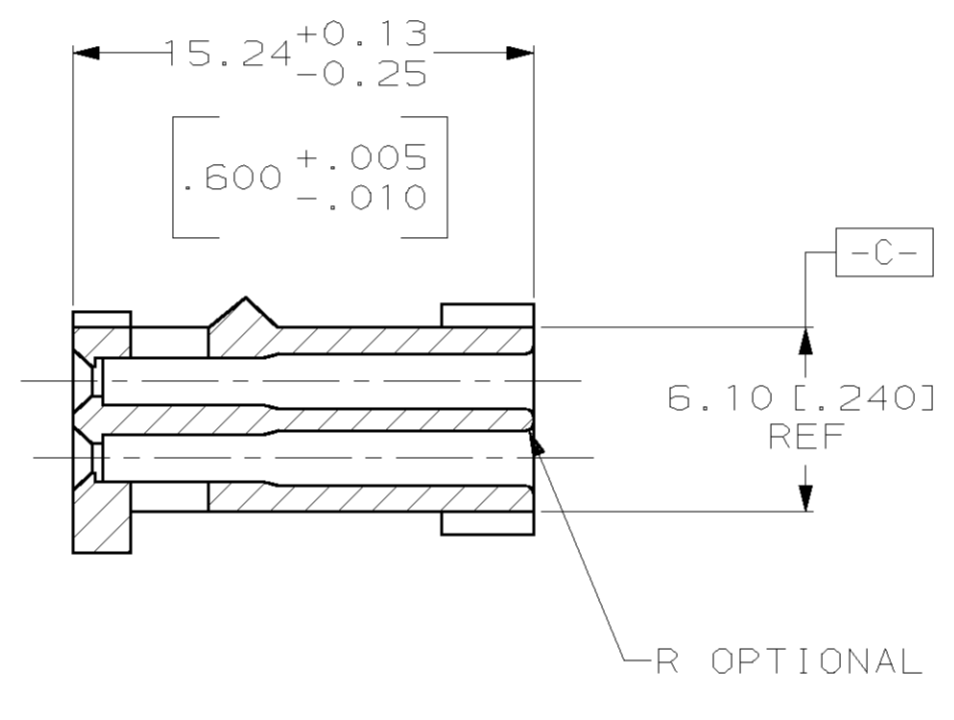


BASIC DIMENSION FOR ODD NUMBER OF SPACES (SEE THE TABLE)
 BASIC DIMENSION FOR EVEN NUMBER OF SPACES (SEE THE TABLE)

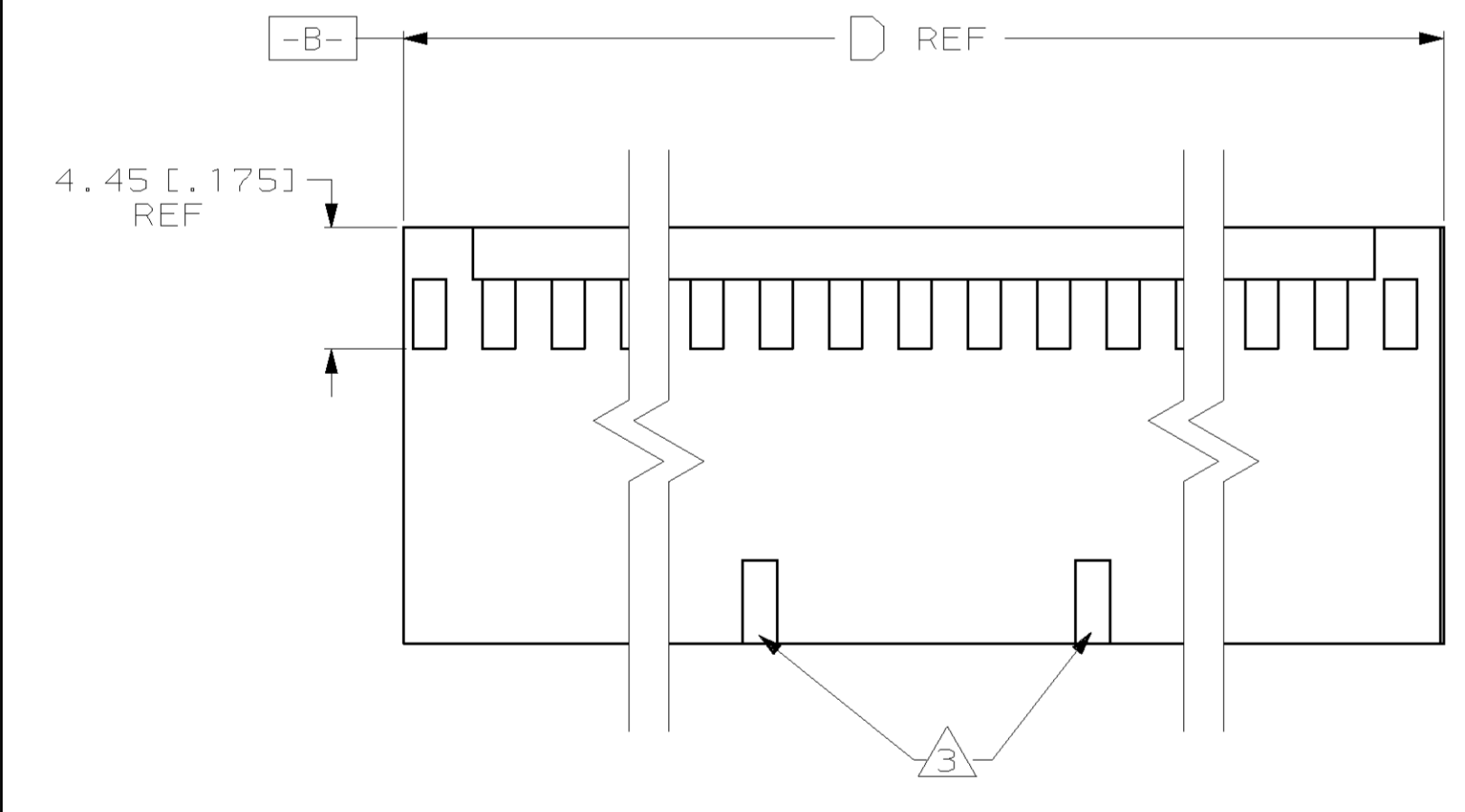
DETAIL Z



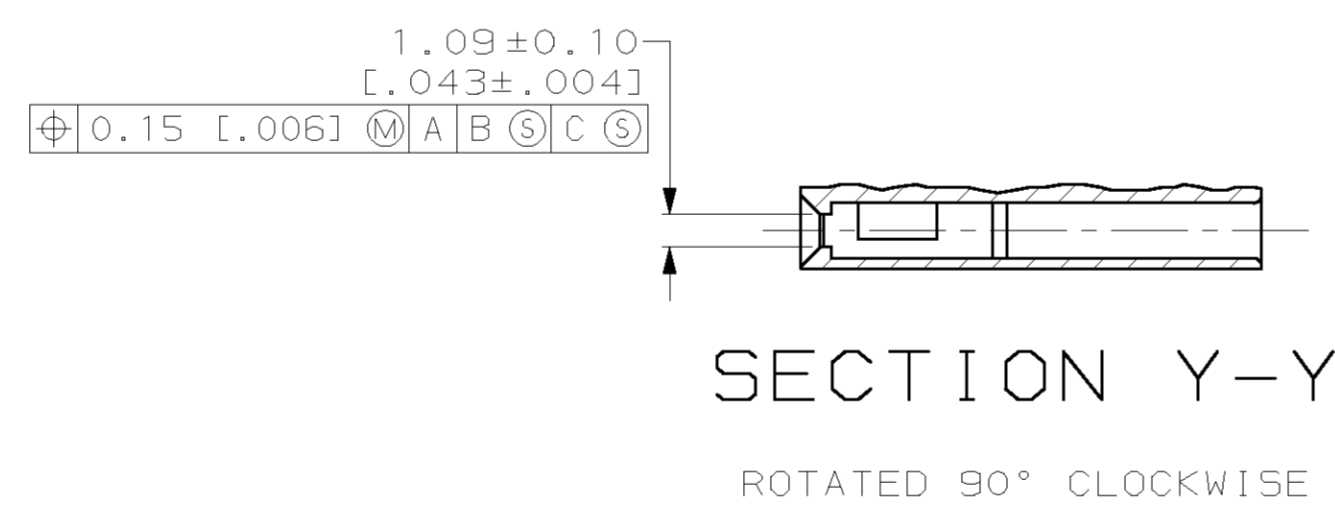
SEE DETAIL Z



SECTION X-X



SECTION B-B



SECTION Y-Y
 ROTATED 90° CLOCKWISE

- SEE TABLE FOR NUMBER OF DETENTS. DETENT ON THIS SIDE FOR HOUSINGS WITH ONE DETENT.
- STRAIN RELIEF LOCATORS WILL APPEAR ON 20 POSITION AND LARGER HOUSINGS.
- USE EXTRACTION TOOL 91052-1 TO REMOVE RECEPTACLE CONTACTS.
- THESE HOUSINGS ARE COMPATIBLE WITH ANY MOD II SHROUDED HEADER.
- HOUSINGS WILL ACCOMMODATE #20-24 AWG WIRE, 1.75 [.069] MAX. INSULATION DIA. OR #26-30 AWG WIRE, 1.17 [.046] MAX. INSULATION DIA.
- MATERIAL: FLAME RETARDANT GLASS FILLED NYLON, COLOR: BLACK PER ASTM D4066

REV	DESCRIPTION	DATE	OWN	APPRO
1	REV PER OG3C-0203-04	140CT04	JR	DS
2				
3				
4				
5				
6				
7				
8				
9				
10				
11				
12				
13				
14				
15				
16				
17				
18				
19				
20				
21				
22				
23				
24				
25				
26				
27				
28				
29				
30				
31				
32				
33				
34				
35				
36				
37				
38				
39				
40				
41				
42				
43				
44				
45				
46				
47				
48				
49				
50				
51				
52				
53				
54				
55				
56				
57				
58				
59				
60				
61				
62				
63				
64				
65				
66				
67				
68				
69				
70				
71				
72				
73				
74				
75				
76				
77				
78				
79				
80				
81				
82				
83				
84				
85				
86				
87				
88				
89				
90				
91				
92				
93				
94				
95				
96				
97				
98				
99				
100				

MARKING		NO. OF DETENTS	D	NO. OF SPACES	NO. OF POSN	PART NUMBER
DIMENSIONS: mm (INCHES)		TOLERANCES UNLESS OTHERWISE SPECIFIED:		AMP Incorporated Harrisburg, PA 17105-3608 CONNECTOR, MOD IV, CRIMP SNAP-IN, WITH DETENT		
MATERIAL		FINISH		HEIGHT	SCALE	REV
AMP 4805 REV 10/93		AMP 4805 REV 10/93		4:1	11	V