

Distributed by:

JAMECO[®]
ELECTRONICS

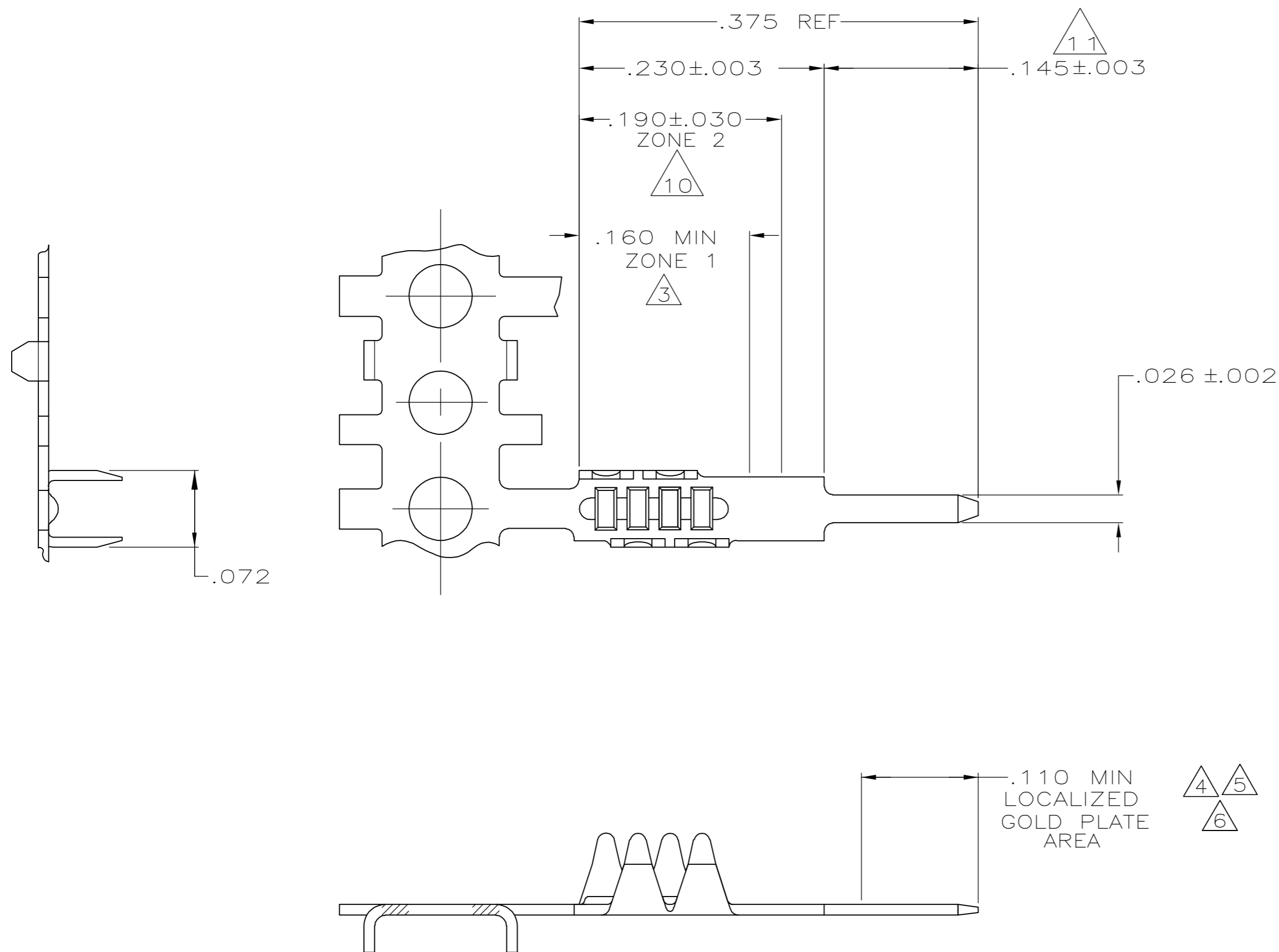
www.Jameco.com ♦ 1-800-831-4242

The content and copyrights of the attached
material are the property of its owner.

Jameco Part Number 841491

THIS DRAWING IS UNPUBLISHED. RELEASED FOR PUBLICATION
 © COPYRIGHT BY TYCO ELECTRONICS CORPORATION. ALL RIGHTS RESERVED.

LOC	DIST	REVISIONS			
P	LTR	DESCRIPTION	DATE	DWN	APVD
GP	00	T	REVISED PER EC OS13-0204-05	05AUG05	JG JG



- 1. .000050 MIN THK NICKEL OVER ENTIRE CONTACT.
- 2. .000150 MIN BRIGHT TIN/LEAD OVER ENTIRE CONTACT.
- 3. .000100 MIN THK BRIGHT TIN/LEAD IN ZONE 1.
- 4. GOLD FLASH IN LOCALIZED GOLD PLATE AREA.
- 5. .000015 MIN GOLD IN LOCALIZED GOLD PLATE AREA OVER NICKEL
- 6. .000030 MIN GOLD IN LOCALIZED GOLD PLATE AREA OVER NICKEL
- 7. TO BE APPLIED PER AMP APPLICATION SPEC 114-16015.
- 8. RECOMMENDED HOLE SIZE IS .031-.035 DIA.
- 9. FOR SOLDERABILITY SEE AMP PRODUCT SPEC 108-9024.
- 10. .000150 MIN TIN-LEAD OVER .000050 MIN NICKEL UNDERPLATE IN ZONE 2.
- 11. AREA TO BE UNPLATED (-9 ONLY).
- 12. .000150 MIN MATTE TIN OVER ENTIRE CONTACT.
- 13. .000100 MIN THK MATTE TIN IN ZONE 1.

	1 6 13	1-88997-4
	1 5 13	1-88997-3
	1 9 12	1-88997-2
OBSOLETE	10 11	88997-9
	1 3 6	88997-5
	1 3 5	88997-4
SUPERSEDED BY 88997-5	1 3 4	88997-3
	1 2 9	88997-2
	FINISH	PART NO

THIS DRAWING IS A CONTROLLED DOCUMENT.		DWN B. MCMASTER 10MAR04	Tyco Electronics Corporation Harrisburg, Pa 17105-3608	
DIMENSIONS: INCHES		CHK S. BOLASH 10MAR04		
TOLERANCES UNLESS OTHERWISE SPECIFIED:		APVD M. WALMSLEY 10MAR04	NAME CONTACT, SOLDER TAB, FFC, .100 ̢	
0 PLC ± -		PRODUCT SPEC 108-9024	SIZE A2	
1 PLC ± -		APPLICATION SPEC 114-16015	CAGE CODE 00779	DRAWING NO C=88997
2 PLC ± -		MATERIAL PHOS BRONZE .010 THK	WEIGHT -	RESTRICTED TO -
3 PLC ± .005		FINISH SEE TABLE	SCALE 10:1	SHEET 1 OF 1
4 PLC ± -			CUSTOMER DRAWING	REV T
ANGLES ± -				

CUSTOMER DRAWING

8888997