

Distributed by:

JAMECO[®]
ELECTRONICS

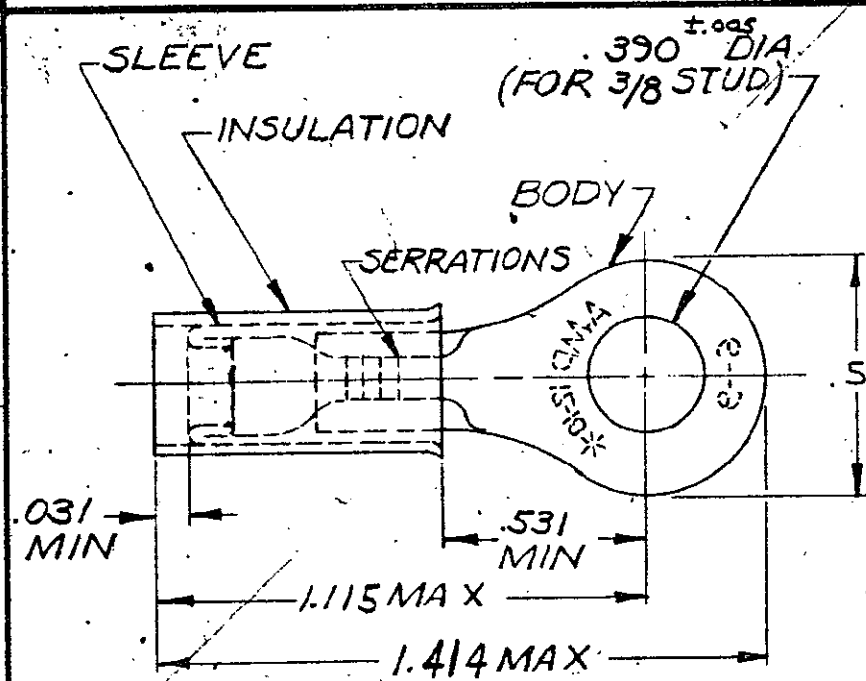
www.Jameco.com ♦ 1-800-831-4242

The content and copyrights of the attached
material are the property of its owner.

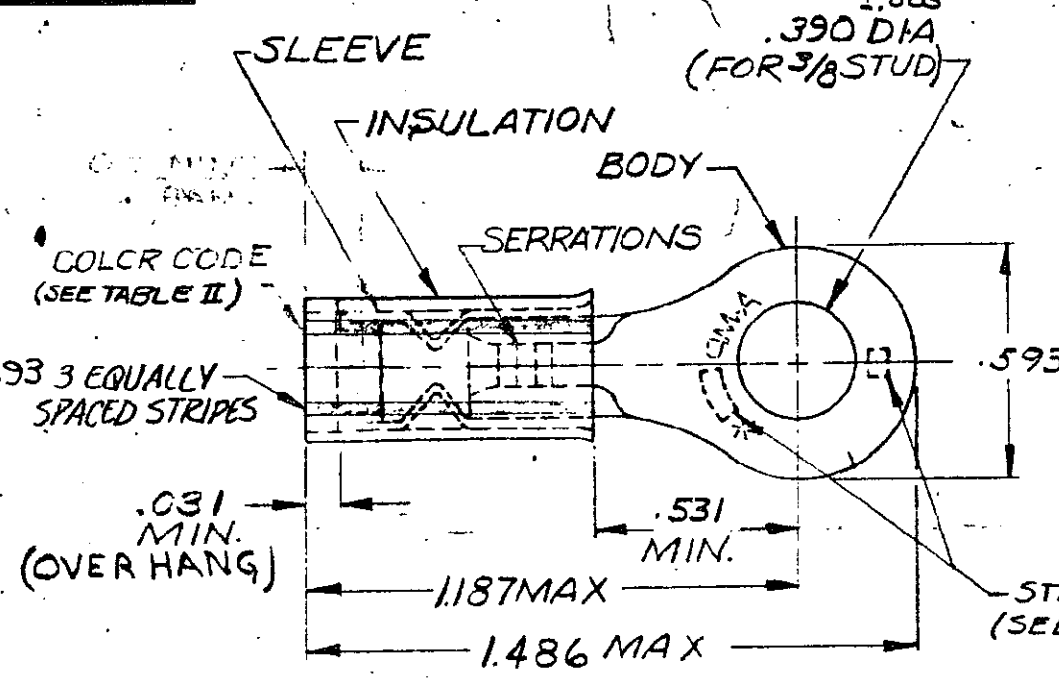
Jameco Part Number 842398

DRAWING MADE IN AMERICAN PROJECTION

© 1951 BY AMP INCORPORATED. ALL RIGHTS RESERVED. AMP PRODUCTS COVERED BY PATENTS AND/OR PATENTS PENDING.



TONGUE MATERIAL THK. = .040 ±.002
FOR .150 TO .230 WIRE INS. DIA
STYLE "A"



TONGUE MATERIAL THK. = .040 ±.002
FOR "C" / "D" WIRE INS. DIA.
STYLE "B"

REVISIONS				
ZONE	LTR	DESCRIPTION	DATE	APPROVED
	B	REDRAWN & ADDED 2-320577-1 & 2-320577-2 NPS 69-0406 & 69-0407	9-8-69	FCY
	B1	REV COLOR CODE PER ECN P-6158	9-11-69	FCY
	C	REVISED PC-5569	12-18-69	FCY
	D	REVISED B-630	1-5-70	FCY
	E	REVISED TO AGREE WITH PROD DWG.	4-16-70	FCY
	F	ADDED .062 MIN COLOR BAND - G-1322	5-3-76	Q 5-3-76
	G	REV ECN P-7000	2-3-78	CK
	H	REV PER PC-8820	12/23/80	JM
	J	REV PER ECN PC-9455	1-27-82	JM
	K	INACTIVE 2-3 P-9261	12-17-82	JM
	L	REACT. 2-3 G-4743	5-11-88	JM
	M	REV/0720-0060-93	4-2-93	TO/ml
	N	REV/0610-0133-98	11SEP98	ME/JT

TABLE II

PART NO.	STYLE	WIRE SIZE	WIRE SHIP STAMPING	COLOR CODE	TAPE NO.
8-320577-5	"B"	10	10	9 BROWN	
8-320577-2	"A"	12-10	AS SHOWN		
2-320577-2	"B"	10	10	9 BROWN	
2-320577-1	"B"	12	12	6 YELLOW	
320577	"A"	12-10	AS SHOWN		2-320577-3

QTY	PACKAGE TYPE	PART NO.	MATERIAL & FINISH
200	LOOSE PC, BOX	8-320577-5	M/F 2-320577-2
1000	TAPE MOUNTED	2-320577-3	M/F 320577
500	LOOSE PC	2-320577-2	BODY: COPPER (ASTM B152) TIN PL (ASTM B 545) SLEEVE: COPPER (ASTM B152) NICKEL PL (QQ-N-290) INSULATION: NYLON (MIL-M-20693) TYPE I, COLOR: YELLOW
50	LOOSE PC, BOX	8-320577-2	BODY & SLEEVE: COPPER (ASTM B152) TIN PL (ASTM B 545) INSULATION: NYLON (MIL-M-20693) TYPE I, COLOR: YELLOW
500	LOOSE PC	320577	BODY & SLEEVE: COPPER (ASTM B152) TIN PL (ASTM B 545) INSULATION: NYLON (MIL-M-20693) TYPE I, COLOR: YELLOW

UNLESS OTHERWISE SPECIFIED DIMENSIONS ARE IN INCHES
TOLERANCES ON:
DECIMALS ±.008
ANGLES ± 5°

CONTRACT NO. #

DR. J.M. Ensminger 9-5-69

CHK. R. J. [unclear] 9-8-69

APPD. [unclear] 9-8-69

REL. J.M. Ensminger 9-11-69

DSGN APPD. [unclear]

OTHER APPD. [unclear]

AMP INCORPORATED
HARRISBURG, PENNSYLVANIA

WIRE TERMINAL
P.I.D.G. - RING TONGUE

SIZE B CODE IDENT NO. 00779 NUMBER 320577

SCALE NTS SHEET 1 OF 1