

Distributed by:

**JAMECO**<sup>®</sup>  
ELECTRONICS

**www.Jameco.com ♦ 1-800-831-4242**

The content and copyrights of the attached  
material are the property of its owner.

Jameco Part Number 842486

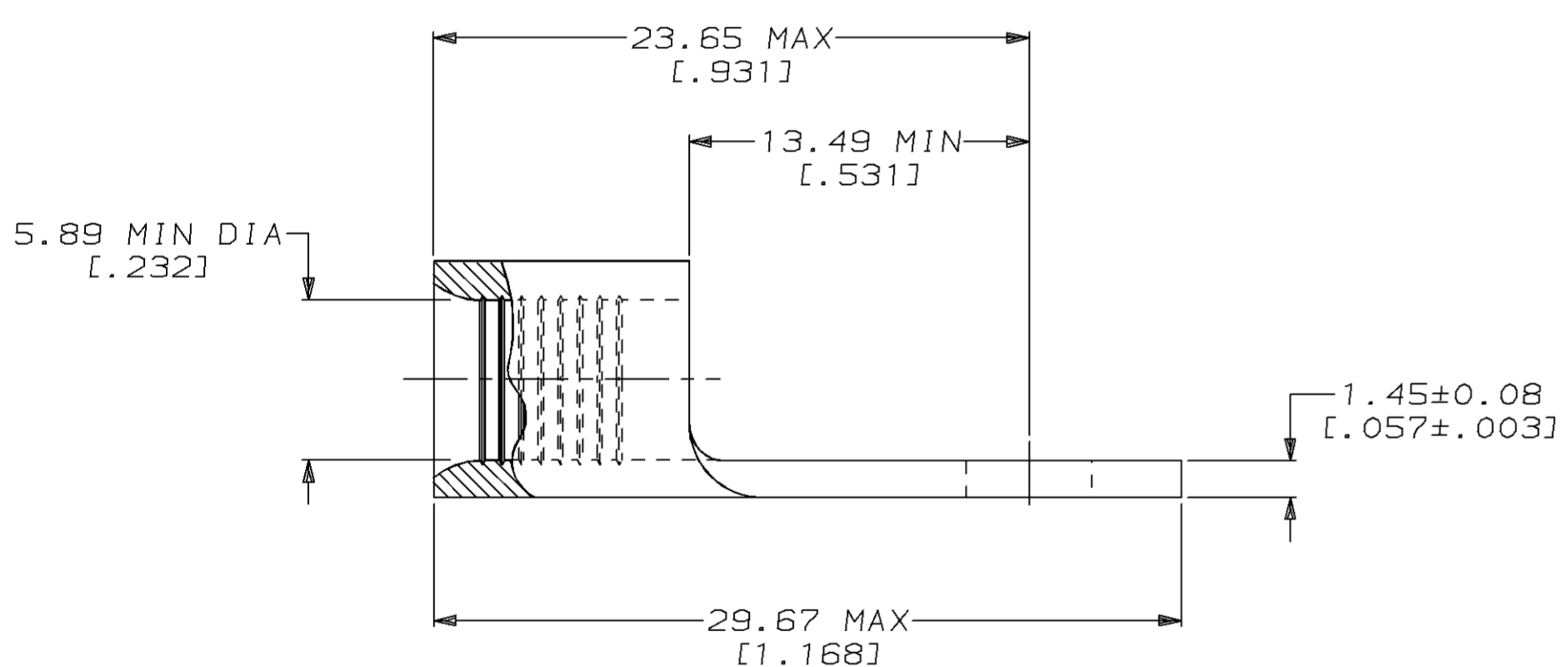
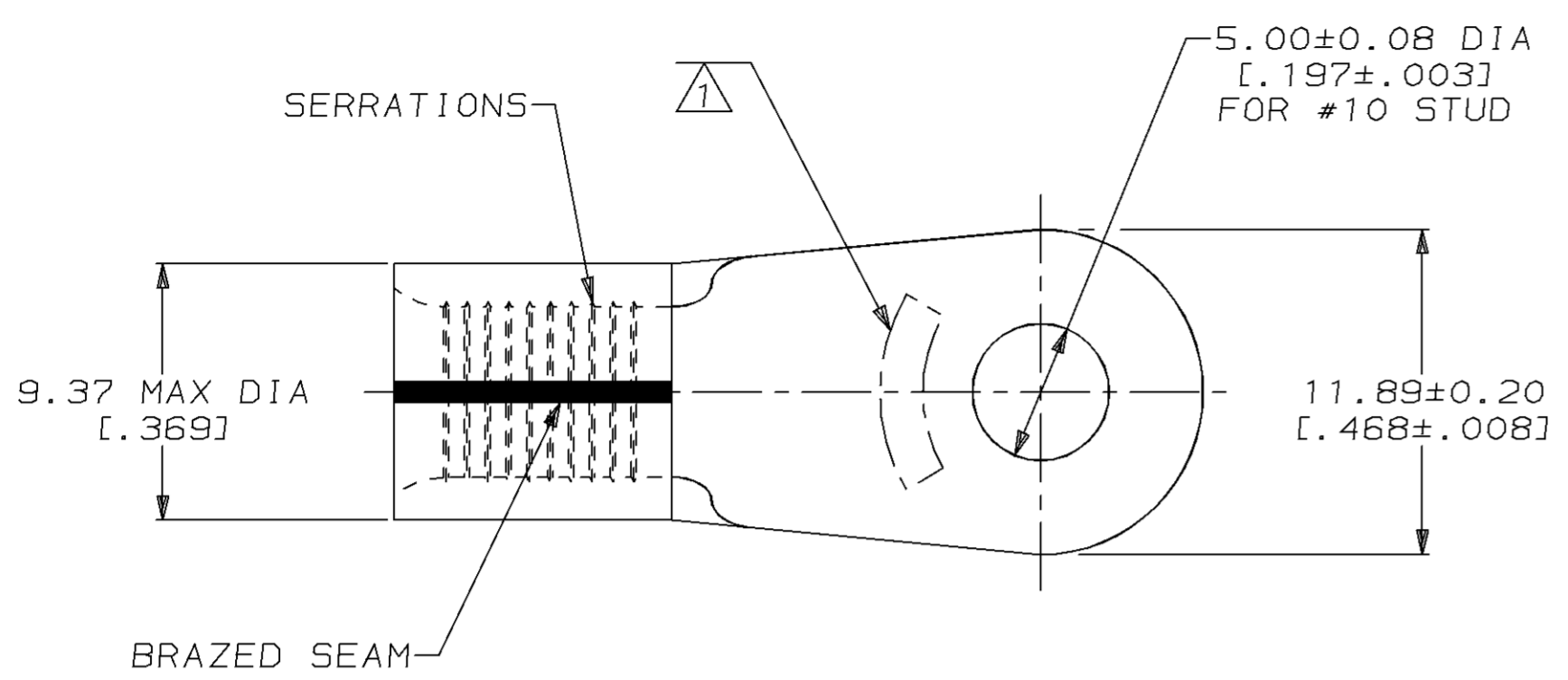
THIS DRAWING IS UNPUBLISHED. RELEASED FOR PUBLICATION, 19 .  
 © COPYRIGHT 19 BY AMP INCORPORATED. ALL INTERNATIONAL RIGHTS RESERVED.

LOC	DIST	P	F	ZONE	LTR	DESCRIPTION	DATE	APPD
G	14					S REVISED PER 0L20-0127-97	09JUL97	OKS CHK

**METRIC**  
 DIMENSIONS LISTED IN mm [ INCHES ]

<b>AMP</b> WIRE RANGE	<b>UL</b> E13288 Listed
6 AWG SOLID OR STRANDED	6 AWG STRANDED
<b>SR</b> LR7189 Certified	MILITARY P/N AND CLASS
6 AWG SOLID OR STRANDED	MS20659-130 CLASS 2 PN 321298 ONLY

△ STAMP AMP 6\* APPROX AS SHOWN



25	LOOSE PIECE BOX 321298	TIN PLATE 0.00254[.000100] MIN THK PER MIL-T-10727	8-321298-3
750	ON TAPE REEL 321298	TIN PLATE 0.00254[.000100] MIN THK PER MIL-T-10727	2-321298-6
----	LOOSE PIECE	UNPLATED	2-321298-4
----	LOOSE PIECE	TIN PLATE 0.00254[.000100] MIN THK PER MIL-T-10727	321298
QUANTITY	PACKAGE TYPE	FINISH	PART NO

**AMP INCORPORATED**  
**CUSTOMER SERVICE SYSTEMS**

FOR ADDITIONAL PRODUCT INFORMATION OR COPIES OF DRAWINGS AND TECHNICAL DOCUMENTS  
 PRODUCT INFORMATION CENTER  
 1-800-522-6752

FOR APPLICATION TOOLING INFORMATION  
 TOOLING ASSISTANCE CENTER  
 1-800-722-1111

FOR ORDER ENTRY  
 1-800-526-5142

MAX RECOMMENDED OPERATING TEMPERATURE:  
 170°C MAX

VOLTAGE RATING:  
 NOT APPLICABLE

WIRE CROSS SECTIONAL AREA RANGE:  
 10.5-16.8mm<sup>2</sup> [20,800-33,100] CIR MILS  
 SOLID OR STRANDED

THIS DRAWING IS A CONTROLLED DOCUMENT FOR AMP INCORPORATED. IT IS SUBJECT TO CHANGE AND THE CONTROLLING ENGINEERING ORGANIZATION SHOULD BE CONTACTED FOR THE LATEST REVISION.

DO NOT SCALE PRINT. UNLESS SPECIFIED DIMENSIONS IN mm [INCHES]— TOLERANCES ON :  
 2 PLC DEC ± -  
 3 PLC DEC ± -  
 ANGLES ± -

MATERIAL  
 COPPER PER ASTM B-152 ANNEALED

FINISH  
 SEE TABLE

DR 3-24-93  
 TA BRINKMAN  
 CHK 3-24-93  
 DA PATTERSON  
 APPD 3-24-93  
 DE MILLER  
 APPD 3-24-93  
 JL MECKLEY  
 PRODUCT SPEC -  
 APPLICATION SPEC -  
 WEIGHT -

**AMP** AMP Incorporated  
 Harrisburg, PA 17105-3608

NAME  
**TERMINAL, RING TONGUE,  
 SOLISTRAND™**

SIZE CAGE CODE DRAWING NO  
 C 00779 G=321298

SCALE 4:1 SHEET 1 OF 1