

Distributed by:

JAMECO[®]
ELECTRONICS

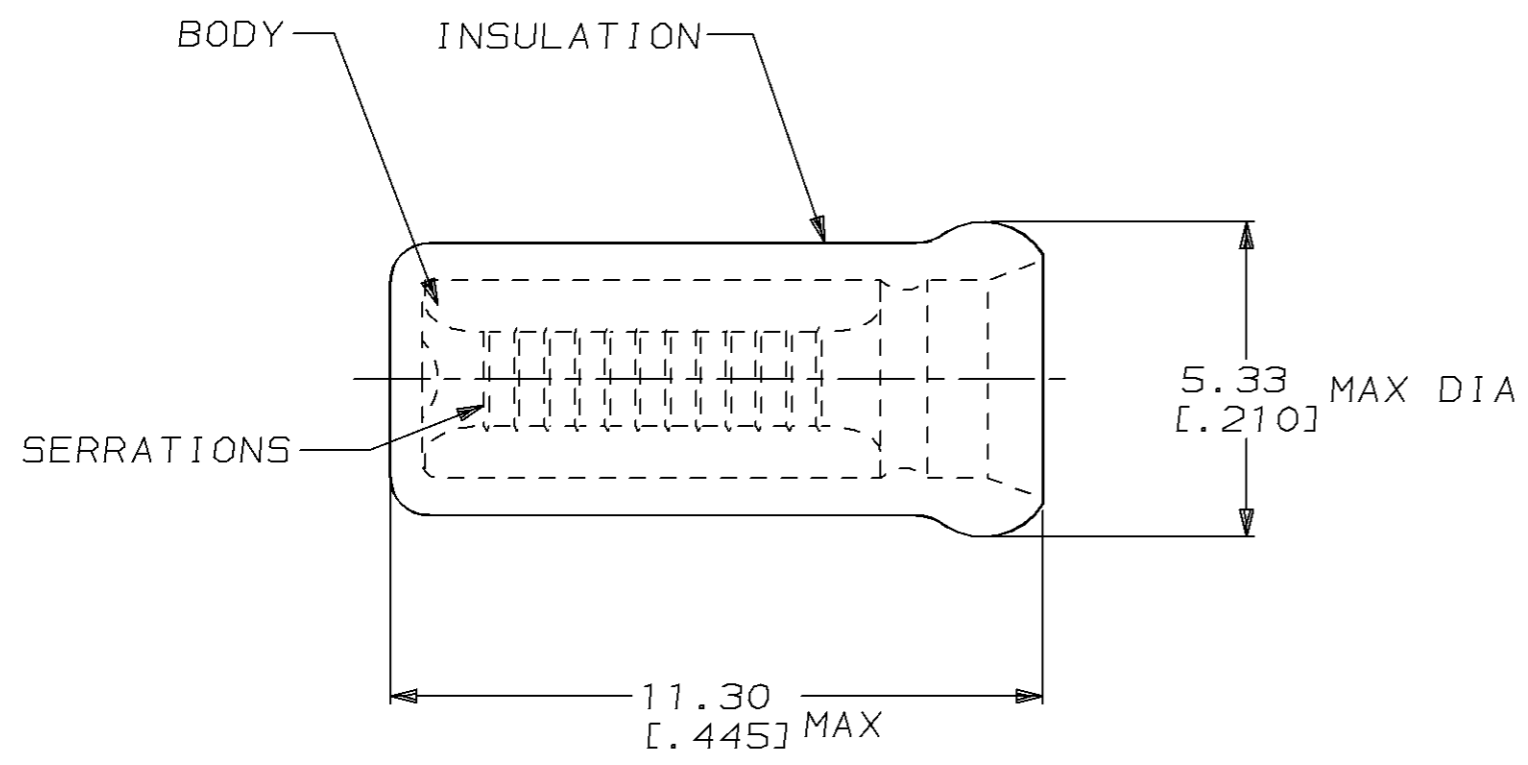
www.Jameco.com ♦ 1-800-831-4242

The content and copyrights of the attached
material are the property of its owner.

Jameco Part Number 843286

THIS DRAWING IS UNPUBLISHED. RELEASED FOR PUBLICATION ,19 .
 © COPYRIGHT 19 BY AMP INCORPORATED. ALL RIGHTS RESERVED.

LOC	DIST	REVISIONS			
P	LTR	DESCRIPTION	DATE	DWN	APVD
G	14	F	REV / 0720-0906-96	21MAR96	LO ME



1. USE FOR STRIPPED (SINGLE) WIRE END ONLY
2. WIRE INSUL DIA, 3.15 [.124] MAX

MILITARY P/N & CLASS	QTY	PACKAGE TYPE	PART NO
-	100	LOOSE PIECE, BOX	8-328307-1
MS25274/2 CLASS 1 & 2	1000	LOOSE PIECE	328307

**AMP INCORPORATED
CUSTOMER SERVICE SYSTEM**

FOR ADDITIONAL PRODUCT INFORMATION OR COPIES OF DRAWINGS AND TECHNICAL DOCUMENTS: PRODUCT INFORMATION CENTER 1-800-522-6752

FOR APPLICATION TOOLING INFORMATION: TOOLING ASSISTANCE CENTER 1-800-722-1111

FOR ORDER ENTRY: 1-800-526-5142

MAX RECOMMENDED OPERATING TEMPERATURE: 105°C [221°F]

VOLTAGE RATING: -

CIRCULAR MIL AREA: 0.26mm² - 1.65mm² [509-3, 248]

THIS DRAWING IS A CONTROLLED DOCUMENT FOR AMP INCORPORATED. IT IS SUBJECT TO CHANGE AND THE CONTROLLING ENGINEERING ORGANIZATION SHOULD BE CONTACTED FOR THE LATEST REVISION.

DIMENSIONS: mm [in]	TOLERANCES UNLESS OTHERWISE SPECIFIED:
	0 PLC ±-
	1 PLC ±-
	2 PLC ±0.20 [.008]
	3 PLC ±-
	4 PLC ±-
ANGLES ±-	

MATERIAL: BODY, CU PER ASTM B152; INSUL, NYLON, COLOR, RED; FINISH: BODY, TIN PLATE PER MIL-T-10727

DWN	L OLMEDA	21MAR96
CHK	M ELLIS	21MAR96
APVD	K FERREK	21MAR96
PRODUCT SPEC	-	-
APPLICATION SPEC	-	-
WEIGHT	-	-

AMP AMP Incorporated
Harrisburg, PA 17105-3608

NAME: SPARE WIRE CAP, WIRE SIZE, 22-18 AWG

SIZE: A3 CAGE CODE: 00779 DRAWING NO: C-328307

CUSTOMER DRAWING SCALE: 8:1 SHEET: 1 OF 1 REV: F