

Distributed by:

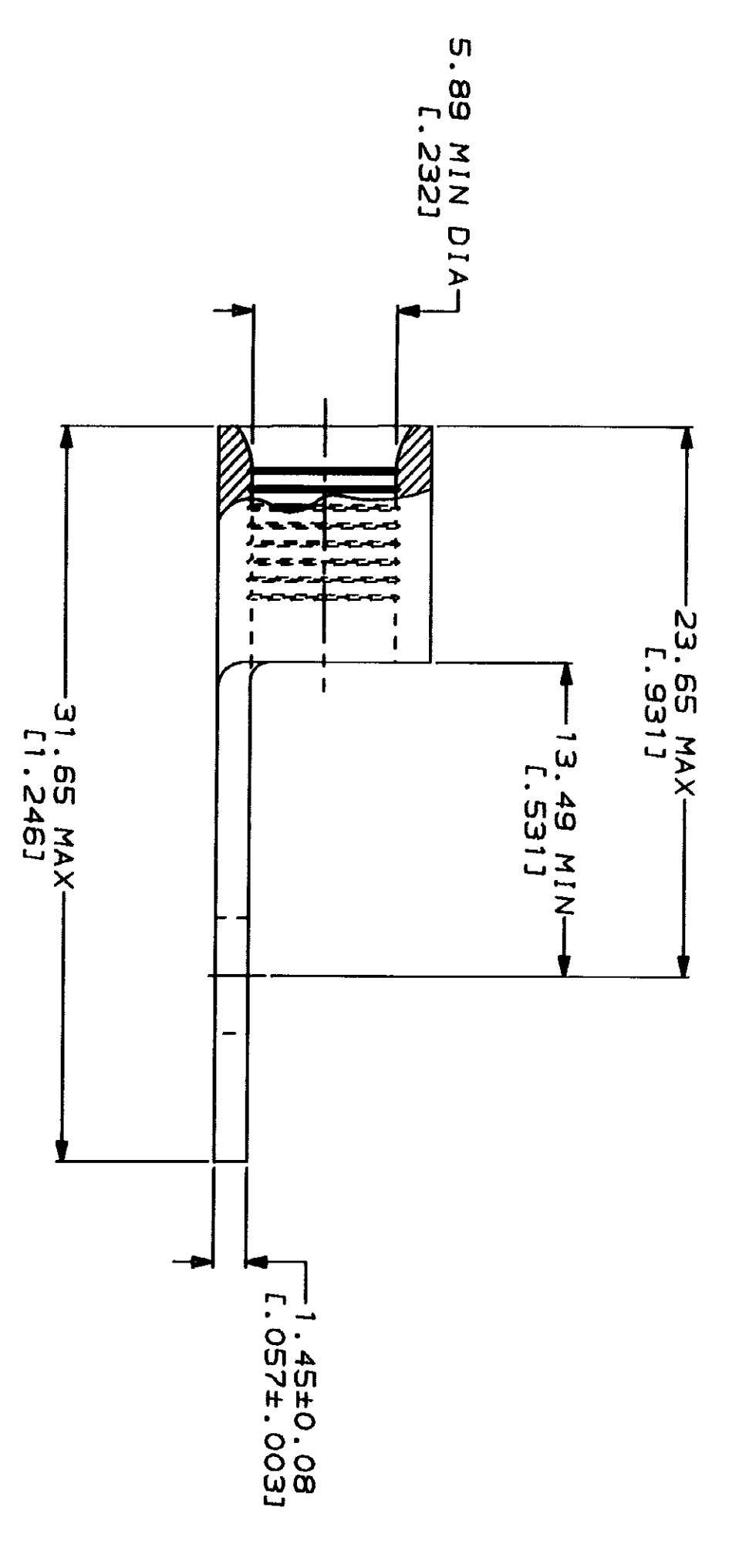
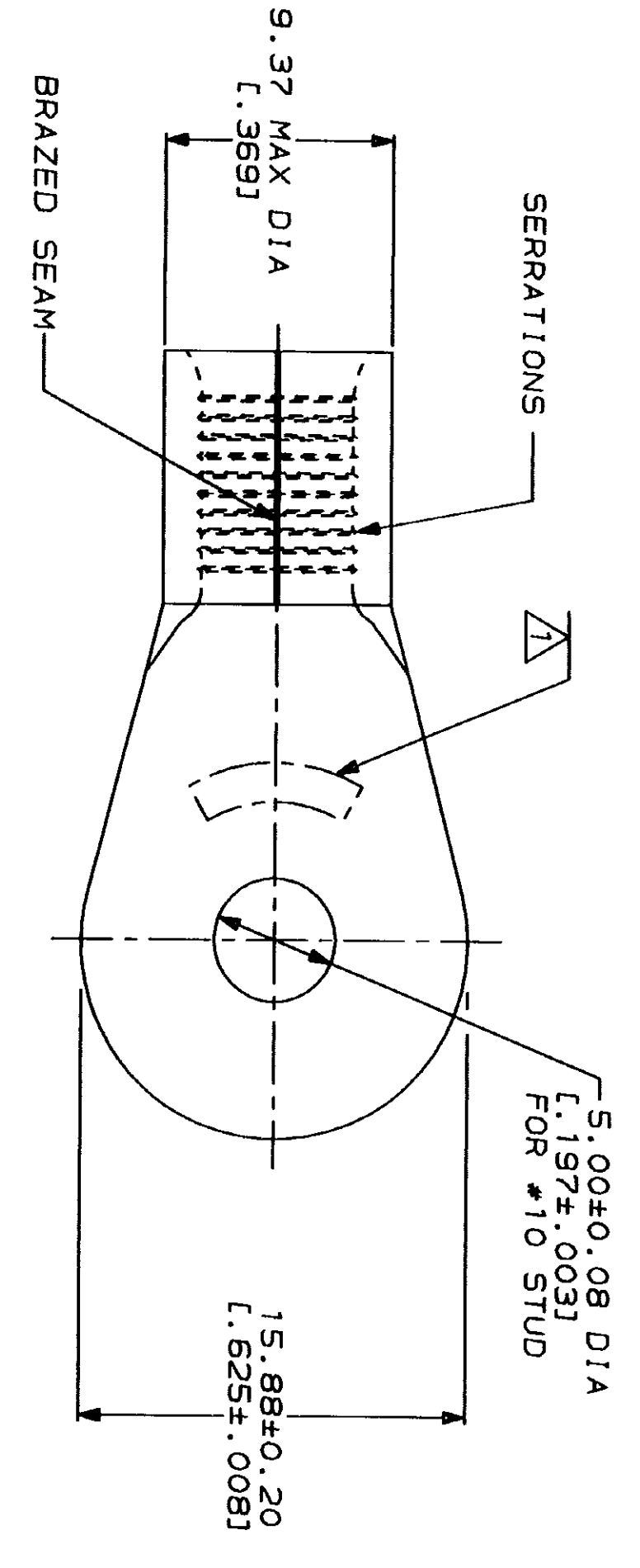
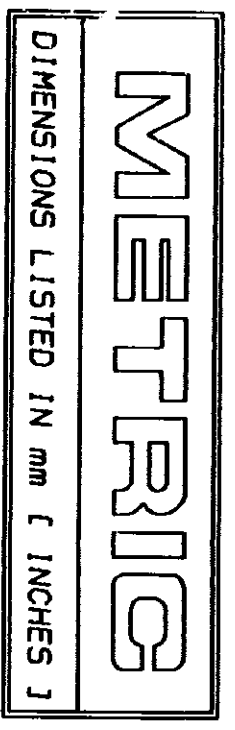
JAMECO[®]
ELECTRONICS

www.Jameco.com ♦ 1-800-831-4242

The content and copyrights of the attached
material are the property of its owner.

Jameco Part Number 843876

LOC	DIST	REV	DATE	APP'D
G	14			
REVISIONS				
			2/10/94	
DESCRIPTION				
REVISED PER 0720-0020-94				



△ STAMP AMP 6* APPROX AS SHOWN

AMP WIRE RANGE	UL E13288 Listed
6 AWG SOLID OR STRANDED	6 AWG STRANDED
6 AWG SOLID OR STRANDED	MILITARY P/N AND CLASS
6 AWG SOLID OR STRANDED	NOT APPLICABLE

AMP INCORPORATED
CUSTOMER SERVICE SYSTEMS

FOR ADDITIONAL PRODUCT INFORMATION OR COPIES OF DRAWINGS AND TECHNICAL DOCUMENTS
1-800-522-6752

FOR APPLICATION TOOLS ASSISTANCE CENTER
1-800-722-1111

FOR ORDER ENTRY
1-800-526-5142

MAX RECOMMENDED OPERATING TEMPERATURE: 170°C MAX

VOLTAGE RATING: NOT APPLICABLE

WIRE CROSS SECTIONAL AREA RANGE, SOLID OR STRANDED
10.5-16.8mm² [20,800-39,100] CIR MILS

DO NOT SCALE PRINT. UNLESS SPECIFIED DIMENSIONS IN MILLIMETERS - TOLERANCES ON: 1. ANGLES 2. PLC DEC # 3. PLG DEC #

MATERIAL: COPPER PER ASTM B-152 ANNEALED

FINISH: TIN PLATE 0.00254 [L.000100] MIN THK PER MIL-T-10727

DR 3-24-93 TA BRINKMAN
CHK 3-24-93 DA PATTERSON
APPD 3-24-93 DE MILLER
APPD 3-24-93 JL NECKLEY

AMP Incorporated
Harrisburg, PA 17105-3608

TERMINAL, RING TONGUE, SOLISTRAND™

SIZE: 00779
CAGE CODE: 00779
DRAWING NO: 33464
SCALE: 4:1

QUANTITY	PACKAGE TYPE	PART NO
50	LOOSE PIECE, BOX	8-33464-2
750	TAPE MOUNTED	2-33464-2
-	LOOSE PIECE	33464