

Distributed by:

**JAMECO**<sup>®</sup>  
ELECTRONICS

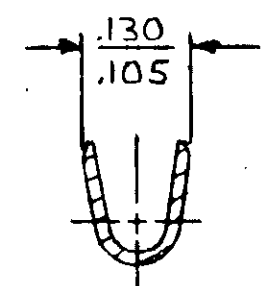
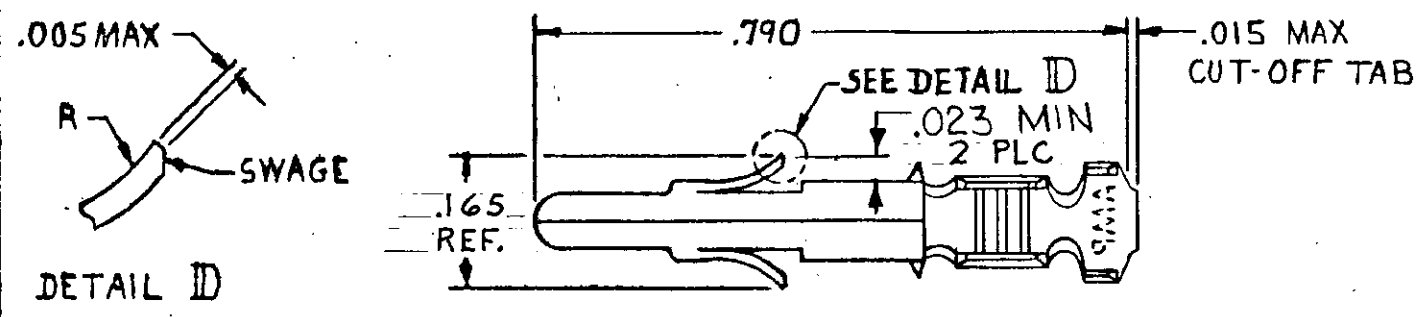
**www.Jameco.com ♦ 1-800-831-4242**

The content and copyrights of the attached  
material are the property of its owner.

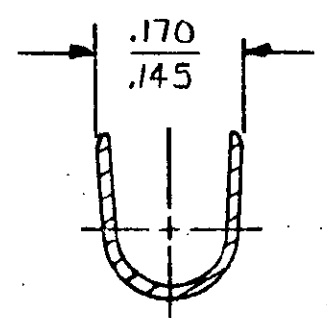
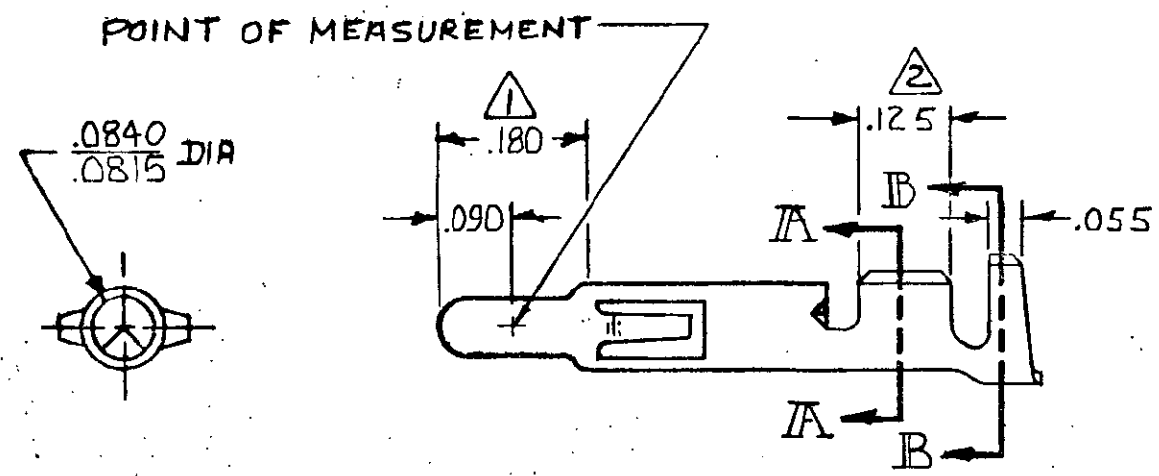
Jameco Part Number 845732

© COPYRIGHT 1973 BY AMP INCORPORATED, HARRISBURG, PA.  
 ALL INTERNATIONAL RIGHTS RESERVED. AMP INCORPORATED PRODUCTS  
 COVERED BY U. S. AND FOREIGN PATENTS AND/OR PATENTS PENDING.

| REVISIONS |   |      |                |                          |          |          |
|-----------|---|------|----------------|--------------------------|----------|----------|
| P         | F | ZONE | LTR            | DESCRIPTION              | DATE     | APPROVED |
| ✓         | ✓ |      | H              | REDRAWN + UPDATED M-6457 | 6-8-81   | MSF/ΔH   |
| ✓         | ✓ |      | J              | REVISED M-7350           | 7/2/83   | MSF/ΔH   |
| ✓         | ✓ |      | K              | REVISED AG 57            | 10/21/83 | MSF/ΔH   |
| ✓         | ✓ |      | K <sub>1</sub> | RESTORED                 | 4/3/85   | MSF/ΔH   |
| ✓         | ✓ |      | L              | REVISED PER CM-1728      | 9-6-88   | PH JB    |
| ✓         | ✓ |      | M              | REVISED PER CM-3286      | 2-7-91   | PH RS    |
| ✓         | ✓ |      | N              | REV PER EC 0730-3607-91  | 1-7-94   | RV RS    |
| ✓         | ✓ |      | P              | REV PER EC 0730-0156-94  | 8-24-94  | RV RS    |



SECTION A-A



SECTION B-B

- ① PLATED WITH .000030 GOLD, OVER .000050 NICKEL UNDERPLATE
- ② PLATED INTERNALLY WITH .000030 GOLD.

|         |     |               |          |
|---------|-----|---------------|----------|
| GOLD    | ①   | .012 BRASS    | 350547-7 |
|         |     | .012 PH. BRZ  | 350547-6 |
| PRE-TIN |     | .012 PH. BRZ. | 350547-3 |
| GOLD    | ①/② | .012 BRASS    | 350547-2 |
| PRE-TIN |     |               | 350547-1 |
| FINISH  |     | MATERIAL      | PART NO  |

|  |                          |   |                     |
|--|--------------------------|---|---------------------|
| UNLESS OTHERWISE SPECIFIED DIMENSIONS ARE IN INCHES. TOLERANCES ON:<br>DECIMALS ± .015<br>ANGLES ± | CONTRACT NO              | AMP   AMP INCORPORATED<br>Harrisburg, Pa.       |                     |
|  | DR M.FEHER 5-6-81        | NAME PIN, (LOOSE PIECE)<br>UNIVERSAL MATE-N-LOK |                     |
|  | CHK D.S. Heide 6/9/81    | SIZE B  | CODE IDENT NO 00779 |
| WIRE RANGE<br>20-14 AWG  | APPD A. Polachuk 6-10-81 | DRAWING NO 350547                               |                     |
| INSULATION RANGE<br>.130 DIA MAX.  | DSCN APPD                | SCALE 4-1                                       | SHEET #             |
|  | OTHER APPD               |   |                     |