

Distributed by:

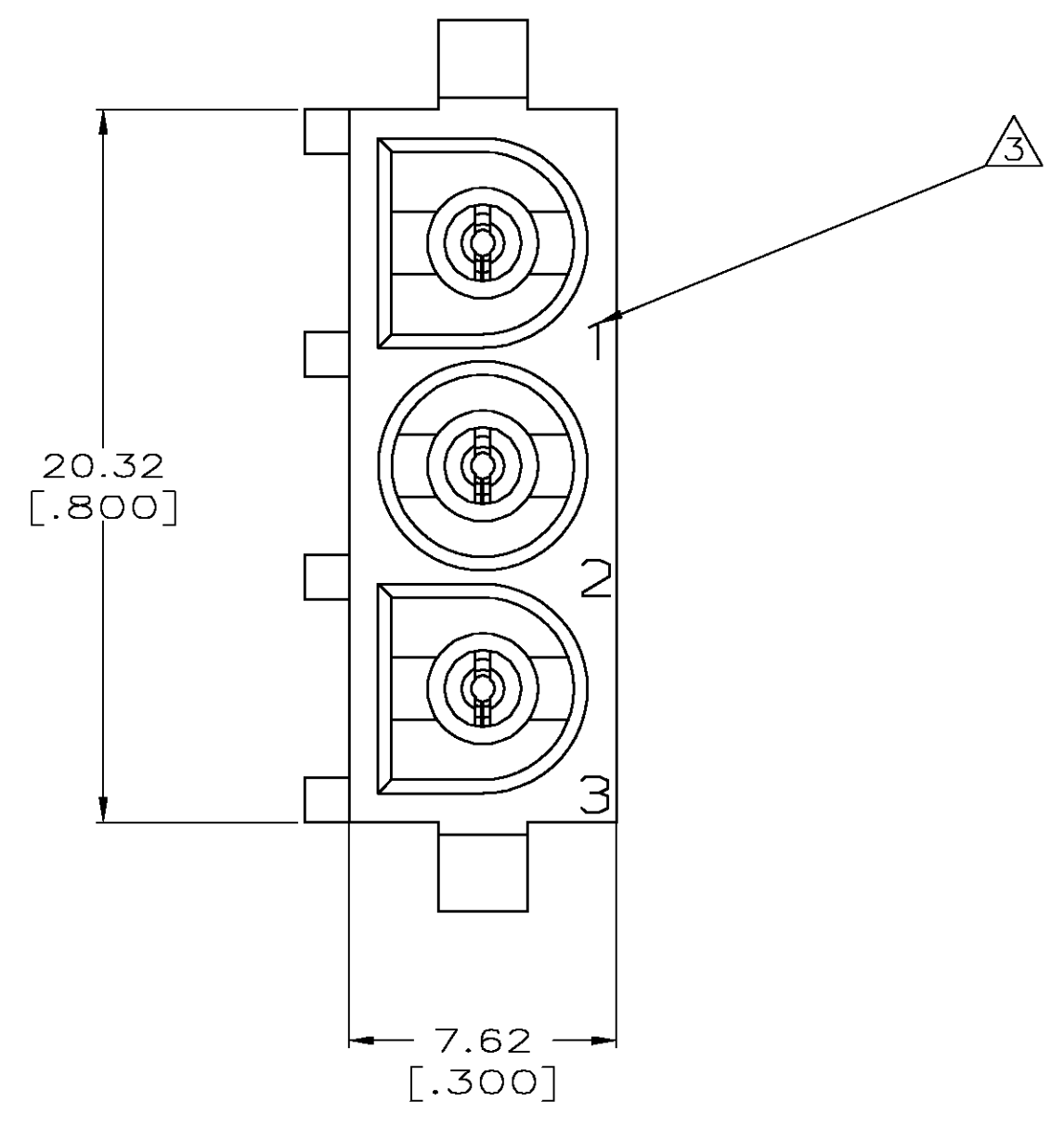
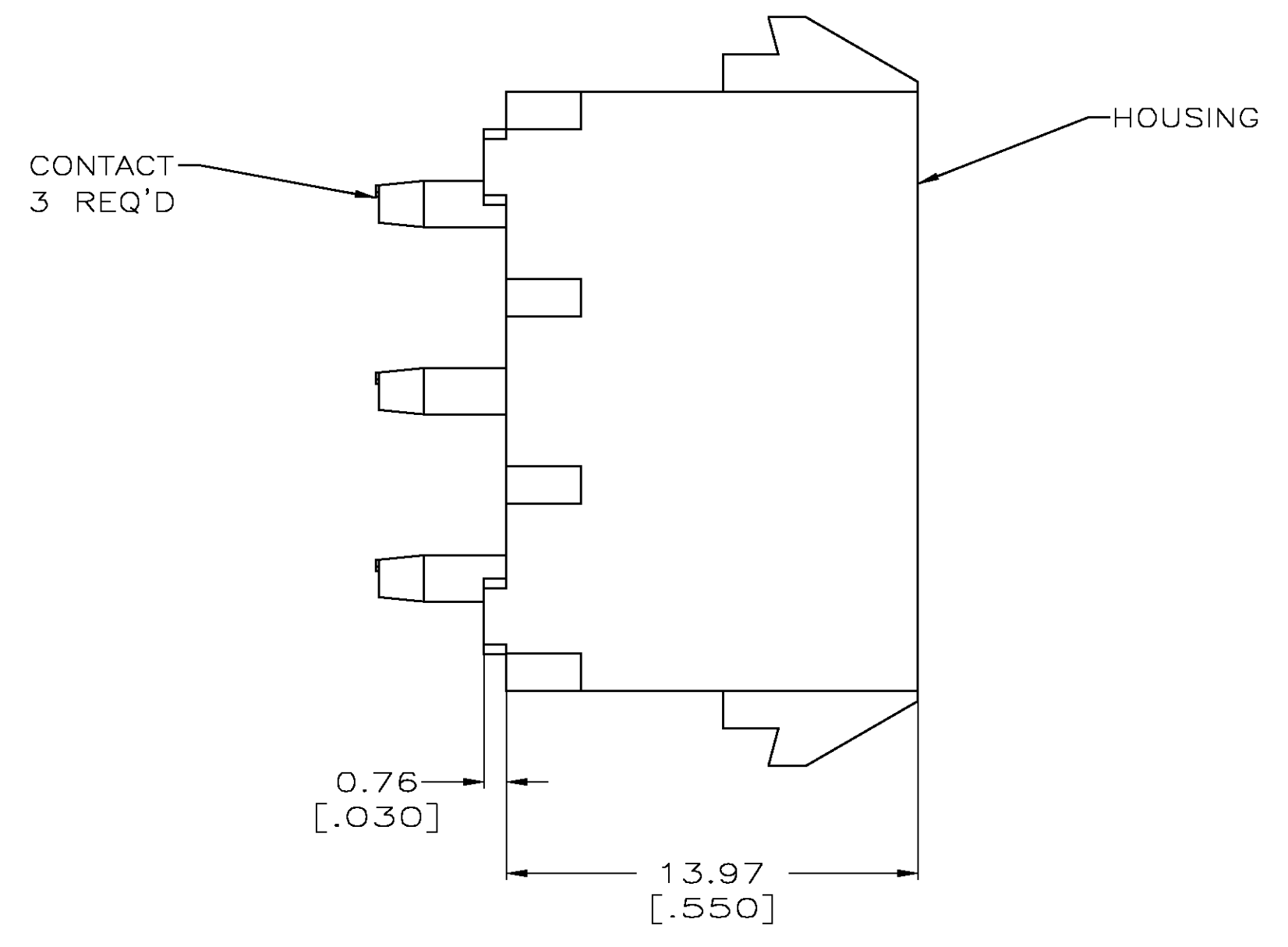
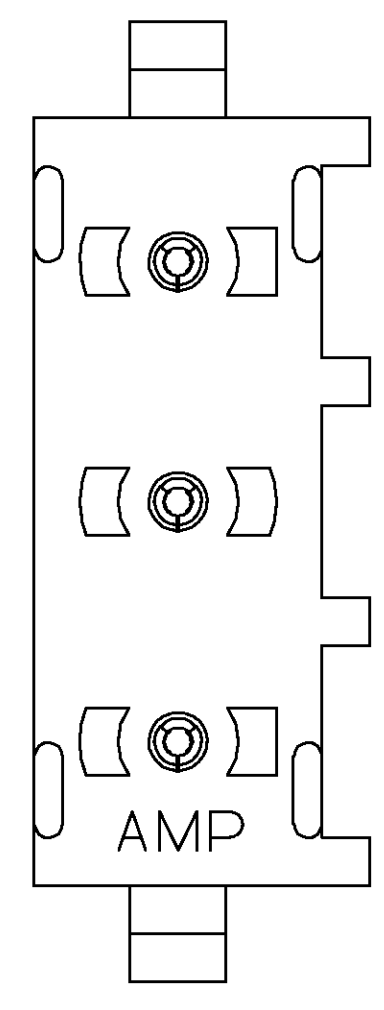
JAMECO[®]
ELECTRONICS

www.Jameco.com ♦ 1-800-831-4242

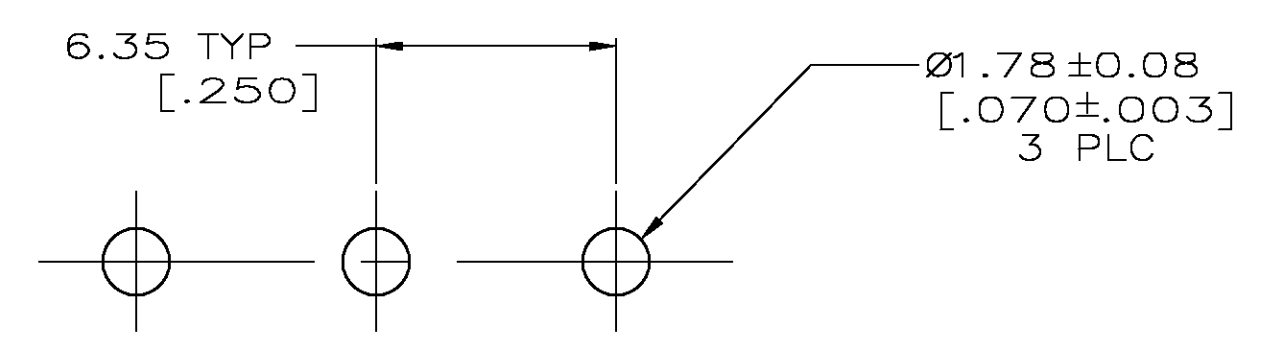
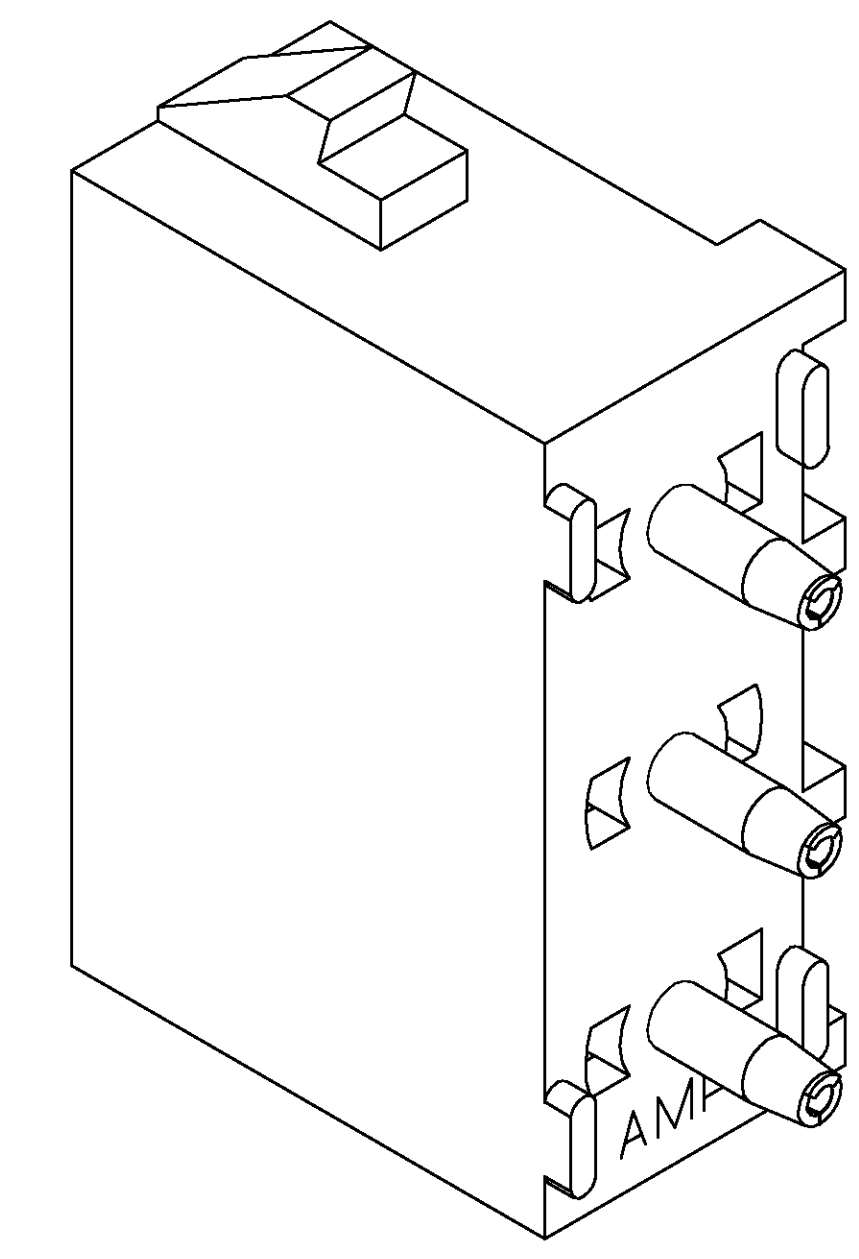
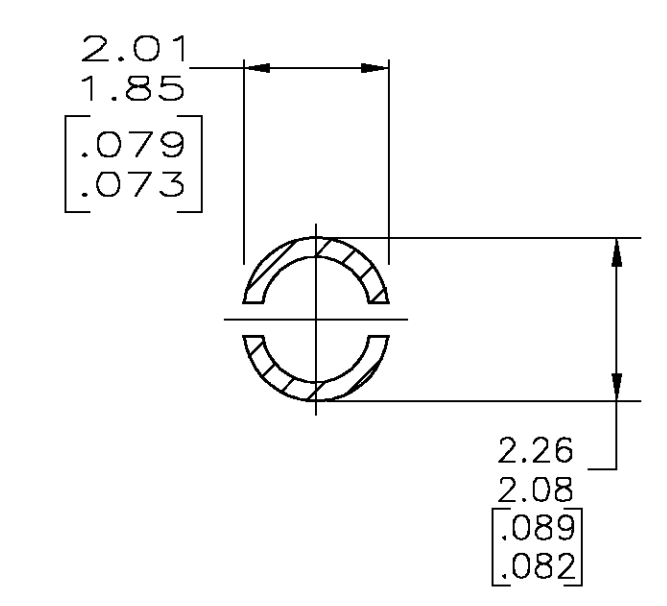
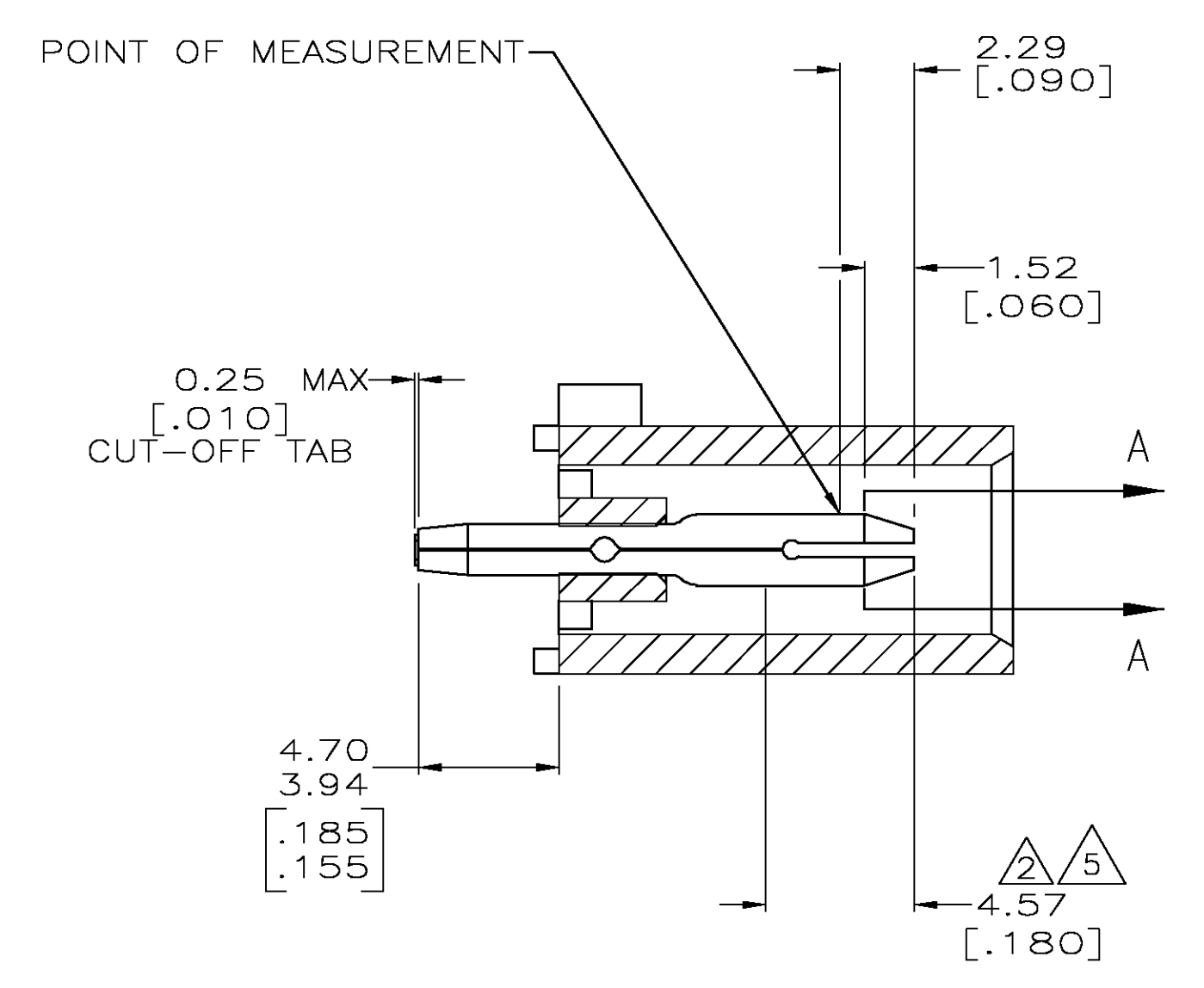
The content and copyrights of the attached
material are the property of its owner.

Jameco Part Number 846532

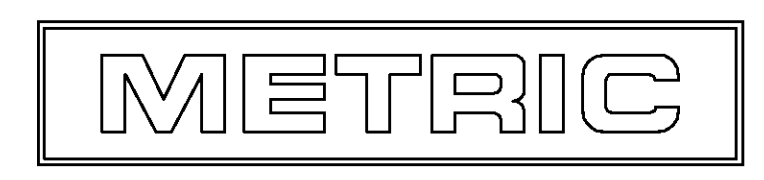
LOC		DIST		REVISIONS			
P	LR	DESCRIPTION	DATE	BY	APPD	REV	PER
R		REV PER ECN 063B-0341-03	23JUN03	SC	SR		



- PARTS COMPLY TO AMP SOLDERABILITY SPECIFICATION 109-11-3.
- CONTACT IS PLATED OVERALL WITH 0.00127 [.000050] NICKEL, THEN 0.00076 [.000030] GOLD OVER CONTACT LENGTH INDICATED AND MATTE TIN-LEAD ON SOLDER TAIL END.
- CIRCUIT IDENTIFICATION CHARACTERS ARE ADJACENT TO THE INDICATED CAVITIES, BUT LOCATION AND ORIENTATION MAY DIFFER FROM PRINT.
- DIMENSIONS IN BRACKETS ARE IN INCHES.
- CONTACT IS PLATED OVERALL WITH 0.00127 [.000050] NICKEL, THEN 0.00076 [.000030] GOLD OVER CONTACT LENGTH INDICATED AND MATTE TIN ON SOLDER TAIL END.



PHOSPHOR BRONZE, GOLD $\Delta 5$	NYLON, UL94V-0, WHITE	350789-3
PHOSPHOR BRONZE, GOLD $\Delta 2$	NYLON, UL94V-0, WHITE	350789-2
PHOSPHOR BRONZE, PRE-TIN	NYLON, UL94V-0, WHITE	350789-1
PIN CONTACT MATERIAL AND FINISH	HOUSING MATERIAL	PART NUMBER



THIS DRAWING IS A CONTROLLED DOCUMENT.

DIMENSIONS: MM	TOLERANCES UNLESS OTHERWISE SPECIFIED:	0 PLC ±	1 PLC ±	2 PLC ± 0.13 [.005]	3 PLC ±	4 PLC ±	ANGLES ± 0.30°	FINISH SEE TABLE
MATERIAL SEE TABLE	WEIGHT	A1 00779 C=350789		CUSTOMER DRAWING		SCALE 5:1	SHEET 1 OF 1	REV R

DWN: S. CARPENTER 23JUN2003
 CHK: S. RIDGILL 23JUN2003
 APVD: S. RIDGILL 23JUN2003
 Tyco Electronics Corporation, Harrisburg, PA 17105
 PIN HEADER ASSEMBLY, 3 CIRCUIT
 SIZE: A1 CAGE CODE: 00779 DRAWING NO: 350789