

Distributed by:

JAMECO[®]
ELECTRONICS

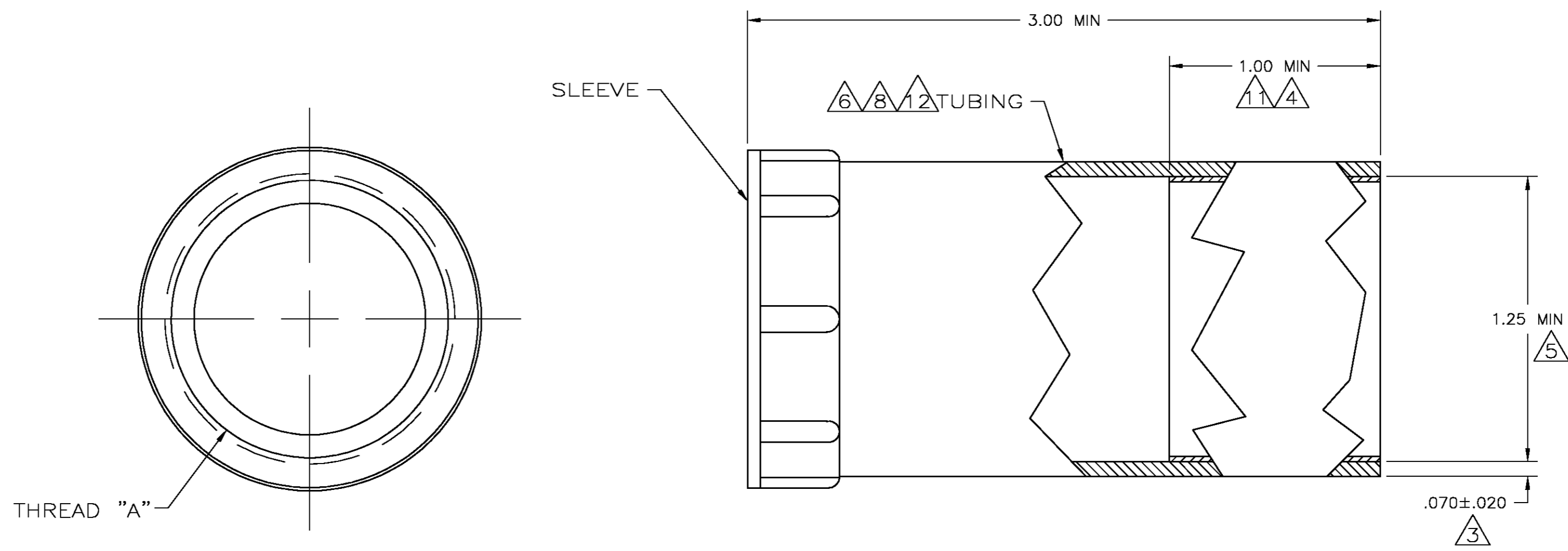
www.Jameco.com ♦ 1-800-831-4242

The content and copyrights of the attached
material are the property of its owner.

Jameco Part Number 852086

THIS DRAWING IS UNPUBLISHED. RELEASED FOR PUBLICATION
 © COPYRIGHT BY TYCO ELECTRONICS CORPORATION. ALL RIGHTS RESERVED.

LOC	DIST	REVISIONS			
P	LTR	DESCRIPTION	DATE	DWN	APVD
FT	0	V	REVISED PER 0G3B-0366-04	4/29/04	SS SH



- NOTES:
- 1 POLYOLEFIN, BLACK.
 - 2 NYLON, BLACK.
 - 3 NOMINAL WALL THICKNESS, EXPANDED.
 - 4 LENGTH OF SEALANT.
 - 5 EXPANDED INSIDE DIAMETER.
 - 6 12.70[.500] MAXIMUM RECOVERED INSIDE DIAMETER.
 - 7. ASSEMBLY WILL PASS 0.0703 KG PER SQ CENTIMETER [ONE POUND PER SQ IN.] WATER PRESSURE TEST.
 - 8 121°C [250°F] SHRINK TEMPERATURE.
 - 9. -55°C TO 110°C [-67°F TO 230°F] OPERATING TEMPERATURE.
 - 10. THIS PART WILL ACCOMODATE $\phi 13.97 - \phi 31.75$ [$\phi 0.550 - \phi 1.250$] CABLE RANGE.
 - 11 NO SEALANT APPLIED.
 - 12 ACTUAL SHAPE MAY VARY DUE TO PROCESS VARIANCE.

11	1	7/16-18 UNEF-2B	54012-6
11	1	3/8-18 UNEF-2B	54012-5
	1	7/16-18 UNEF-2B	54012-4
	1	3/16-18 UNEF-2B	54012-3
	1	3/8-18 UNEF-2B	54012-1
THREAD "A"			PART NUMBER

THIS DRAWING IS A CONTROLLED DOCUMENT.		DWN C.REIFSNYDER 10 APR 96	Tyco Electronics Corporation Harrisburg, PA 17105	
DIMENSIONS: INCHES		CHK R.STONE 15 APR 95	NAME T.A.WETZEL 03 MAY 96	
TOLERANCES UNLESS OTHERWISE SPECIFIED:		APVD T.A.WETZEL 03 MAY 96	PRODUCT SPEC	
0 PLC ± -		APPLICATION SPEC		
1 PLC ± -		WEIGHT -		
2 PLC ± -		SIZE A2		
3 PLC ± -		CAGE CODE 00779		
4 PLC ± -		DRAWING NO C=54012		
ANGLES ± -		RESTRICTED TO -		
FINISH -		SCALE 2:1		
MATERIAL		SHEET 1 OF 1		
TUBING: 1		REV V		
SLEEVE: 2		CUSTOMER DRAWING		

54012