

Distributed by:

JAMECO[®]
ELECTRONICS

www.Jameco.com ♦ 1-800-831-4242

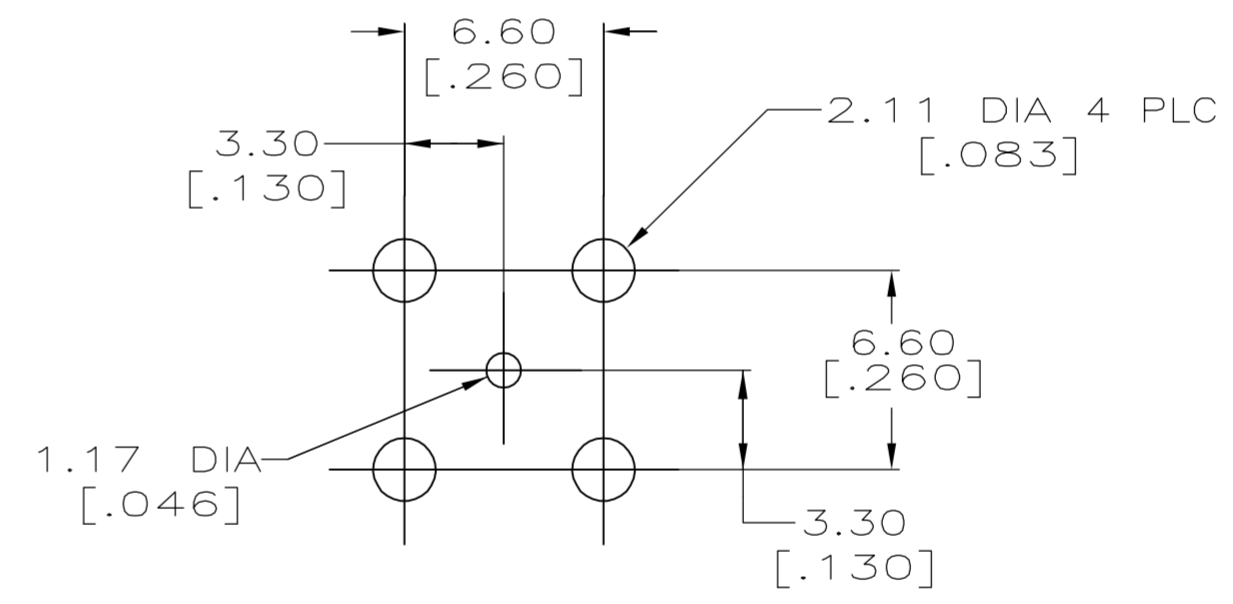
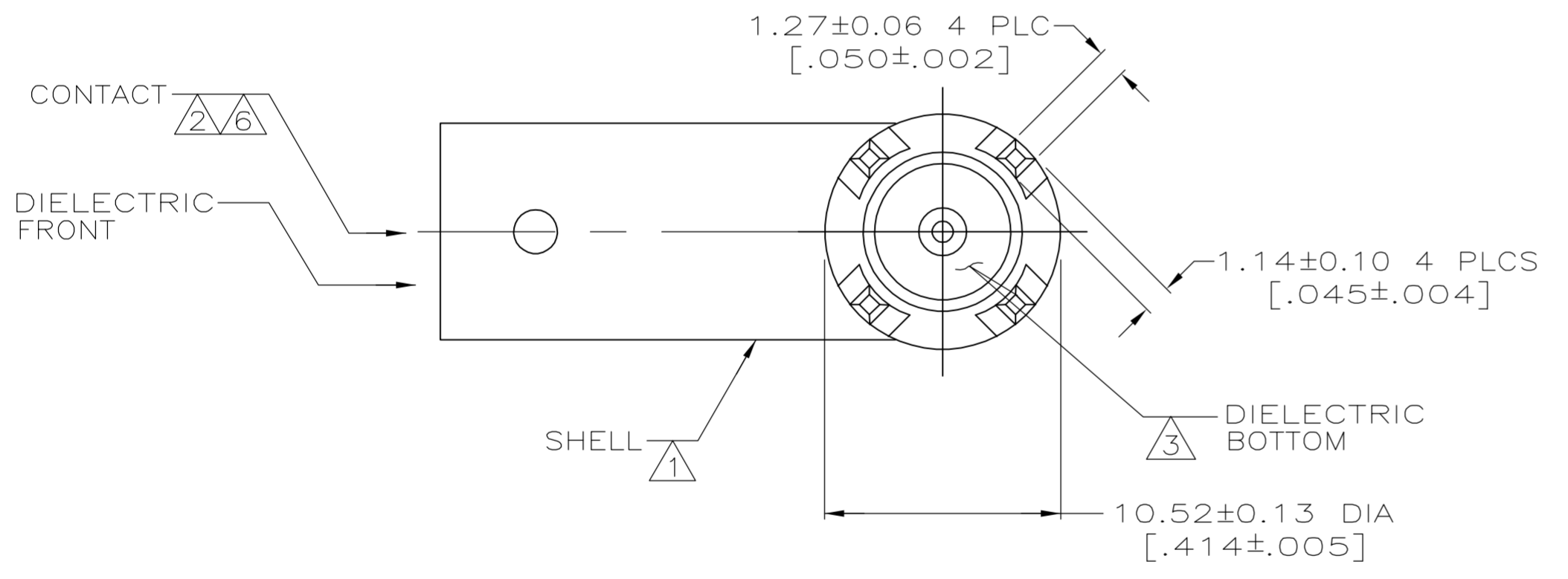
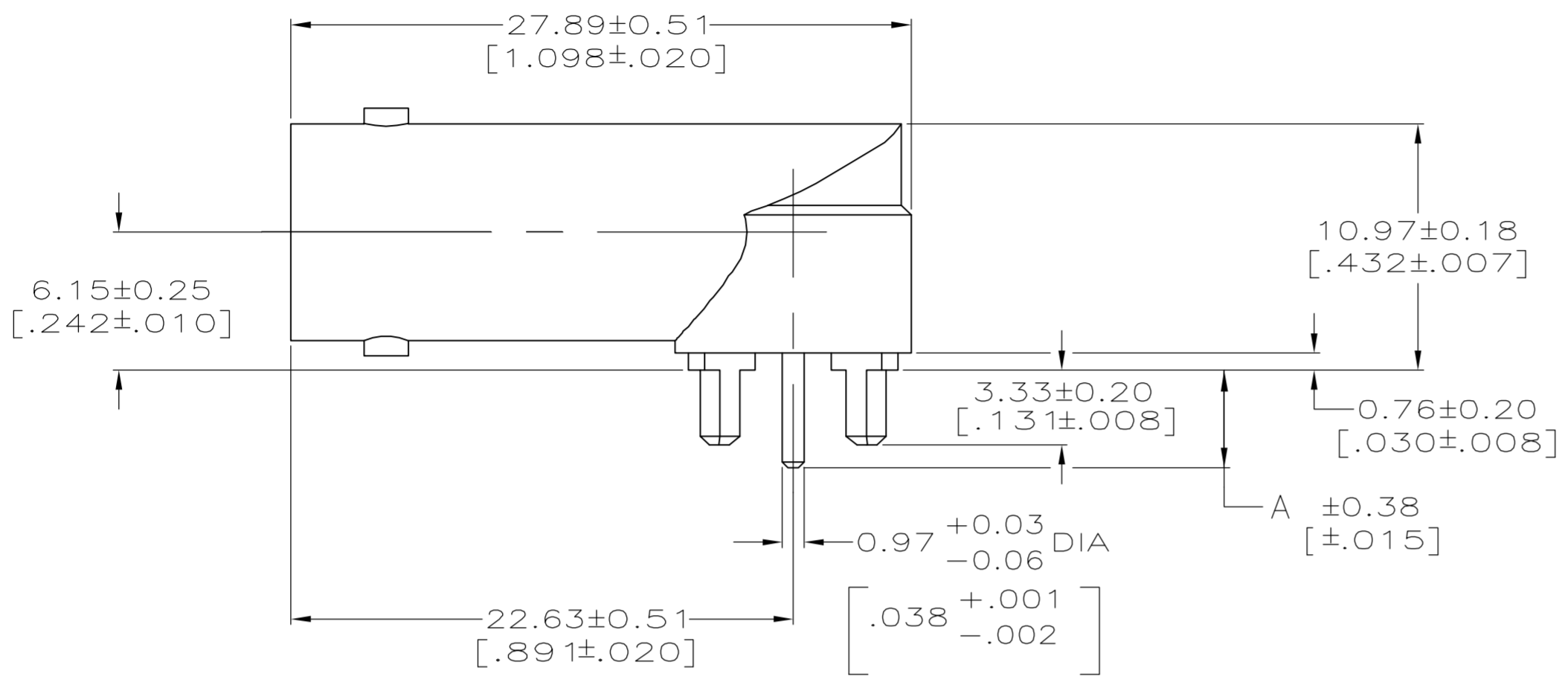
The content and copyrights of the attached
material are the property of its owner.

Jameco Part Number 852107

THIS DRAWING IS UNPUBLISHED. RELEASED FOR PUBLICATION
 © COPYRIGHT BY TYCO ELECTRONICS CORPORATION. ALL RIGHTS RESERVED.

LOC	DIST	REVISIONS			
P	LTR	DESCRIPTION	DATE	DWN	APVD
AJ	16	A	REVISED PER EC OS14-0150-05	25AUG05	BM JL

- ① ZINC PER QQ-Z-363.
- ② BERYLLIUM COPPER PER QQ-C-530.
- ③ PTFE PER MIL-P-19468.
- ④ NICKEL PLATE PER QQ-N-290, 3.81μm [.000150] MINIMUM THICK.
- ⑤ TIN PLATE PER ASTM-B-545, 3.04μm [.000120] MINIMUM THICK OVER NICKEL PLATE PER MIL-C-26074, 7.62μm [.000300] MINIMUM THICK.
- ⑥ GOLD PLATE PER MIL-G-45204, 1.27μm [.000050] MINIMUM THICK.
- ⑦ INTERFACE PER MIL-C-39012.
- ⑧ POLYMETHYLPENTENE, GENERAL PURPOSE



PCB CONFIGURATION

3.33 [.131]	④	⑧	5413631-3
4.34 [.171]	⑤	③	5413631-2
4.34 [.171]	④	⑧	5413631-1
A	FINISH: SHELL	MATERIAL: DIELECTRIC, FRONT	PART NUMBER

THIS DRAWING IS A CONTROLLED DOCUMENT.		DWN B.MCMMASTER 03JAN05	Tyco Electronics Corporation	
DIMENSIONS: INCHES		CHK J.LIPPERT 03JAN05	Harrisburg, Pa 17105-3608	
TOLERANCES UNLESS OTHERWISE SPECIFIED:		APVD J.LIPPERT 03JAN05	NAME	
0 PLC ± -		PRODUCT SPEC	JACK, RIGHT ANGLE, PCB, 50 OHM, SERIES BNC	
1 PLC ± -		APPLICATION SPEC	SIZE A2	CAGE CODE 00779
2 PLC ± 0.08 [.003]		WEIGHT -	DRAWING NO C=5413631	RESTRICTED TO -
3 PLC ± -		MATERIAL SEE NOTES 1-3	SCALE 4:1	SHEET 1 OF 1
4 PLC ± -		FINISH SEE NOTES 4-6	REV A	
ANGLES ± -		CUSTOMER DRAWING		