

Distributed by:

**JAMECO**<sup>®</sup>  
ELECTRONICS

**www.Jameco.com ♦ 1-800-831-4242**

The content and copyrights of the attached  
material are the property of its owner.

Jameco Part Number 852262

THIS DRAWING IS UNPUBLISHED. RELEASED FOR PUBLICATION .19  
 (C) COPYRIGHT 19 BY AMP INCORPORATED. ALL RIGHTS RESERVED.

LOC	DIST	REVISIONS					
		P	LTR	DESCRIPTION	DATE	DWN	APVD
AA	20		M	ADDED: -8; EC 0515-0026-01	09NOV01	DLD	DMW

D

C

B

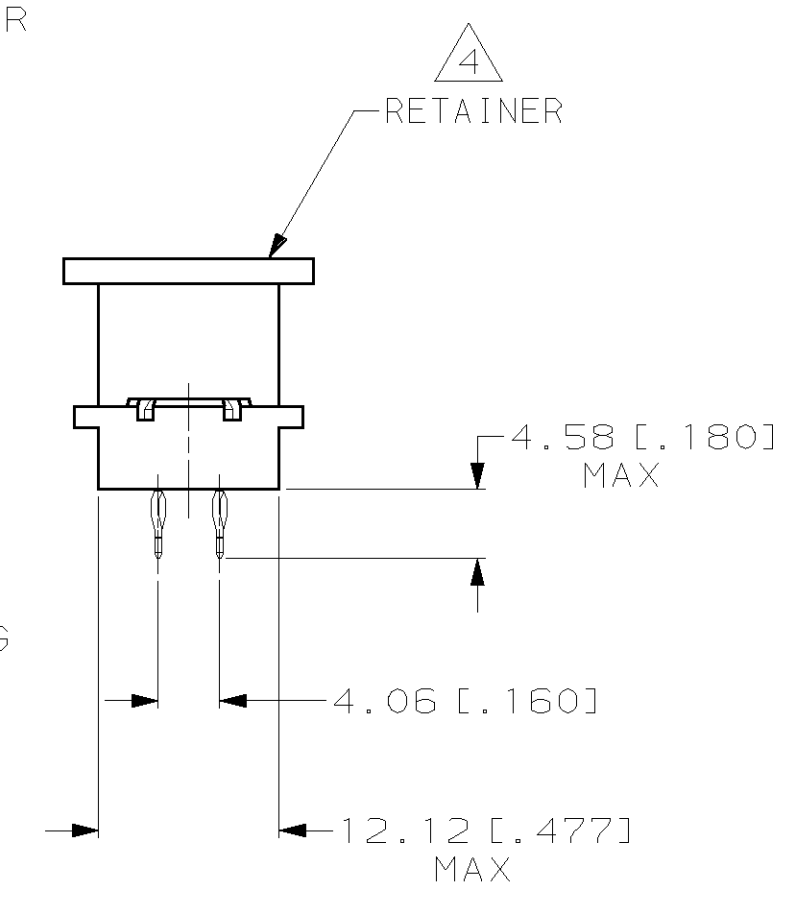
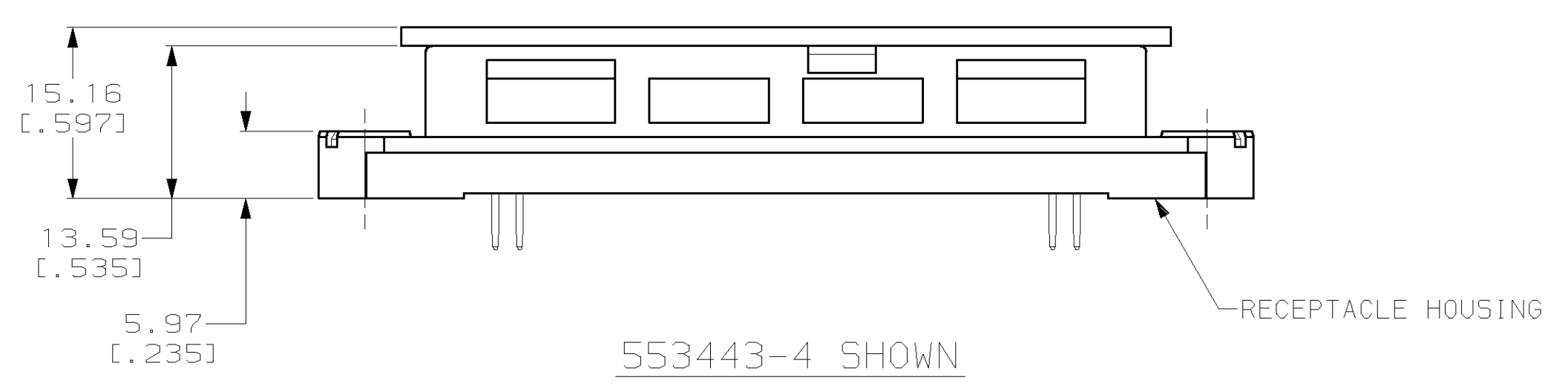
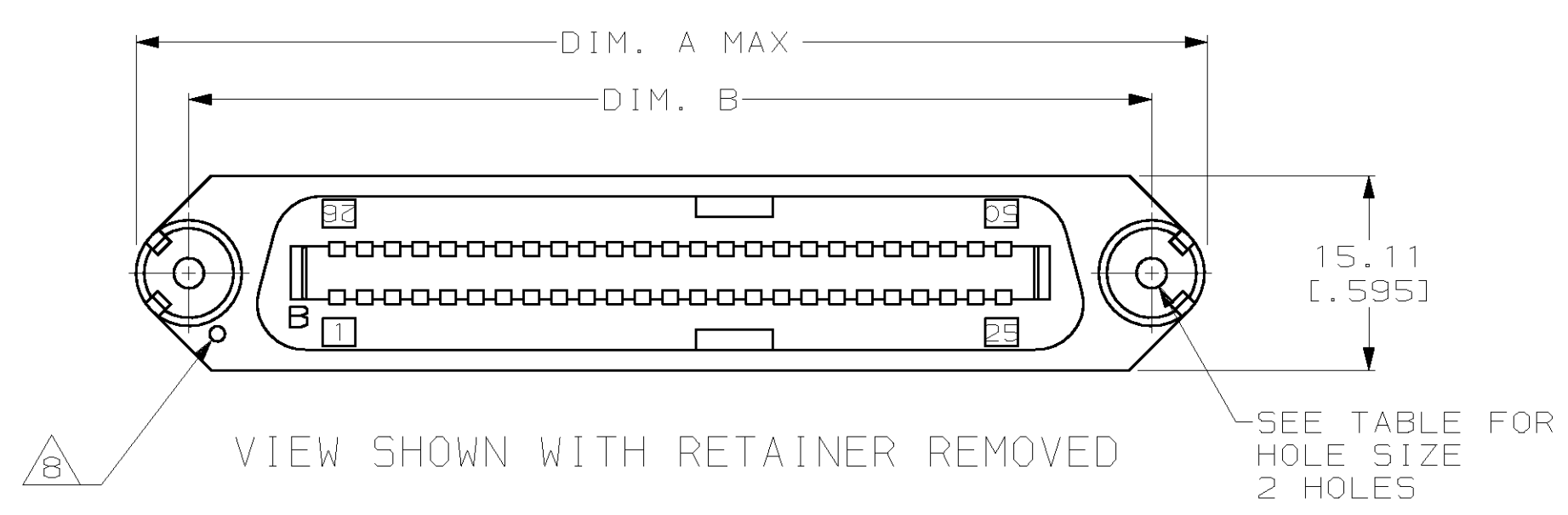
A

D

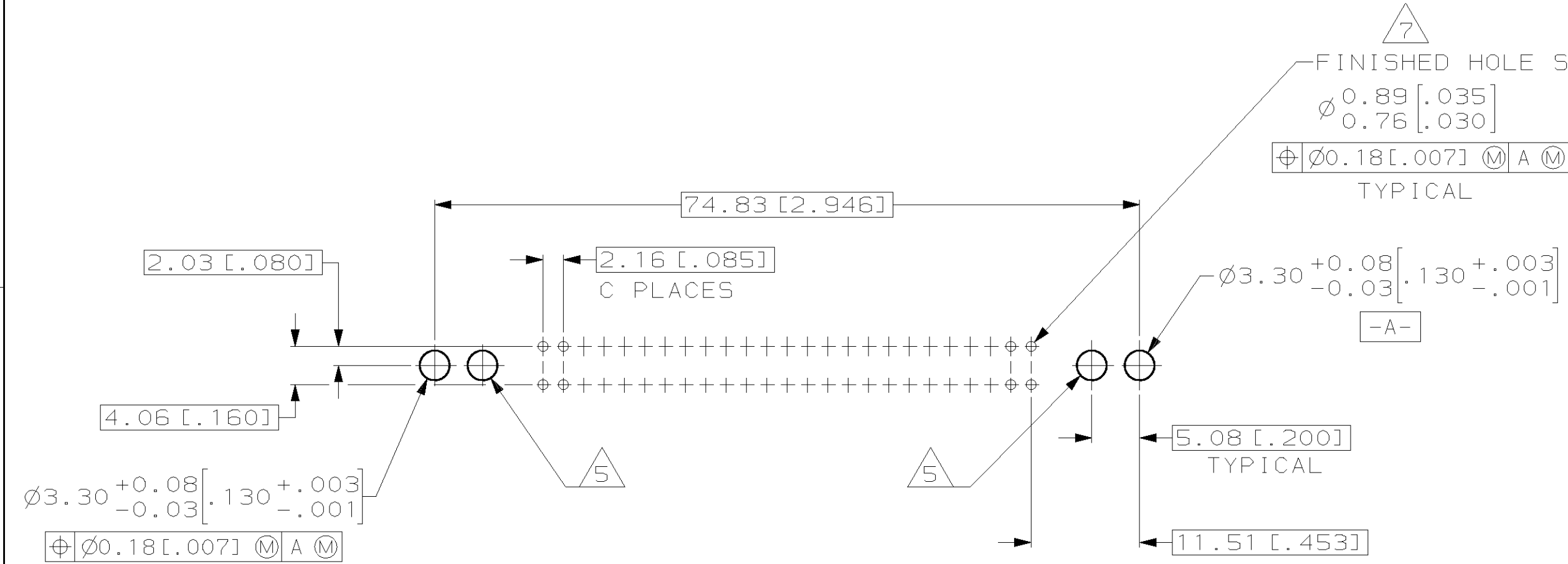
C

B

A



- 1 MATERIAL: HOUSING - POLYESTER MOLDING COMPOUND BLACK.  
 TERMINAL - COPPER ALLOY PLATED WITH 0.76µm [.000030] MINIMUM THICK GOLD ON MATING SURFACE AND 0.13µm [.000005] MINIMUM THICK GOLD ON ACTION PIN AREA OVER 1.27µm [.000050] MINIMUM THICK NICKEL UNDERPLATE OVER ENTIRE TERMINAL.  
 RETAINER - POLYETHYLENE, NATURAL.  
 EXCEPTION: 553443-8 PLATED WITH MATTE TIN-LEAD, 93-7%, 2.54µm-4.57µm [.000100-.000180] THICK ON ACTION PIN AREA.
- 2. THE CONTACT SURFACES OF THE TERMINALS ARE COATED WITH LUBRICANT.
- 3 ALL DIMENSIONS SHOWN ARE FOR REFERENCE ONLY UNLESS OTHERWISE SPECIFIED.
- 4 RETAINER MUST REMAIN INSTALLED UNTIL AFTER CONNECTOR HAS BEEN INSERTED INTO PCB HOLES.
- 5 OPTIONAL MOUNTING HOLE FOR SELF-TAPPING SCREW.
- 6. CENTER-TO-CENTER SPACING OF TERMINALS IS 2.16 [.085] NOMINAL.
- 7 ALL PLATED-THRU HOLES SHALL BE PER AMP SPEC 115-6072.
- 8 THRU HOLE ON HOUSING FLANGE INDICATES POSITION 1 LOCATION.



PRINTED CIRCUIT BOARD  
 MOUNTING DIMENSIONS

C	HOLE SIZE	DIM. B	DIM. A	POSITION	PART NUMBER
31	4-40 UNC-2B	89.97 [3.542]	98.43 [3.875]	64	553443-8
24	.125 DIA	74.83 [2.946]	83.31 [3.280]	50	553443-6
31	4-40 UNC-2B	89.97 [3.542]	98.43 [3.875]	64	553443-5
24	4-40 UNC-2B	74.83 [2.946]	83.31 [3.280]	50	553443-4
17	4-40 UNC-2B	59.74 [2.352]	68.20 [2.685]	36	553443-3
11	4-40 UNC-2B	46.79 [1.842]	55.25 [2.175]	24	553443-2
6	4-40 UNC-2B	35.97 [1.416]	44.45 [1.750]	14	553443-1

THIS DRAWING IS A CONTROLLED DOCUMENT FOR AMP INCORPORATED. IT IS SUBJECT TO CHANGE AND THE CONTROLLING ENGINEERING ORGANIZATION SHOULD BE CONTACTED FOR THE LATEST REVISION.

DIMENSIONS: mm [INCHES]	TOLERANCES UNLESS OTHERWISE SPECIFIED:	DWN DL DRUMMOND 18 JUN 99	AMP Incorporated Harrisburg, PA 17105-3608
	0 PLC ± 1 PLC ± 2 PLC ± 3 PLC ± 4 PLC ± ANGLES ± FINISH	CHK EW BEILES 21 JUN 99	NAME
MATERIAL		APVD EW BEILES 21 JUN 99	PRODUCT SPEC
			APPLICATION SPEC
			WEIGHT
			CUSTOMER DRAWING

SIZE A2	CAGE CODE 00779	DRAWING NO C-553443	RESTRICTED TO
SCALE 2:1	SHEET 1 OF 1	REV M	

553443