

Distributed by:

JAMECO[®]
ELECTRONICS

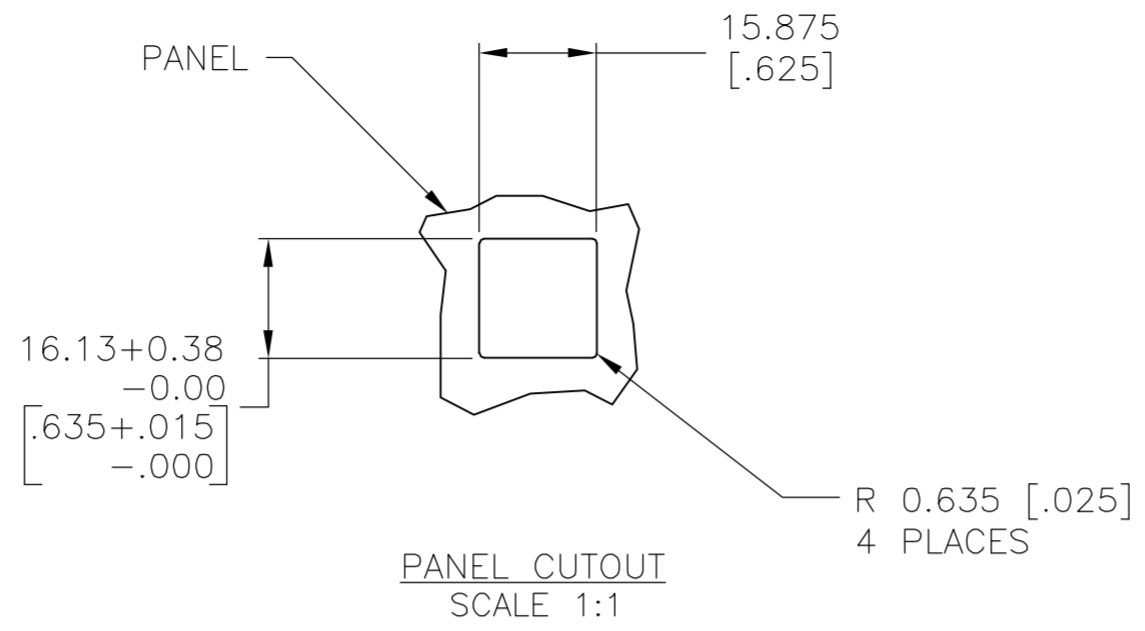
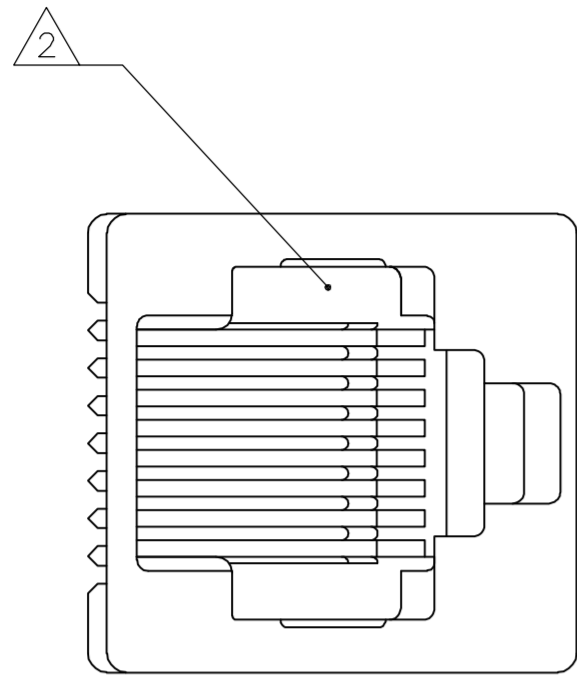
www.Jameco.com ♦ 1-800-831-4242

The content and copyrights of the attached
material are the property of its owner.

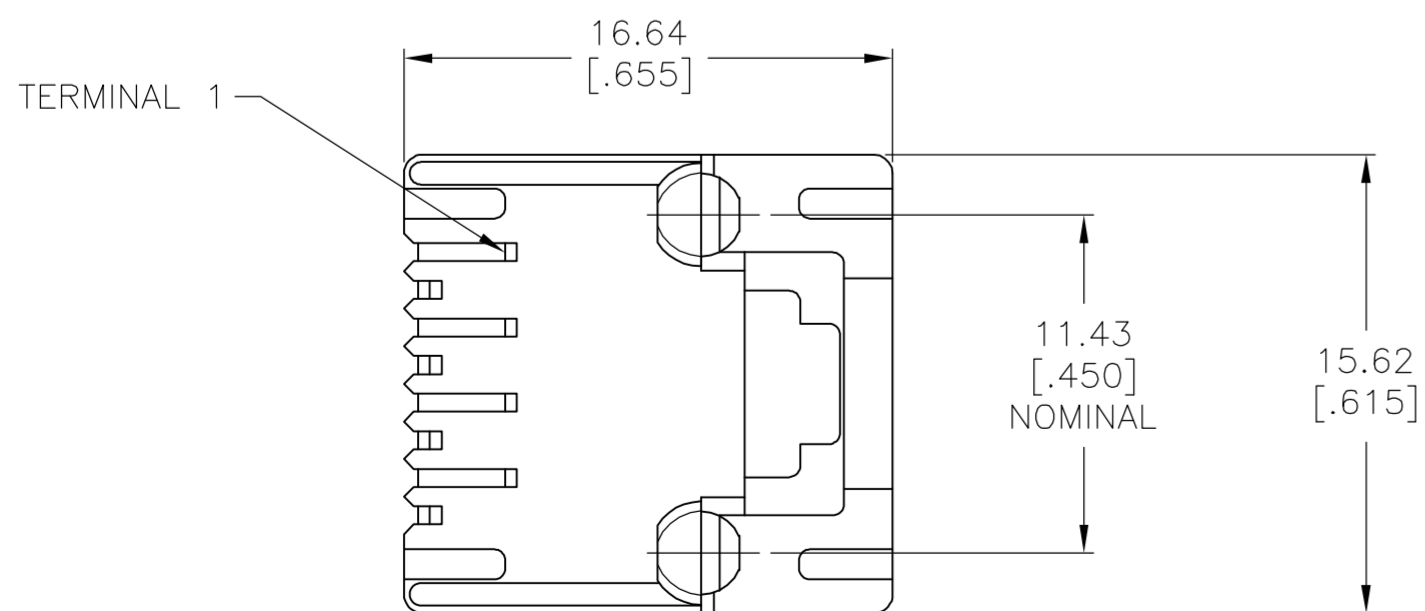
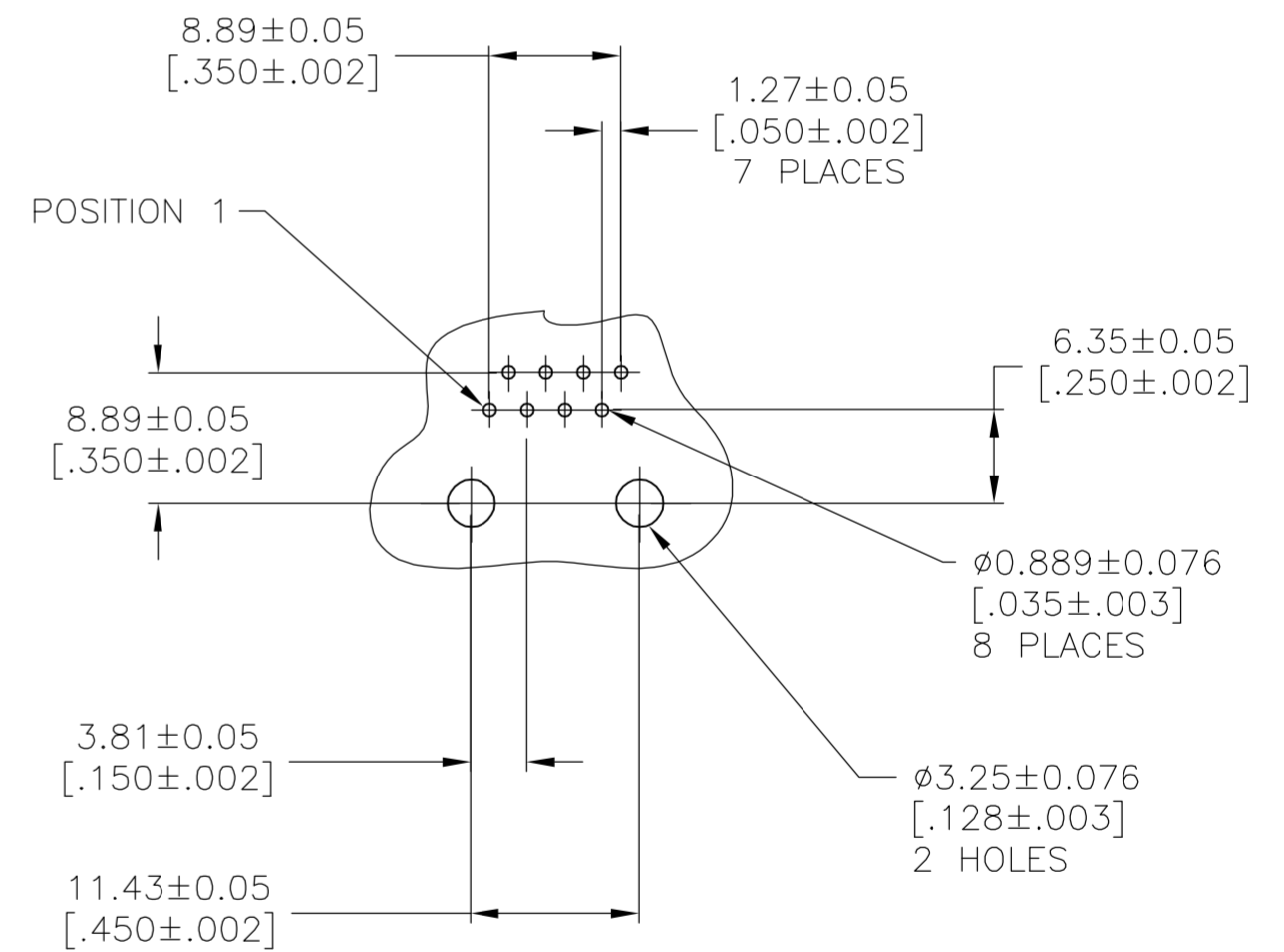
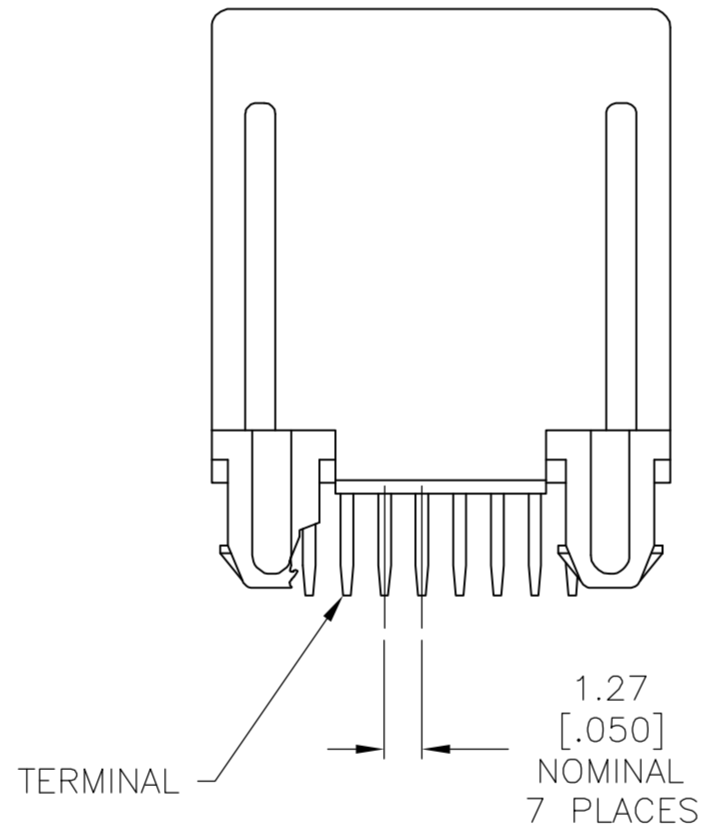
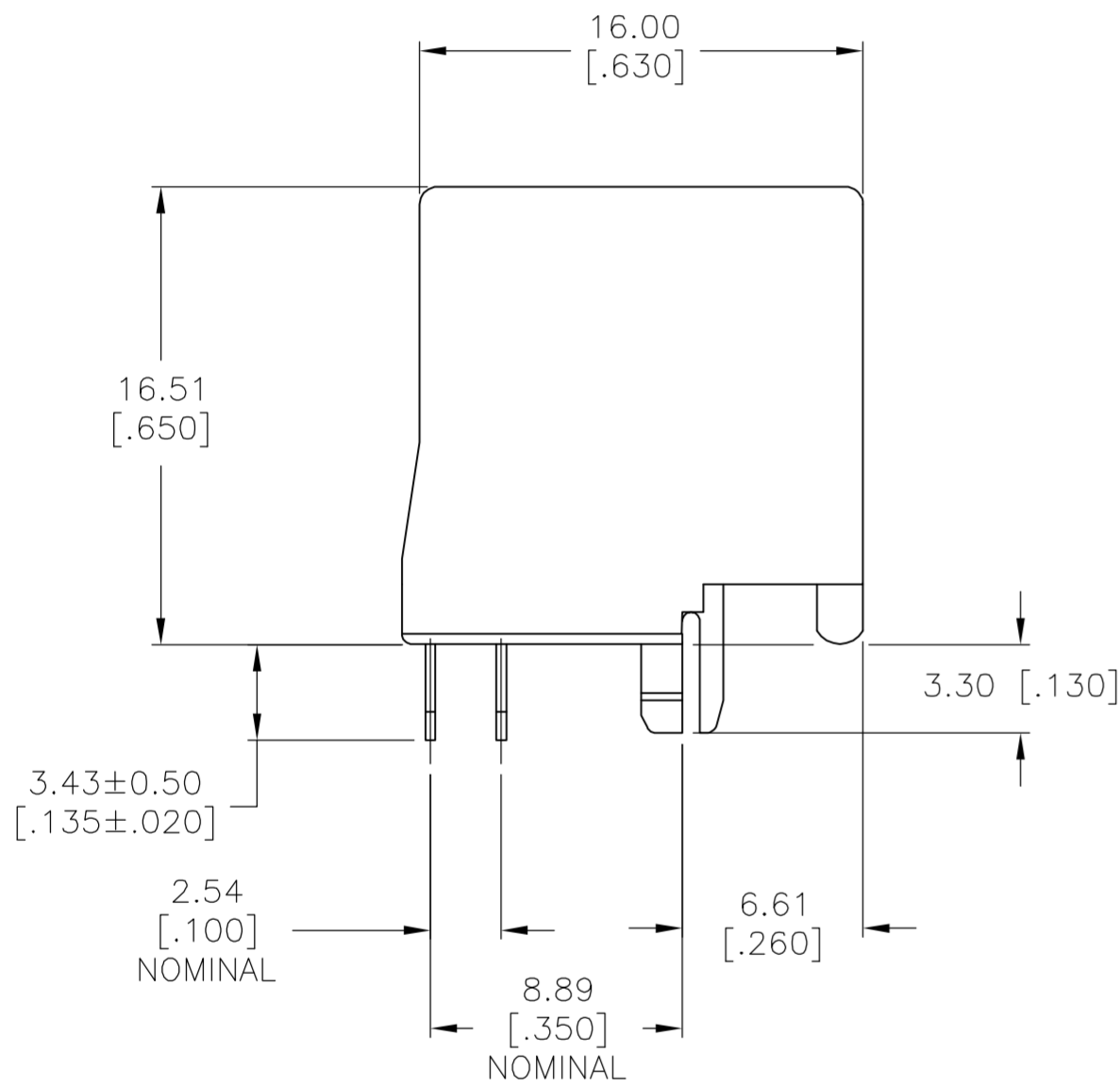
Jameco Part Number 852772

THIS DRAWING IS UNPUBLISHED. RELEASED FOR PUBLICATION
 © COPYRIGHT BY TYCO ELECTRONICS CORPORATION. ALL RIGHTS RESERVED.

LOC	DIST	REVISIONS			
P	LTR	DESCRIPTION	DATE	DWN	APVD
AA	00	B	ECO-06-010340	06MAY2006	LAM JW



- MATERIAL: HOUSING- PBT POLYESTER, BLACK.
 TERMINAL- 0.36[.014] THICK PHOS BRONZE PLATED WITH 1.27µm[.000050] MINIMUM THICK HARD GOLD LOCALIZED GOLD PLATE AREA AND 3.81µm[.000150] MINIMUM THICK MATTE TIN IN SOLDER AREA OVER 1.27µm[.000050] MINIMUM THICK NICKEL UNDERPLATE.
- CAVITY CONFORMS TO FCC RULES AND REGULATIONS PART 68 AND REA BULLETIN 345-81,PE-76 SPECIFICATION FOR MODULAR TELEPHONE HARDWARE.
- ALL DIMENSIONS SHOWN ARE MAXIMUM UNLESS OTHERWISE SPECIFIED.
- BULK PACKAGED IN A TRAY.
- PACKAGED 30 PER TUBE.



PRINTED CIRCUIT BOARD LAYOUT
 COMPONENT SIDE
 SCALE 2:1

5	5556416-2
4	5556416-1
PACKAGED	PART NO

THIS DRAWING IS A CONTROLLED DOCUMENT.		DWN B. LATTUCA 12SEPT05	tyco Electronics		Tyco Electronics Corporation Harrisburg, PA 17105-3608	
DIMENSIONS: mm [INCHES]		CHK J. WESTMAN 12SEPT05	NAME S. FLICKINGER		MODULAR JACK ASSEMBLY, TOP ENTRY, 8 POSITION, FLANGELESS, W/O PANEL STOPS	
TOLERANCES UNLESS OTHERWISE SPECIFIED:		APVD S. FLICKINGER 12SEPT05	PRODUCT SPEC 108-1163		RESTRICTED TO	
0 PLC ± -		APPLICATION SPEC 114-2048		SIZE A2	CAGE CODE 00779	DRAWING NO C=5556416
1 PLC ± -		MATERIAL SEE NOTE 1		SCALE 4:1	SHEET 1 of 1	REV B
2 PLC ± -		FINISH SEE NOTE 1		CUSTOMER DRAWING		
3 PLC ± -		WEIGHT -				
4 PLC ± -		CUSTOMER DRAWING				
ANGLES ± -						