

Distributed by:

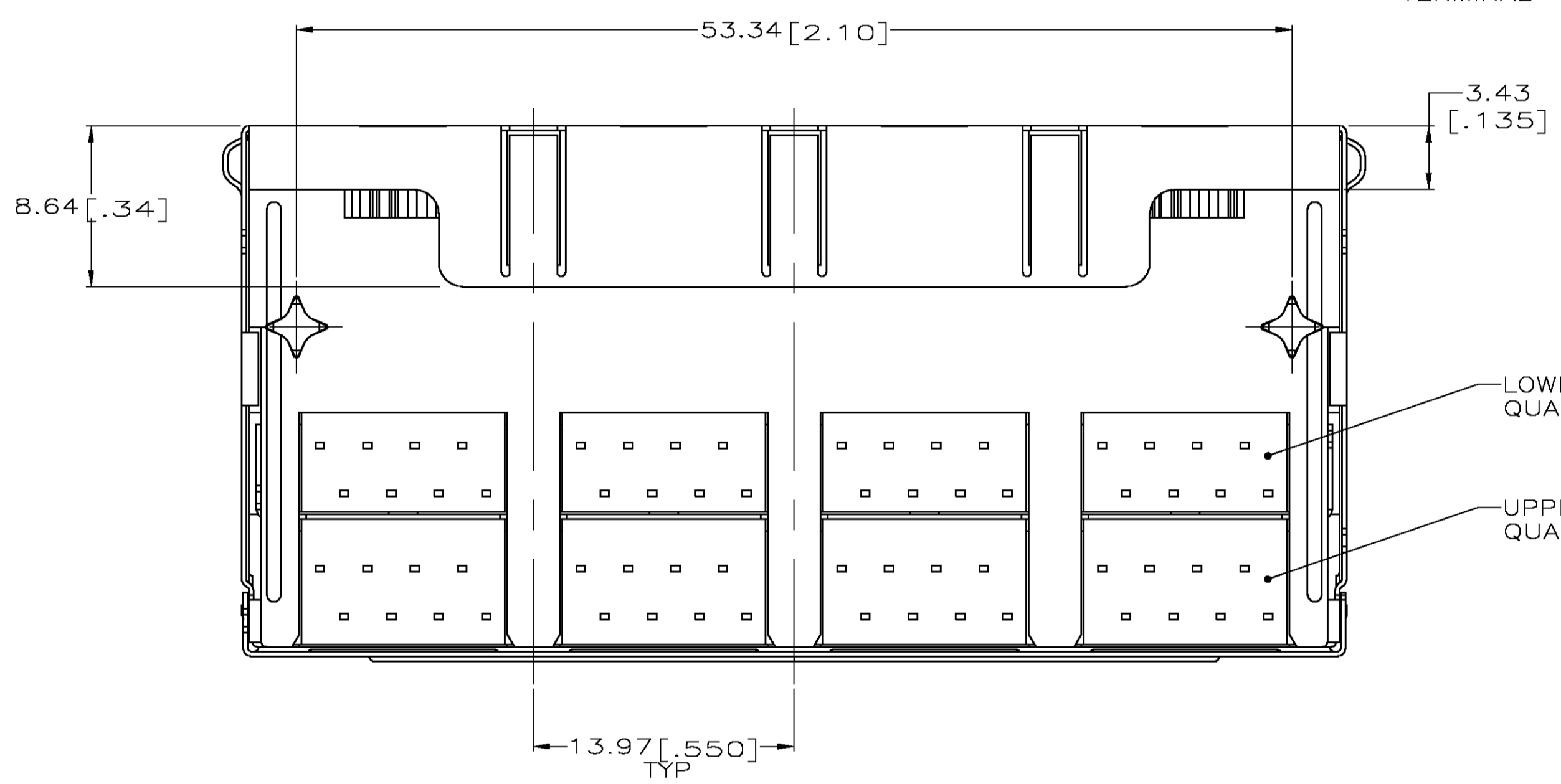
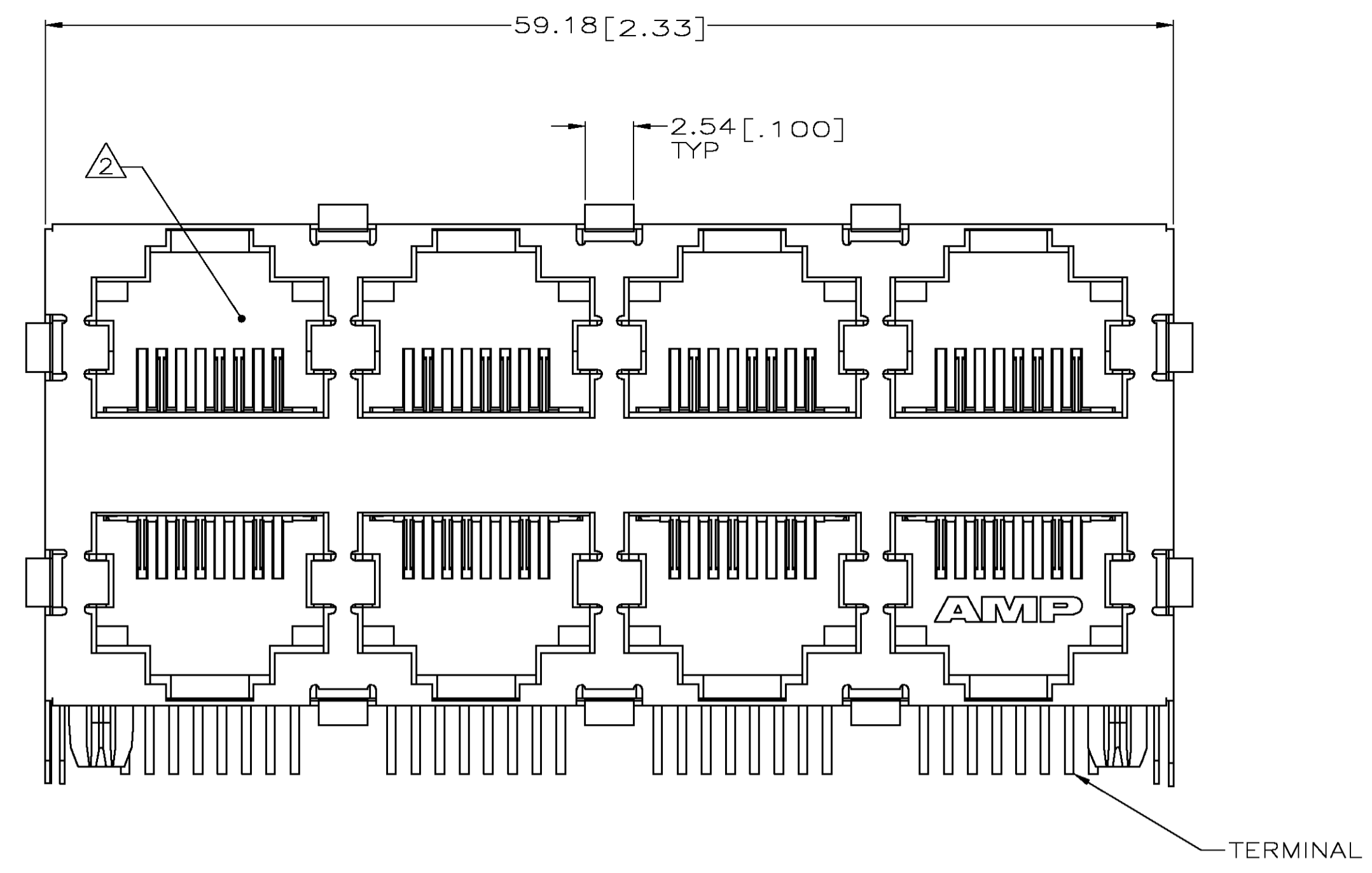
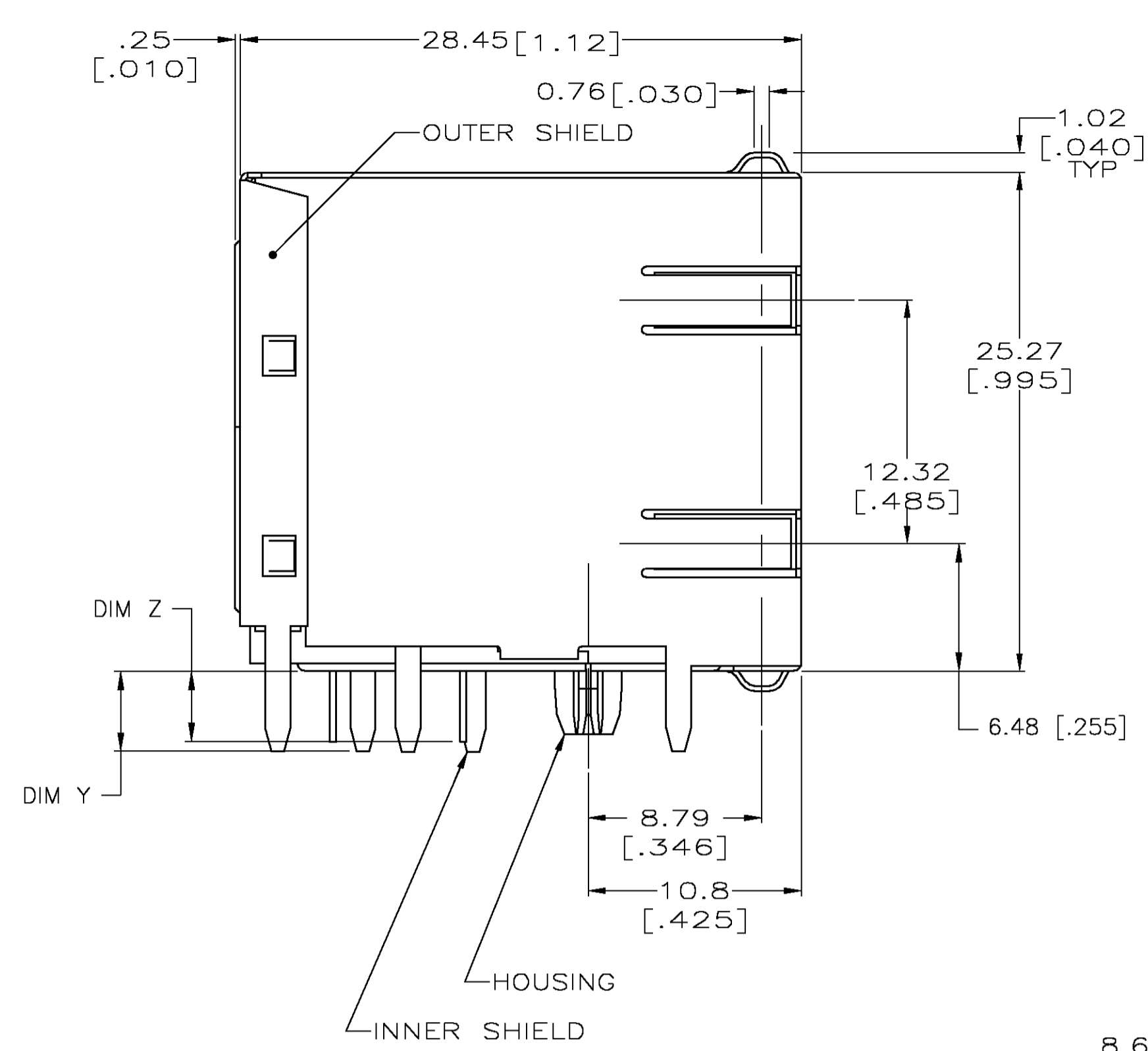
**JAMECO**<sup>®</sup>  
ELECTRONICS

**www.Jameco.com ♦ 1-800-831-4242**

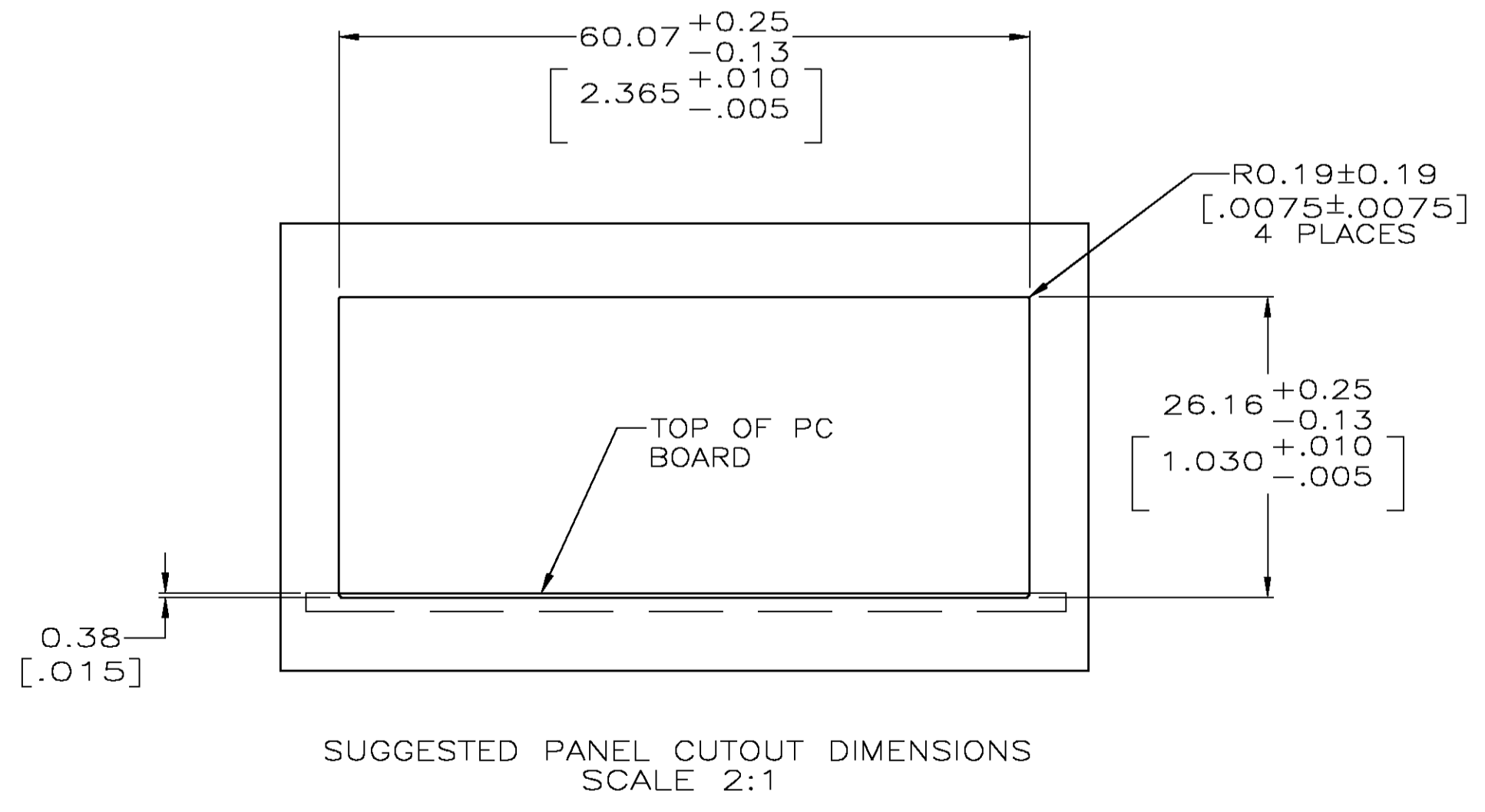
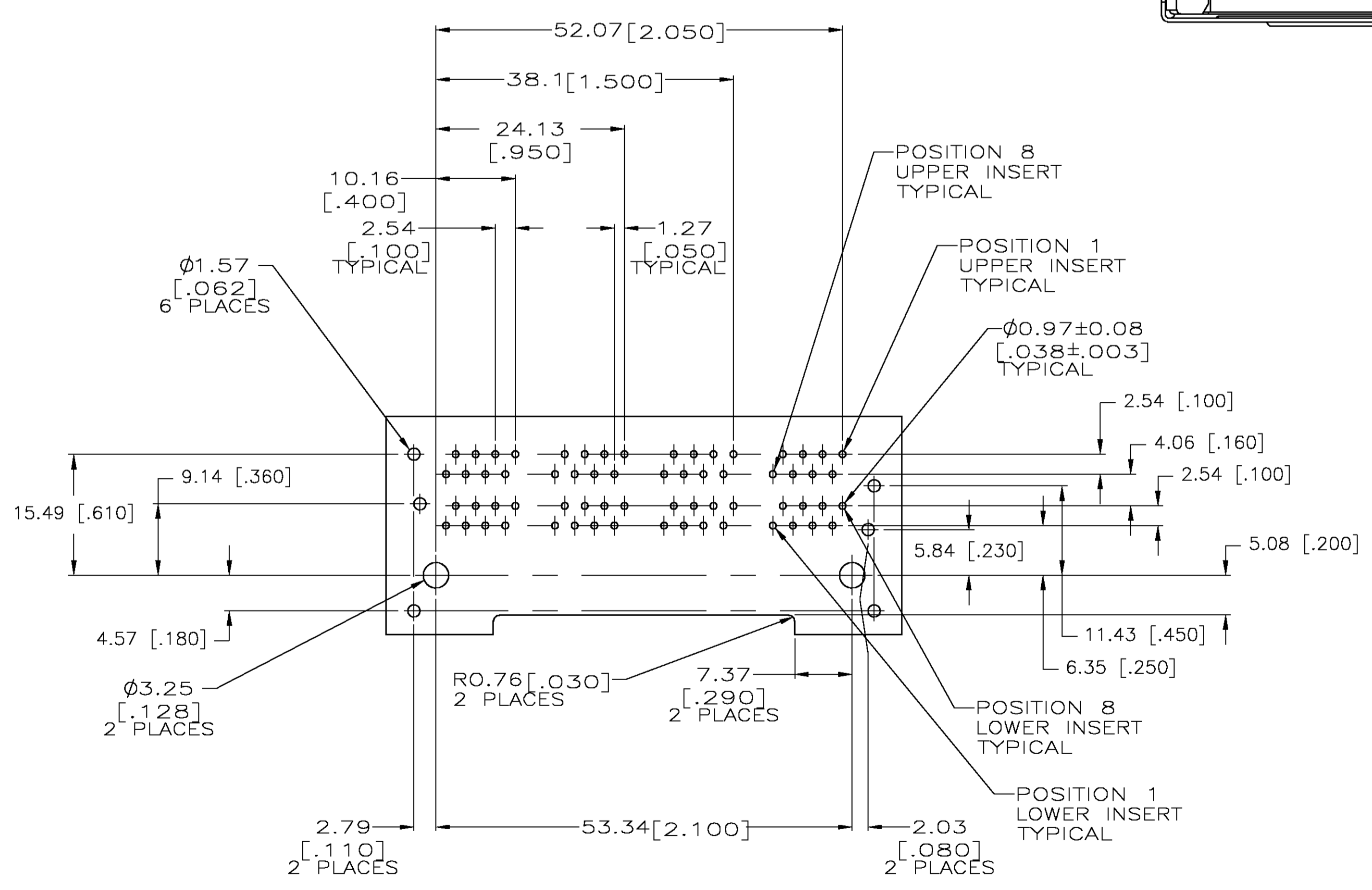
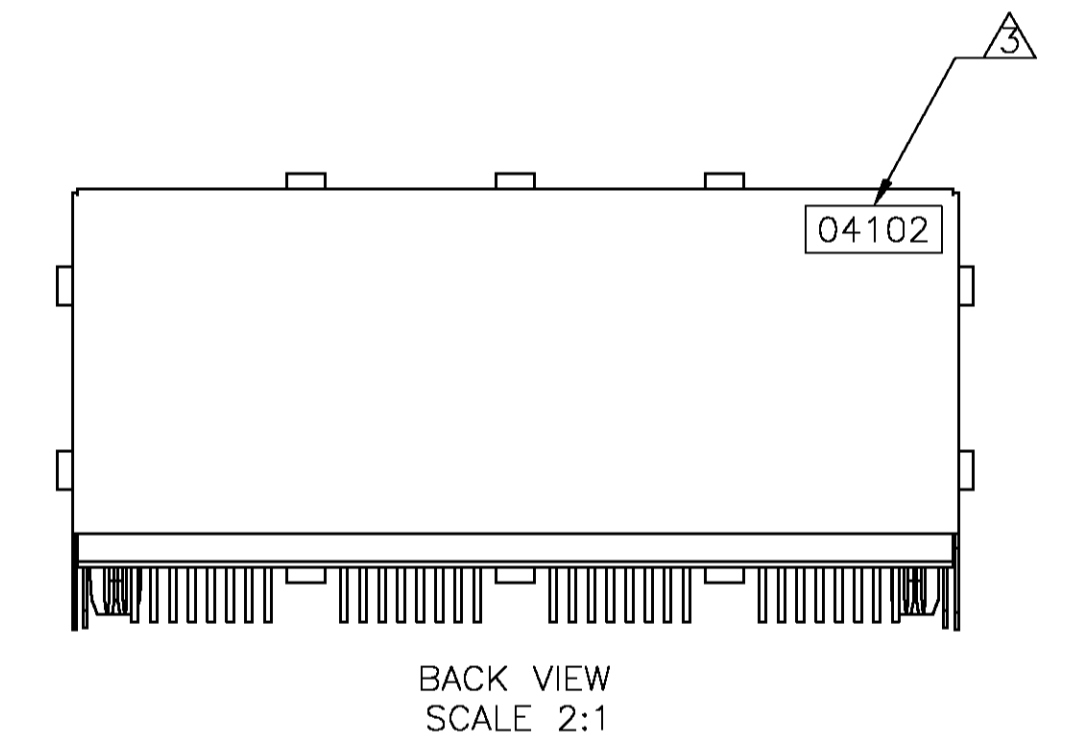
The content and copyrights of the attached  
material are the property of its owner.

Jameco Part Number 852908

LOC	DIST	REVISIONS			
P	LTR	DESCRIPTION	DATE	OWN	APVD
AA	22	A	ECOS11-0201-04	28DEC2004	LAM JW



- MATERIAL:  
 HOUSING - PCT POLYESTER, BLACK, UL94V-0.  
 OVERMOLDED TERMINAL ARRAY - PBT, BROWN.  
 TERMINALS - 0.33 [.013] THICK PHOS BRONZE PLATED WITH 1.27µm [.000050] MIN THICK HARD GOLD IN LOCALIZED AREA AND 3.81µm [.000150] MIN THICK MATTE TIN IN SOLDER AREA OVER 1.27µm [.000050] MIN THICK NICKEL UNDERPLATE.  
 SHIELD - 0.25 [.010] THICK COPPER ALLOY PLATED WITH 2.03µm [.000080] MIN MATTE TIN OVER 1.27µm [.000050] MIN NICKEL.
- JACK CAVITY CONFORMS TO FCC RULES AND REGULATIONS, PART 68 SUBPART F.
- DATE CODE LOCATED ON REAR OF PART APPROXIMATELY AS SHOWN:  
 FIRST 2 DIGITS ARE LAST 2 DIGITS OF YEAR, SECOND 2 DIGITS ARE MANUFACTURING WORK WEEK, LAST DIGIT IS DAY OF WEEK, WITH SUNDAY = 1.



PC BOARD LAYOUT VIEWED FROM COMPONENT SIDE SCALE 2:1

SUGGESTED PANEL CUTOUT DIMENSIONS SCALE 2:1

THIS DRAWING IS A CONTROLLED DOCUMENT.		DNW	17APR2005	Tyco Electronics Corporation
DIMENSIONS:		CHK	17APR2005	Harrisburg, Pa 17105-3608
TOLERANCES UNLESS OTHERWISE SPECIFIED:		APVD	17APR2005	
mm [INCHES]		NAME		
0 PLC	± -	S. FLICKINGER		
1 PLC	± -	PRODUCT SPEC		
2 PLC	± 0.25 [01]	108-1163-2		
3 PLC	± 0.13 [005]	APPLICATION SPEC		
4 PLC	± -	114-2048		
ANGLES	± -	SIZE		
MATERIAL	SEE NOTE 1	FINISH	SEE NOTE 1	WEIGHT
CUSTOMER DRAWING		SCALE	4:1	SHEET 1 OF 1

3.05 [.120]	4.06 [.160]	1-5569262-1
3.56 [.140]	4.06 [.160]	5569262-1
DIM. Z		PART NUMBER
DIM. Y		