

Distributed by:

JAMECO[®]
ELECTRONICS

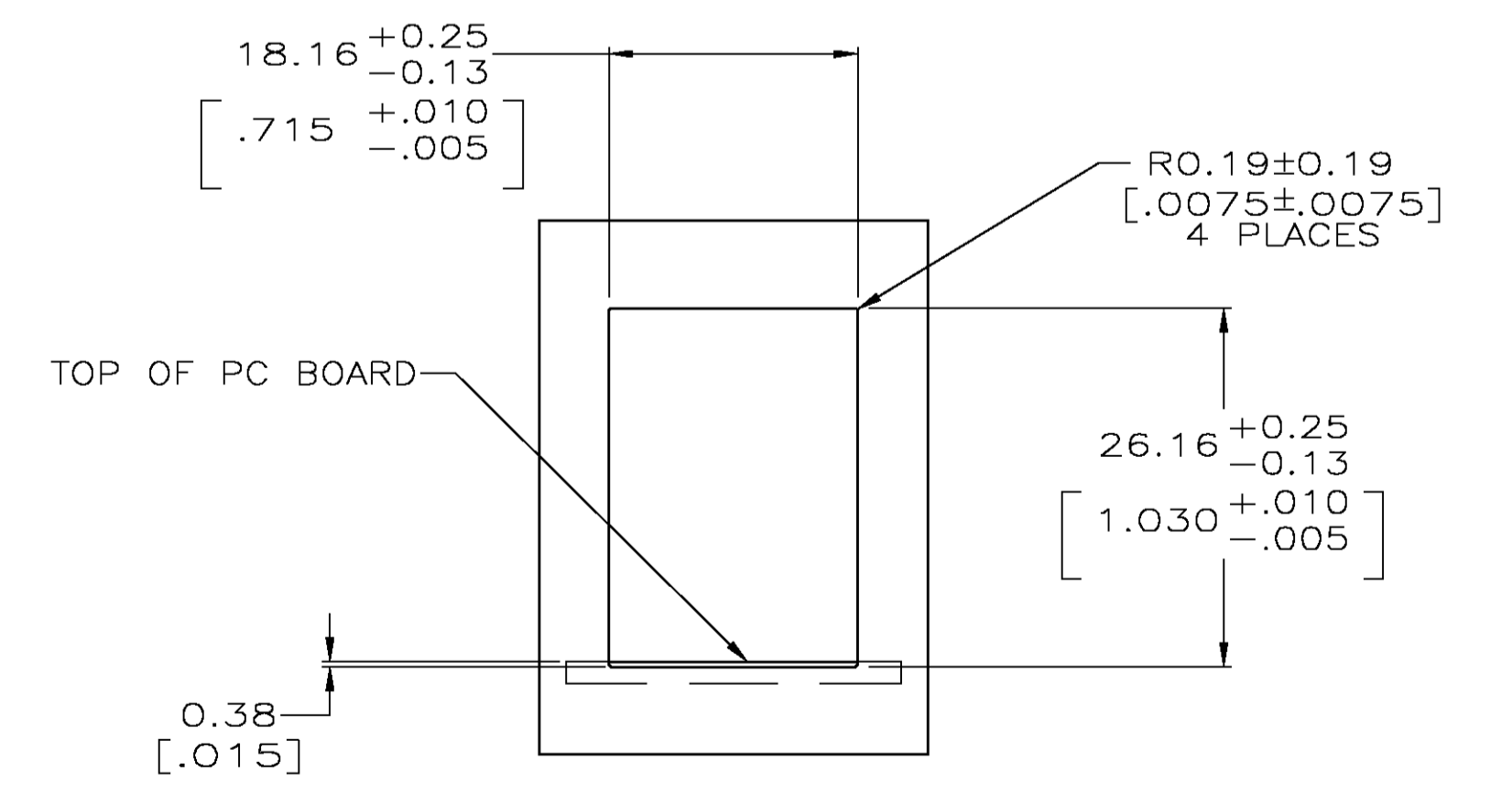
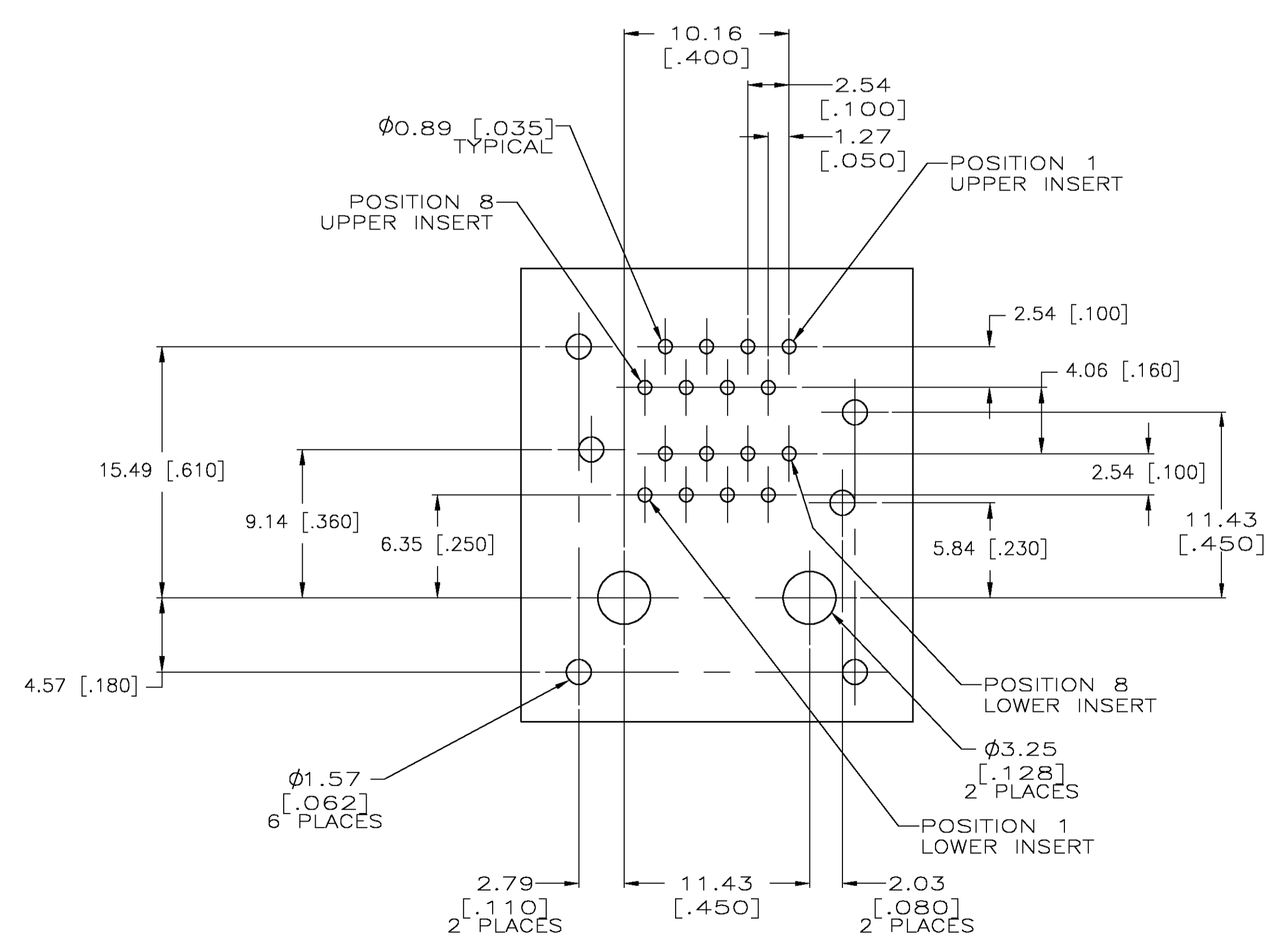
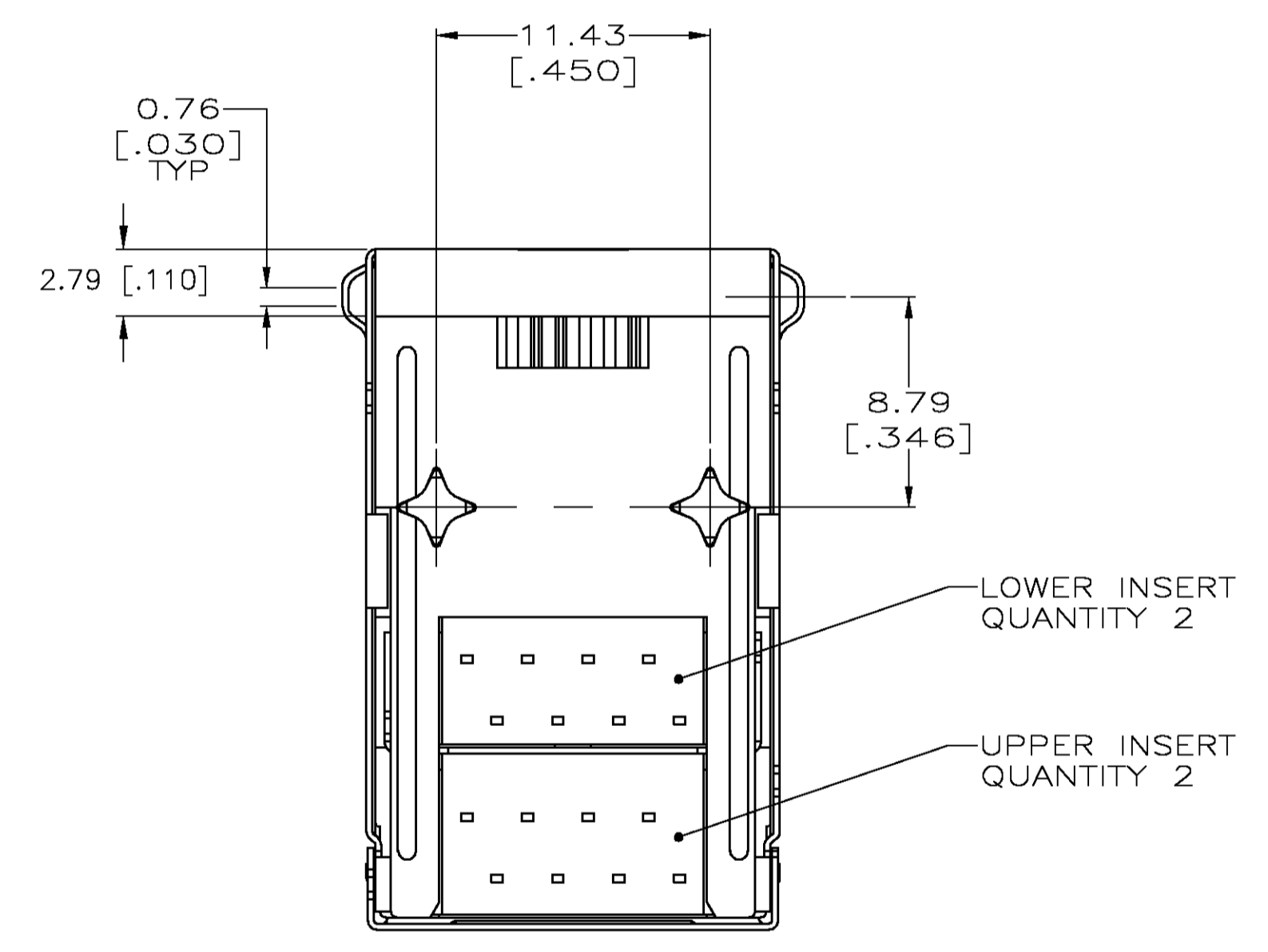
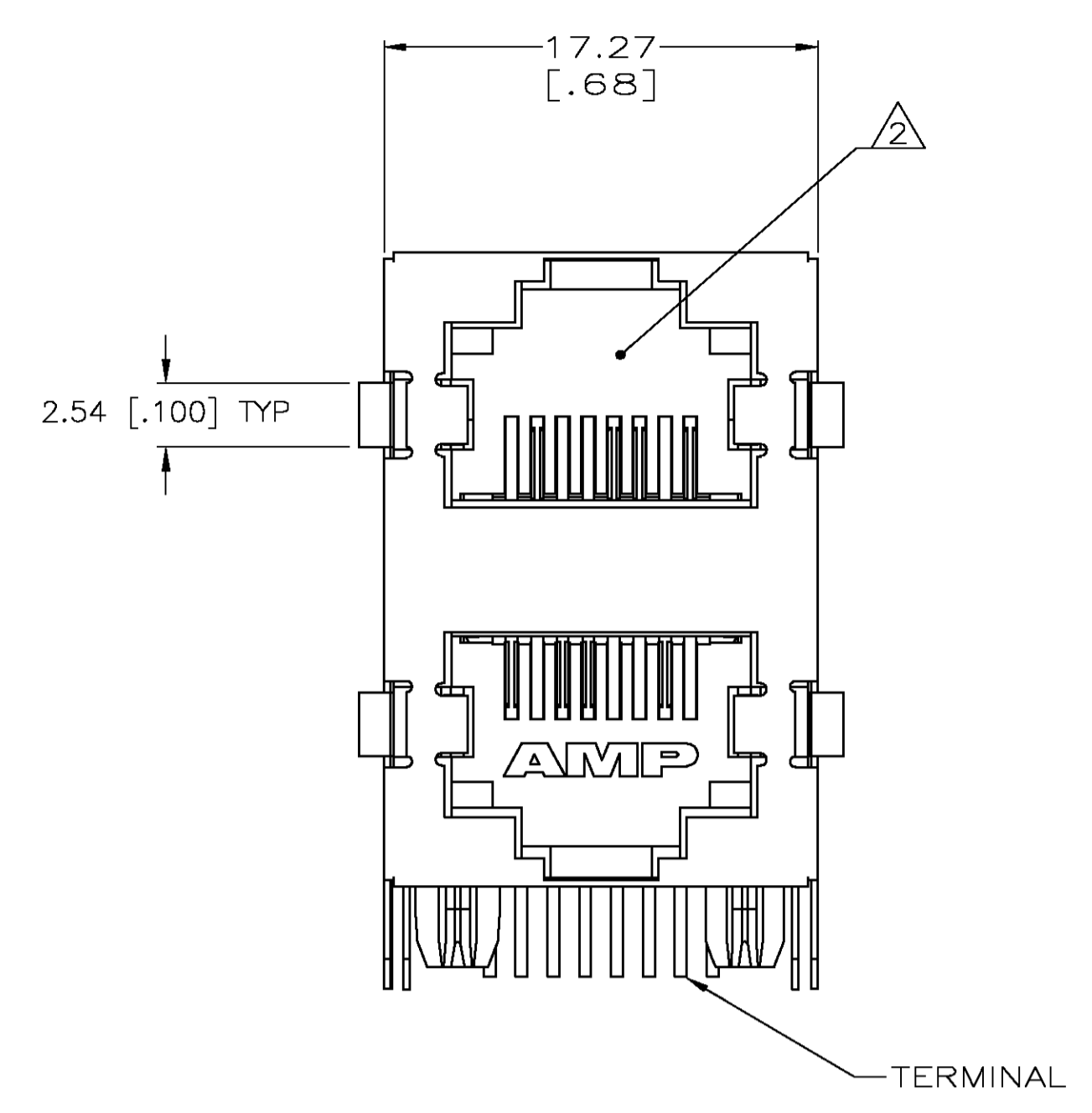
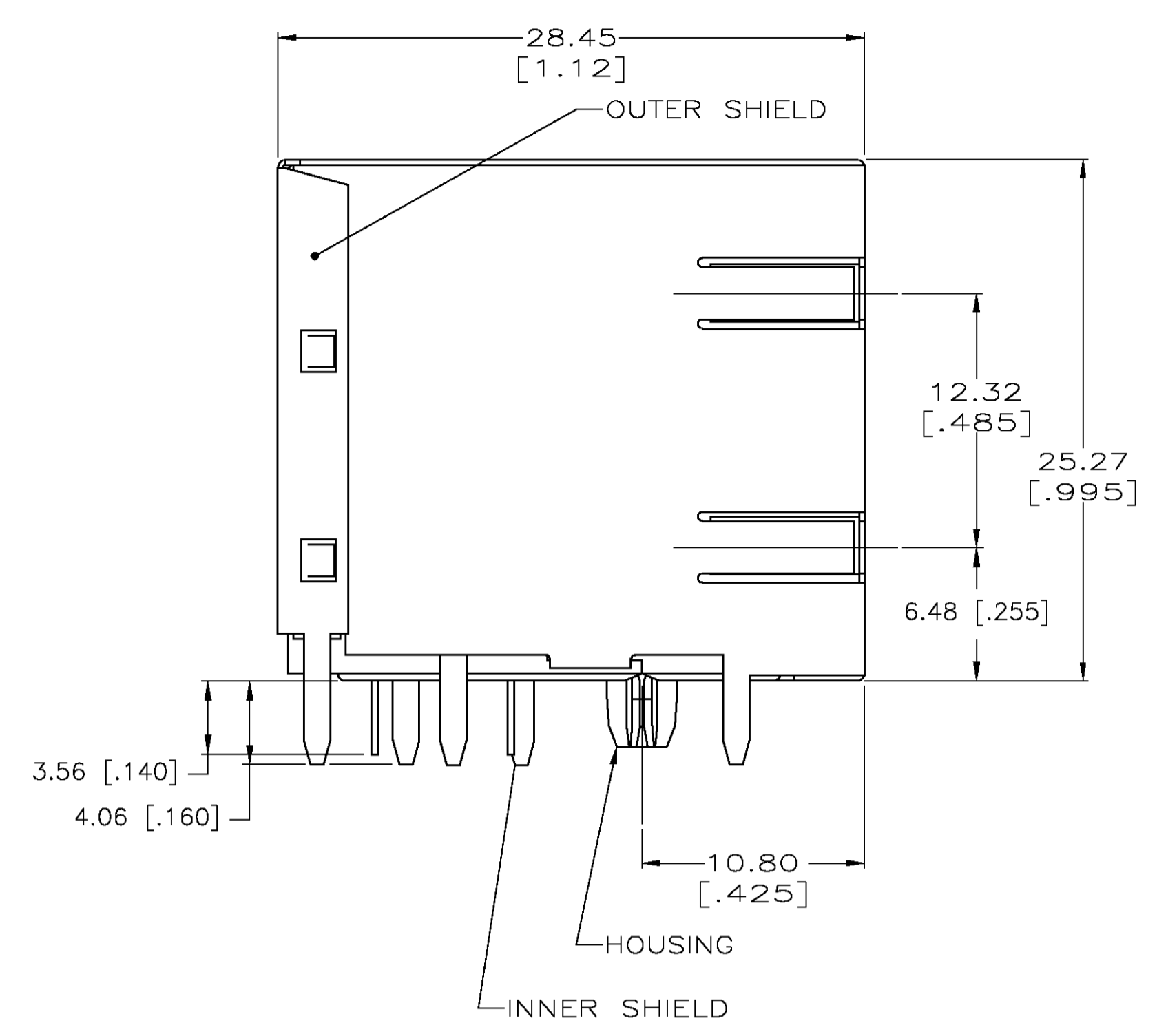
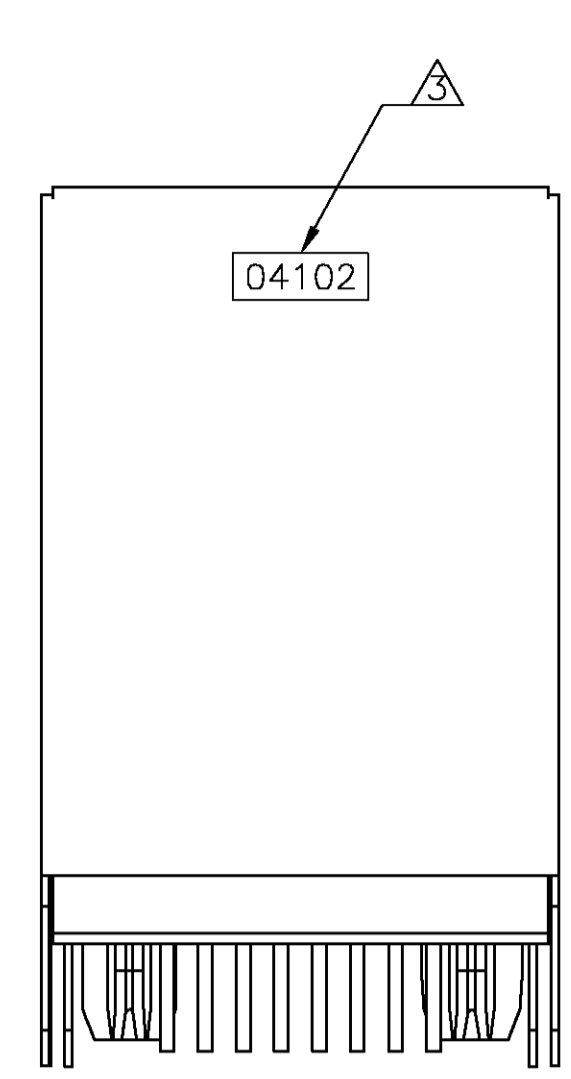
www.Jameco.com ♦ 1-800-831-4242

The content and copyrights of the attached
material are the property of its owner.

Jameco Part Number 852924

LOC	DIST	REVISIONS			
P	LTR	DESCRIPTION	DATE	DWN	APVD
AA	22	A	ECOS11-0201-04	21MAY2005	LAM SF

- △ MATERIAL:
HOUSING - PCT POLYESTER, BLACK, UL94V-0.
OVERMOLDED TERMINAL ARRAY - PBT, BROWN.
TERMINALS - 0.33 [.013] THICK PHOS BRONZE PLATED WITH 1.27µm [.000050] MIN THICK HARD GOLD IN LOCALIZED AREA AND 3.81µm [.000150] MIN THICK MATTE TIN IN SOLDER AREA OVER 1.27µm [.000050] MIN THICK NICKEL UNDERPLATE.
SHIELD - 0.25 [.010] THICK COPPER ALLOY PLATED WITH 2.03µm [.000080] MIN MATTE TIN OVER 1.27µm [.000050] MIN NICKEL.
- △ JACK CAVITY CONFORMS TO FCC RULES AND REGULATIONS, PART 68 SUBPART F.
- △ DATE CODE LOCATED ON REAR OF PART APPROXIMATELY AS SHOWN:
FIRST 2 DIGITS ARE LAST 2 DIGITS OF YEAR,
SECOND 2 DIGITS ARE MANUFACTURING WORK WEEK,
LAST DIGIT IS DAY OF WEEK, WITH SUNDAY = 1.



PC BOARD LAYOUT VIEWED FROM COMPONENT SIDE

SUGGESTED PANEL CUTOUT DIMENSIONS SCALE 2:1

5569381-1
PART NUMBER

THIS DRAWING IS A CONTROLLED DOCUMENT.		DNW T. SPRINKLE / A. MAYER 21MAY2005	21MAY2005		Tyco Electronics Corporation Harrisburg, Pa 17105-3608
DIMENSIONS: mm [INCHES]		CHK J. WESTMAN 21MAY2005	APVD S. FLICKINGER 21MAY2005	NAME 108-1163-2	STACKED MODULAR JACK ASSEMBLY, 2x1 PORT, 8 POSITION, SHIELDED, PANEL GROUND, CATEGORY 5
TOLERANCES UNLESS OTHERWISE SPECIFIED: 0 PLC ± - 1 PLC ± - 2 PLC ± 0.25[.01] 3 PLC ± 0.13[.005] 4 PLC ± - ANGLES ± -		PRODUCT SPEC 114-2048	APPLICATION SPEC 114-2048	SIZE A1	CAGE CODE 00779
MATERIAL SEE NOTE 1	FINISH SEE NOTE 1	WEIGHT	RESTRICTED TO	CUSTOMER DRAWING	SCALE 4:1 SHEET 1 OF 1 REV A