

Distributed by:

JAMECO[®]
ELECTRONICS

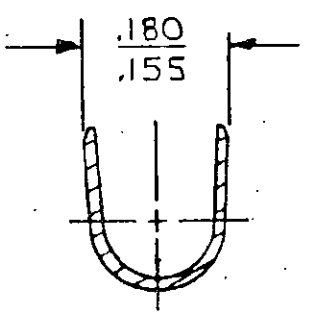
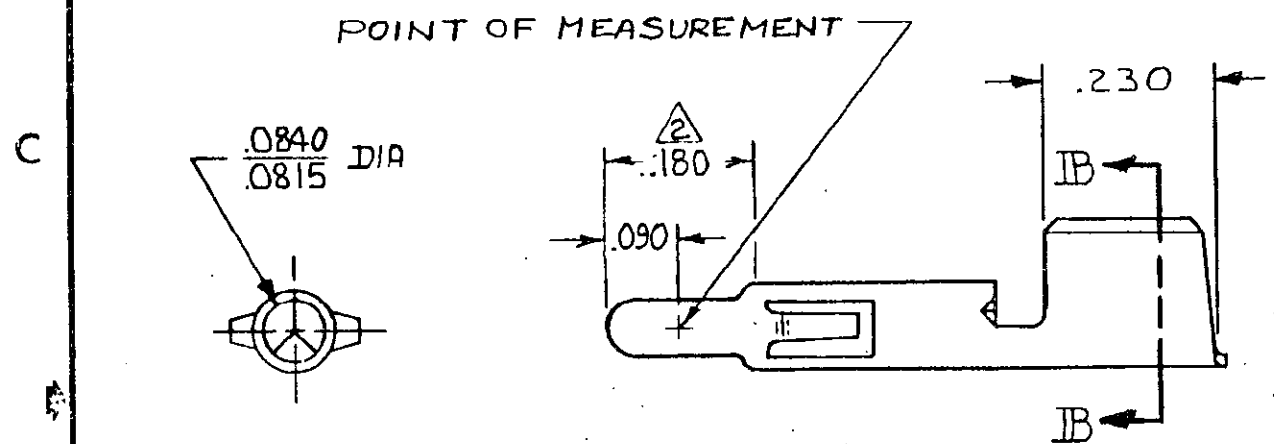
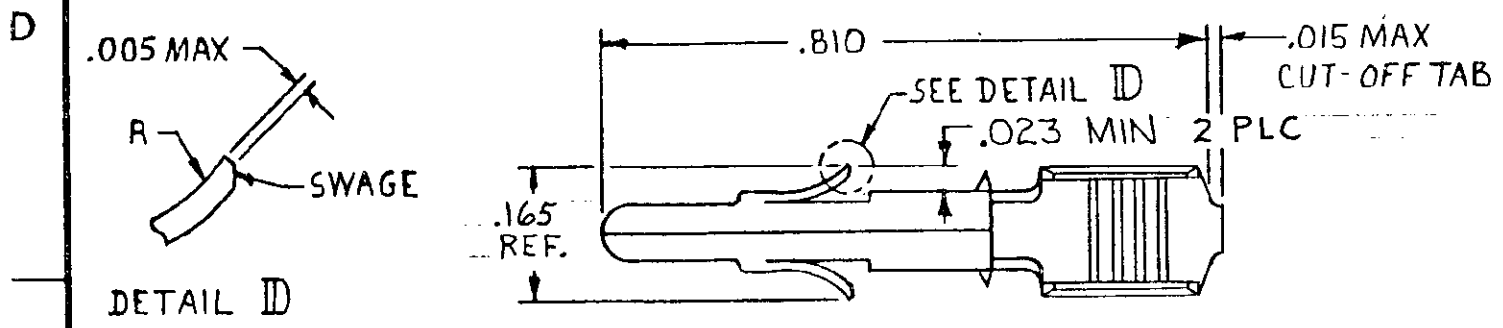
www.Jameco.com ♦ 1-800-831-4242

The content and copyrights of the attached
material are the property of its owner.

Jameco Part Number 854031

© COPYRIGHT 1977 BY AMP INCORPORATED, HARRISBURG, PA.
 ALL INTERNATIONAL RIGHTS RESERVED. AMP INCORPORATED PRODUCTS
 COVERED BY U. S. AND FOREIGN PATENTS AND/OR PATENTS PENDING.

REVISIONS						
P	F	ZONE	LTR	DESCRIPTION	DATE	APPROVED
✓			B	REDRAWN & UPDATED M-6457	6-5-81	MSF/D.H.
✓	✓		C	ADDED - 6 PER M-6627	10-2-81	MSF/D.H.
✓			D	REVISED M-7350	7/25/83	DAS/D.H.
✓			E	REVISED AG 57	1/9/21/83	SP/Kestis/3.James
✓			E ₁	RESTORATION	5-23-85	KS/SJ
✓	✓		F	REVISED PER CM-1728	9-6-88	PH/TB
✓	✓		G	REVISED PER CM-3286	2-7-91	PKC/RS
✓	✓		H	REV PER EC 0730-3607-91	1-7-94	RV/RS
✓	✓		J	REV PER EC 0730-0156-94	8-24-94	RV/RS



- ① LIMITED BY THE CONNECTOR HOUSING CAVITY.
- ② PLATED WITH .000030 GOLD, OVER .000050 NICKEL UNDERPLATE.

FINISH	MATERIAL	PART NO
SELECT GOLD	.012 PH. BRZ	640309-6
PRE-TIN	.012 PH. BRZ.	640309-3

UNLESS OTHERWISE SPECIFIED DIMENSIONS ARE IN INCHES. TOLERANCES ON: DECIMALS ± .015 ANGLES ±	CONTRACT NO	AMP AMP INCORPORATED Harrisburg, Pa.		
	DR			NAME PIN, (LOOSE PIECE) UNIVERSAL MATE-N-LOK
	CHK	SIZE B	CODE IDENT NO 00779	DRAWING NO 640309
	WIRE RANGE 12-10 AWG	APPD	SCALE 4-1	SHEET
INSULATION RANGE .200 DIA MAX	DSGN APPD			
	OTHER APPD			