

Distributed by:

JAMECO[®]
ELECTRONICS

www.Jameco.com ♦ 1-800-831-4242

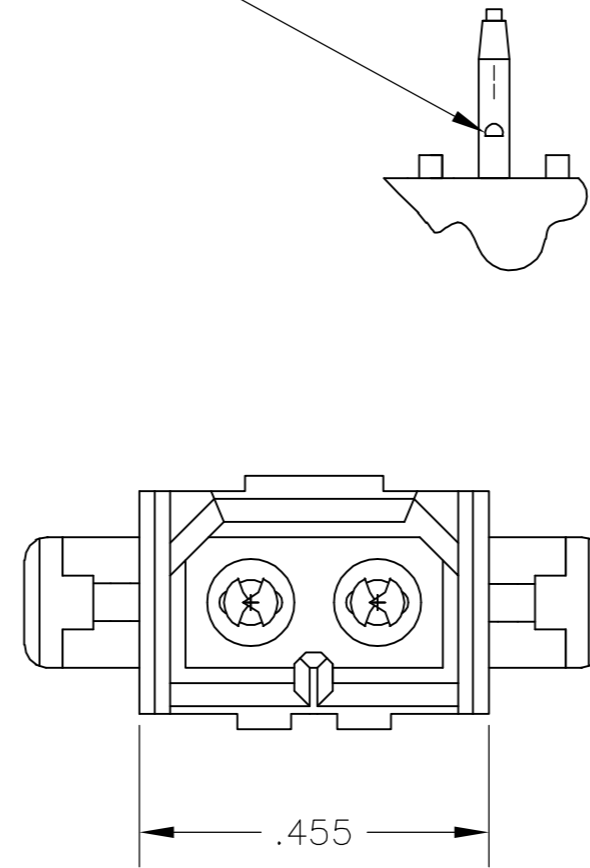
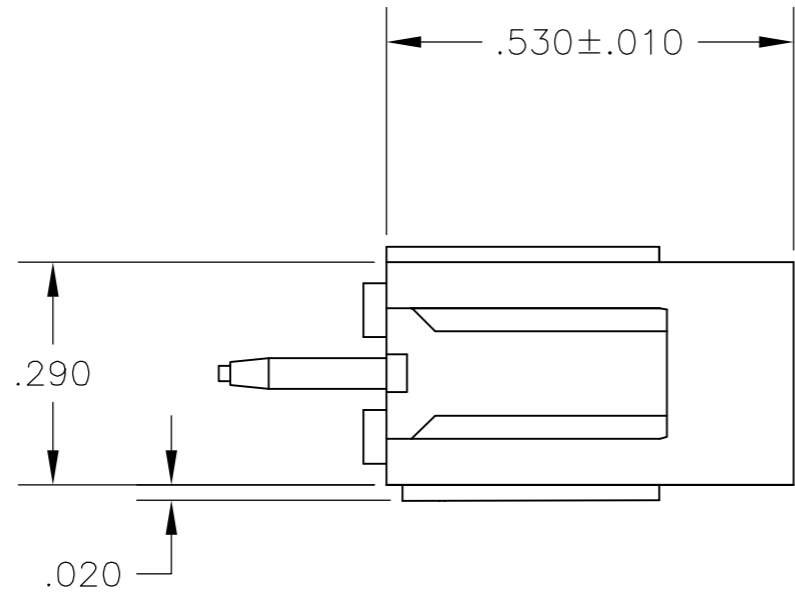
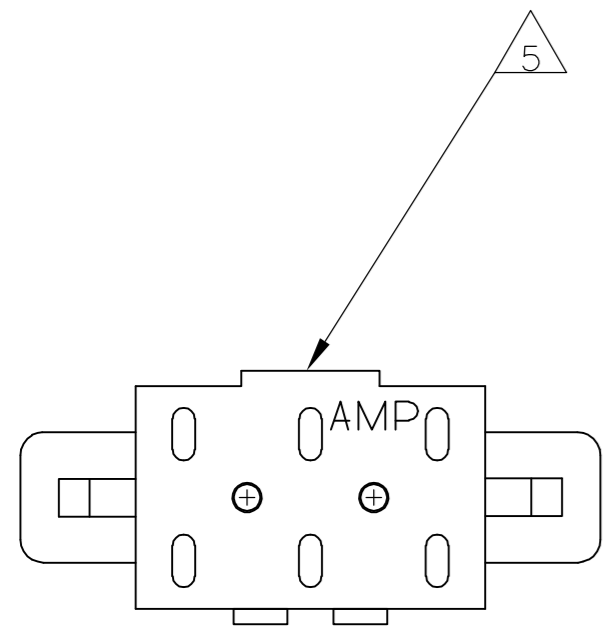
The content and copyrights of the attached
material are the property of its owner.

Jameco Part Number 855068

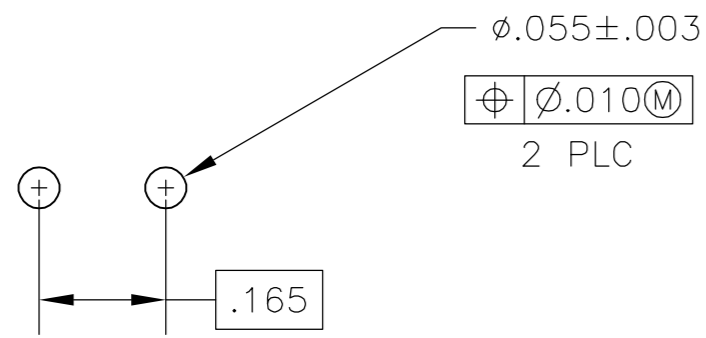
THIS DRAWING IS UNPUBLISHED. RELEASED FOR PUBLICATION
 © COPYRIGHT BY TYCO ELECTRONICS CORPORATION. ALL RIGHTS RESERVED.

LOC	DIST	REVISIONS					
CM	0	P	LTR	DESCRIPTION	DATE	DWN	APVD
		P		EC 0G3B 0249 05	27SEP05	BSV	RCJ

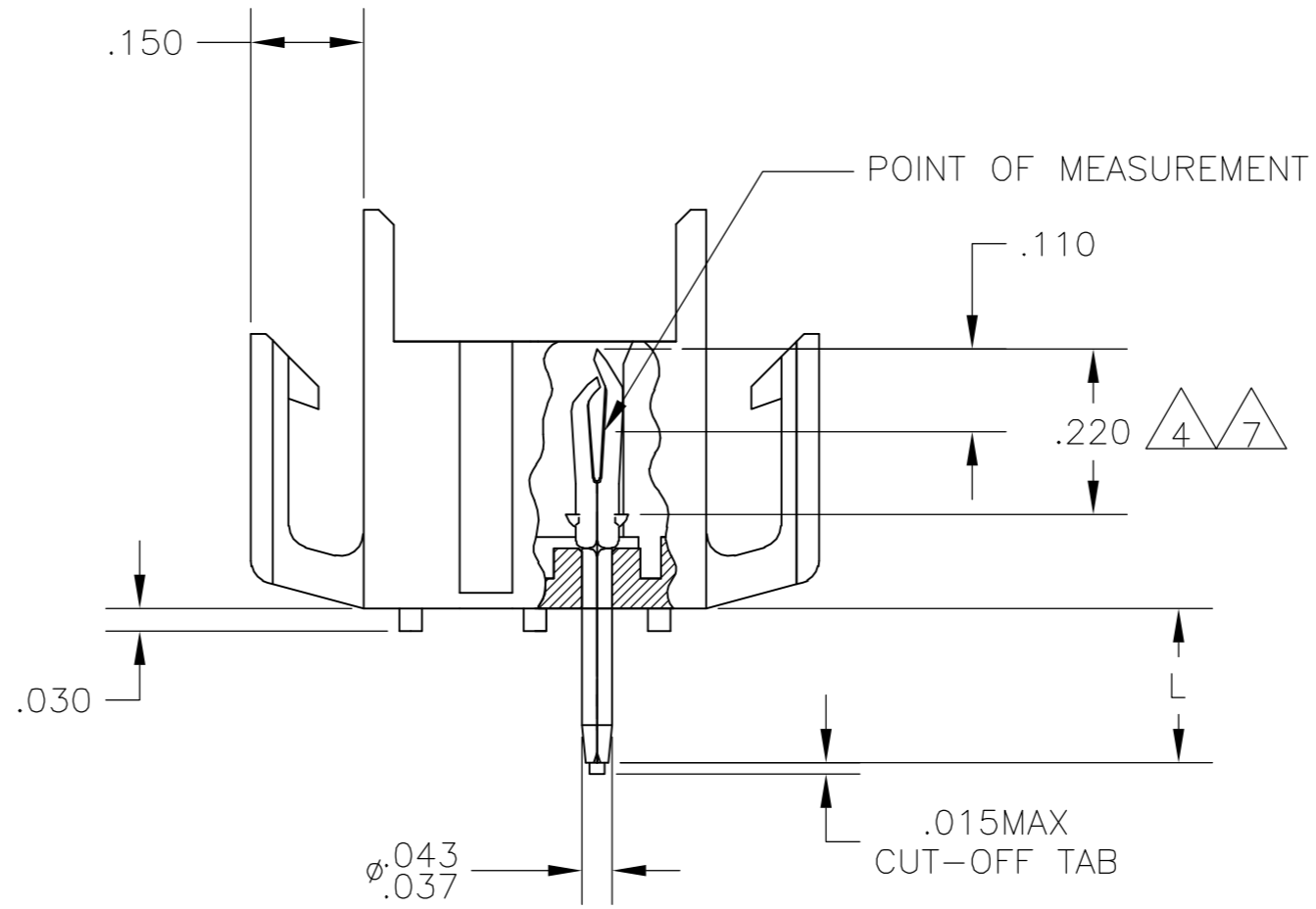
ANTI SOLDER WICKING TAB



- FITS SOCKET HOUSING 640517.
- ASSEMBLY CONFORMS TO AMP SOLDERABILITY SPEC. 109-11-3.
- FOR USE WITH .063 THICK P.C. BOARD.
- CONTACT IS PLATED OVERALL WITH .000050 NICKEL, THEN .000030 GOLD OVER CONTACT LENGTH INDICATED AND .000150 MATTE TIN-LEAD ON SOLDER TAIL END.
- UL AND CSA LOGO LOCATED ON THIS SURFACE.
- FOR USE WITH .120 THICK P.C. BOARD.
- CONTACT IS PLATED OVERALL WITH .000050 NICKEL, THEN .000030 GOLD OVER CONTACT LENGTH INDICATED AND .000150 MATTE TIN ON SOLDER TAIL END.



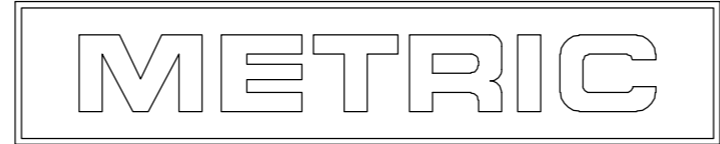
RECOMMENDED P.C. BOARD LAYOUT



IN	MM	IN	MM
.043	1.09	.530	13.46
.037	0.94	.455	11.56
.030	0.76	.290	7.37
.020	0.51	.220	5.59
.015	0.38	.210	5.33
.010	0.25	.165	4.19
.008	0.20	.150	3.81
.005	0.13	.110	2.79
.003	0.08	.063	1.60
.000050	0.00127	.055	1.40
IN	MM	IN	MM

CONVERSION TABLE

.210	6	BRICK RED	GOLD	7	2-640497-4
.150	3	BRICK RED	GOLD	7	2-640497-2
.210	6	BRICK RED	GOLD	4	640497-4
.210	6	BRICK RED	PRE-TIN		640497-3
.150	3	BRICK RED	GOLD	4	640497-2
.150	3	BRICK RED	PRE-TIN		640497-1
"L" + .010 -.020		HOUSING COLOR	PIN FINISH		PART NUMBER



THIS DRAWING IS A CONTROLLED DOCUMENT.

DIMENSIONS: INCHES	TOLERANCES UNLESS OTHERWISE SPECIFIED:	DWN J. HUFFMAN 27APR98	Tyco Electronics Corporation Harrisburg, PA 17105-3608
	0 PLC ± -	CHK R. SWING 27APR98	
	1 PLC ± -	APVD T. BEDDICK 27APR98	
	2 PLC ± -	PRODUCT SPEC	
	3 PLC ± .005	NAME	HEADER ASSEMBLY, PIN, 2 POSITION, MR.
	4 PLC ± -	APPLICATION SPEC	
	ANGLES ± 0°30'	WEIGHT	SIZE A2 CAGE CODE 00779 C=640497
	FINISH SEE TABLE	CUSTOMER DRAWING	SCALE 4:1 SHEET 1 of 1 REV P