

Distributed by:

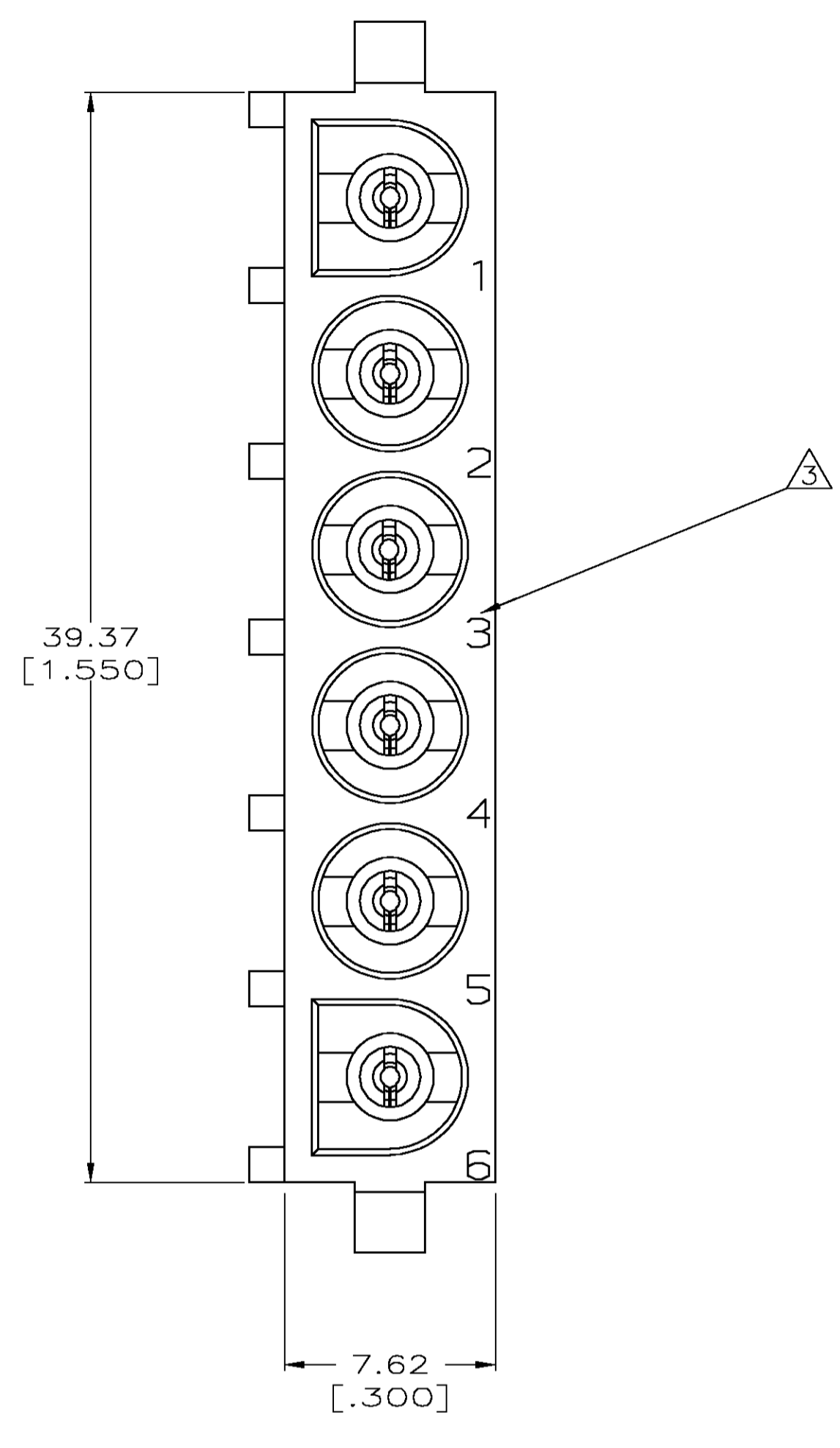
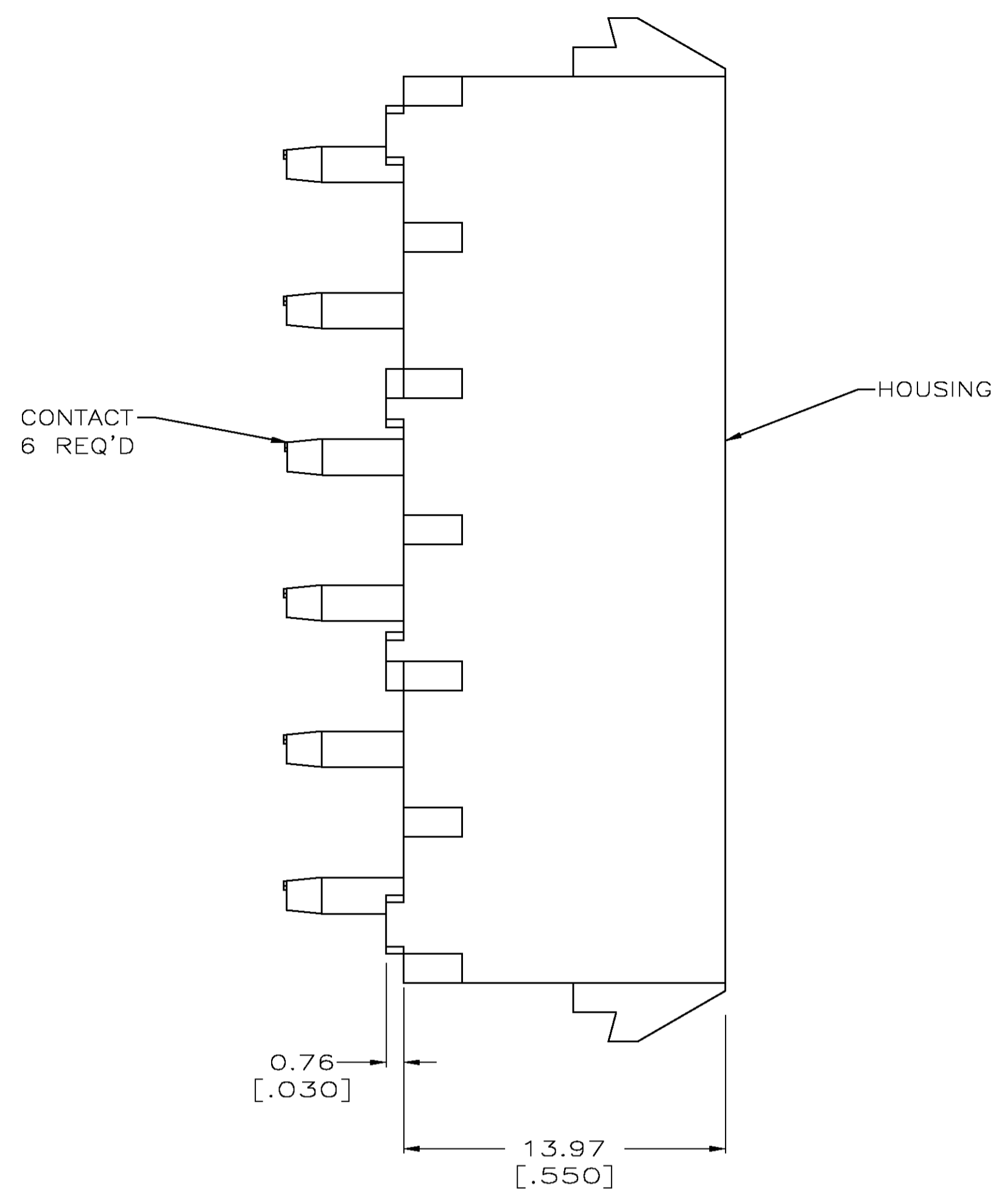
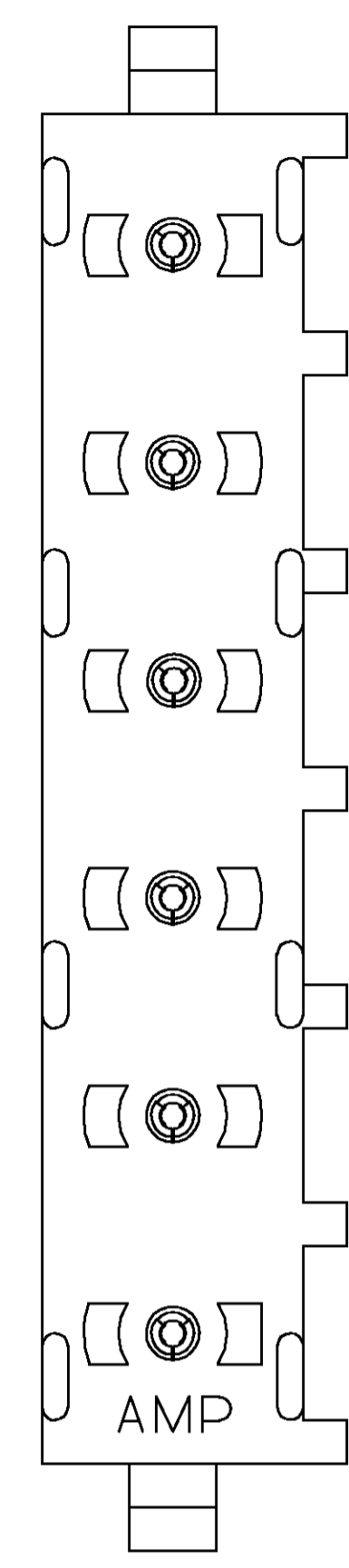
**JAMECO**<sup>®</sup>  
ELECTRONICS

**www.Jameco.com ♦ 1-800-831-4242**

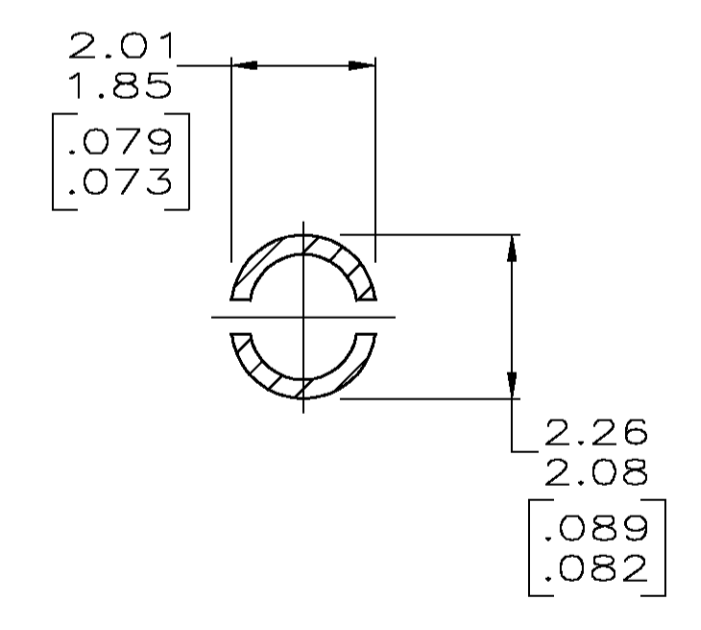
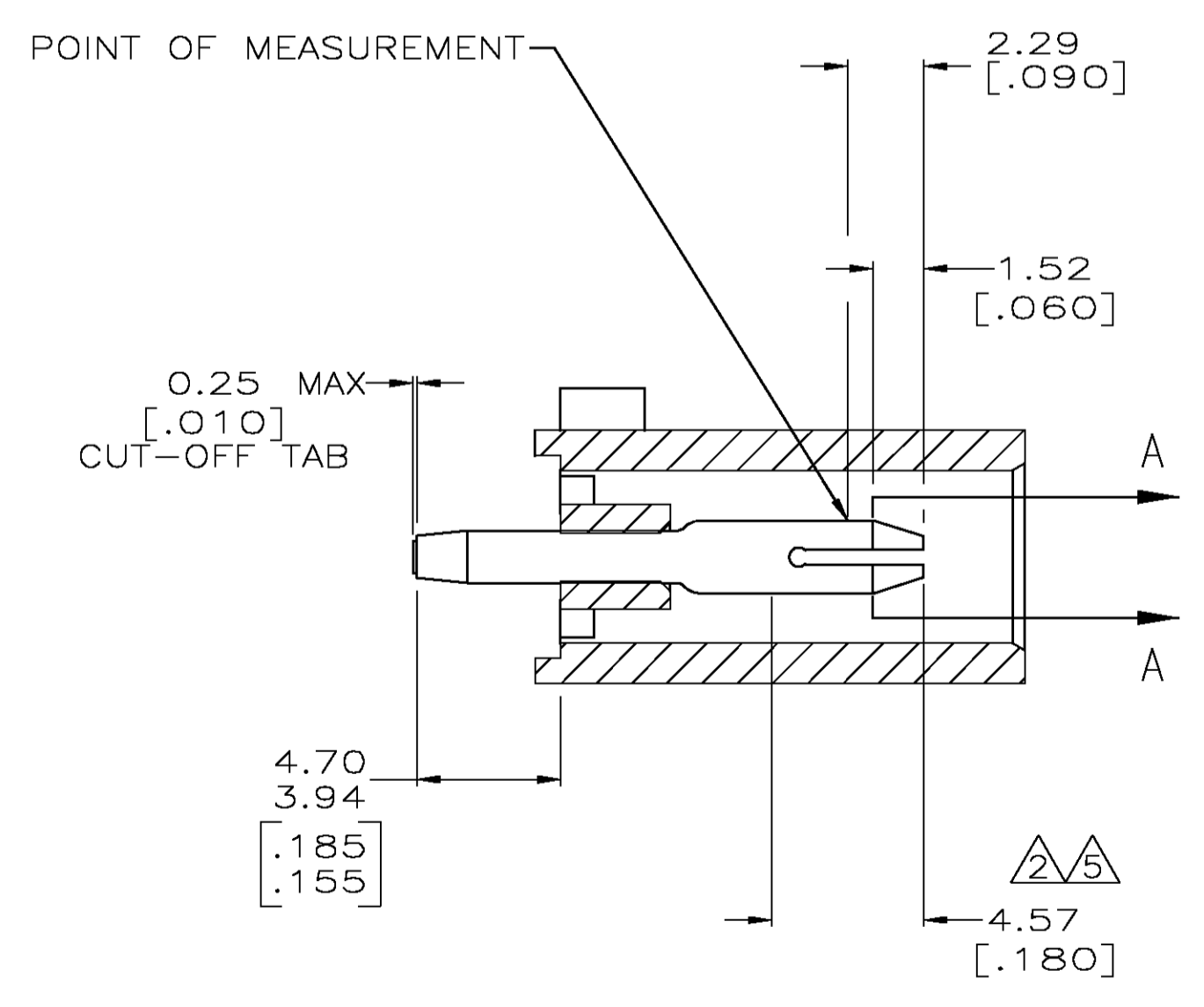
The content and copyrights of the attached  
material are the property of its owner.

Jameco Part Number 856984

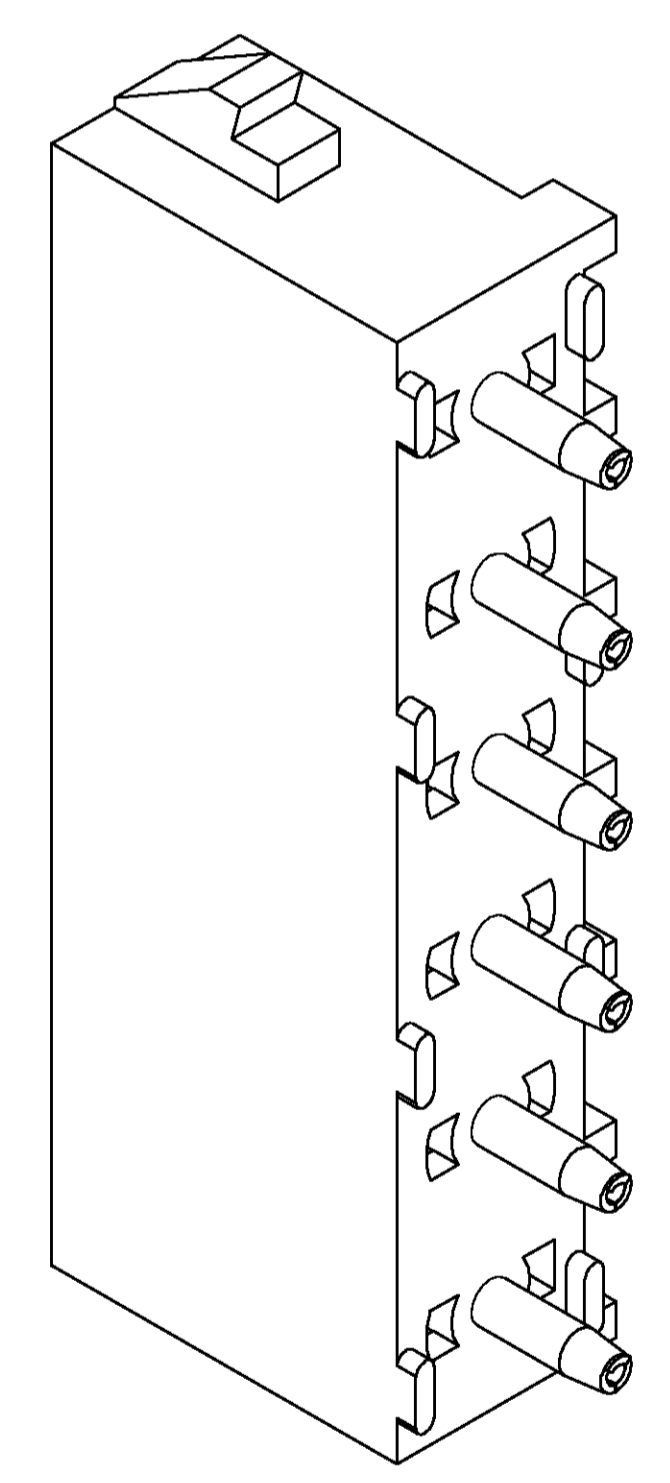
| LOC |    | DIST                     |         | REVISIONS |      |  |  |
|-----|----|--------------------------|---------|-----------|------|--|--|
| P   | LR | DESCRIPTION              | DATE    | BY        | APPD |  |  |
| M   |    | REVISED PER 063B-1094-04 | 19JAN05 | KW        | SR   |  |  |



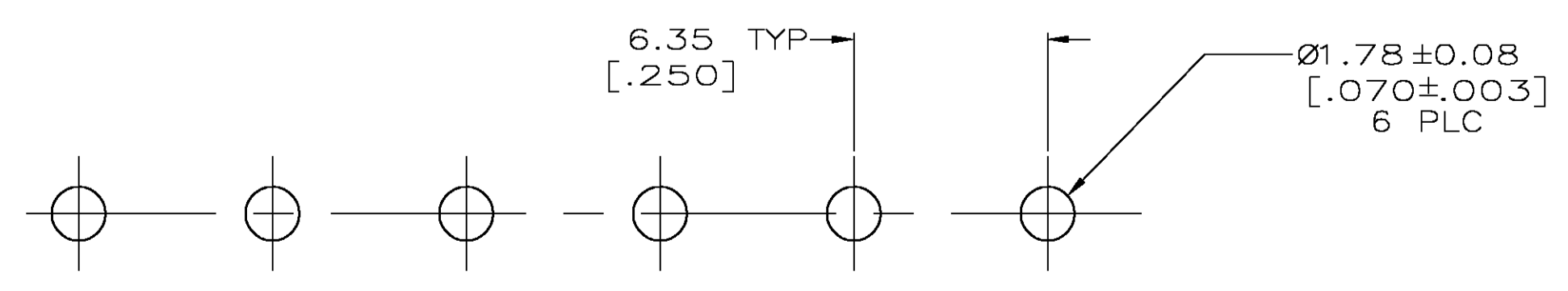
- PARTS COMPLY TO AMP SOLDERABILITY SPECIFICATION 109-11-3.
- CONTACT IS PLATED OVERALL WITH 0.00127 [.000050] NICKEL, THEN 0.00076 [.000030] GOLD OVER CONTACT LENGTH INDICATED AND MATTE TIN LEAD ON SOLDER TAIL END.
- CIRCUIT IDENTIFICATION CHARACTERS ARE ADJACENT TO THE INDICATED CAVITIES, BUT LOCATION AND ORIENTATION MAY DIFFER FROM PRINT.
- DIMENSIONS IN BRACKETS ARE IN INCHES.
- CONTACT IS PLATED OVERALL WITH 0.00127 [.000050] NICKEL, THEN 0.00076 [.000030] GOLD OVER CONTACT LENGTH INDICATED AND MATTE TIN ON SOLDER TAIL END.



SECTION A-A  
SCALE 10:1



3-DIMENSIONAL MODEL  
NTS



RECOMMENDED MOUNTING HOLE PATTERN  
FOR 1.57 [.062] THICK P.C. BOARD

|                                 |                       |             |
|---------------------------------|-----------------------|-------------|
| PHOSPHOR BRONZE, GOLD           | NYLON, UL94V-0, WHITE | 641831-3    |
| PHOSPHOR BRONZE, GOLD           | NYLON, UL94V-0, WHITE | 641831-2    |
| PHOSPHOR BRONZE, PRE-TIN        | NYLON, UL94V-0, WHITE | 641831-1    |
| PIN CONTACT MATERIAL AND FINISH | HOUSING MATERIAL      | PART NUMBER |

**METRIC**

THIS DRAWING IS A CONTROLLED DOCUMENT.

|                         |  |                     |                |                |                 |                    |                |               |                |                  |                    |                  |  |
|-------------------------|--|---------------------|----------------|----------------|-----------------|--------------------|----------------|---------------|----------------|------------------|--------------------|------------------|--|
| DIMENSIONS: mm [INCHES] | TOLERANCES UNLESS OTHERWISE SPECIFIED: | APVD: M. TRULL      | NAME: M. TRULL | DATE: 10-05-98 | REV: 10-05-98   | DESIGNER: D. LEWIS | DATE: 10-05-98 | CHK: R. SWING | DATE: 10-05-98 | APPD: M. TRULL   | DATE: 10-05-98     | TYCO ELECTRONICS | Tyco Electronics Corporation<br>Greensboro, NC 27409 |
| 0 PLC ± -               | 1 PLC ± -                              | 2 PLC ± 0.13 [.005] | 3 PLC ± -      | 4 PLC ± -      | ANGLES ± -0°30' | FINISH: SEE TABLE  | WEIGHT: -      | SIZE: A1      | SCALE: 5:1     | CAGE CODE: 00779 | DRAWING NO: 641831 | RESTRICTED TO: - | REVISIONS: 1 OF 1                                    |

CUSTOMER DRAWING