

Distributed by:

**JAMECO**<sup>®</sup>  
ELECTRONICS

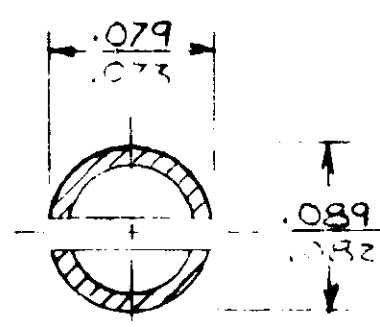
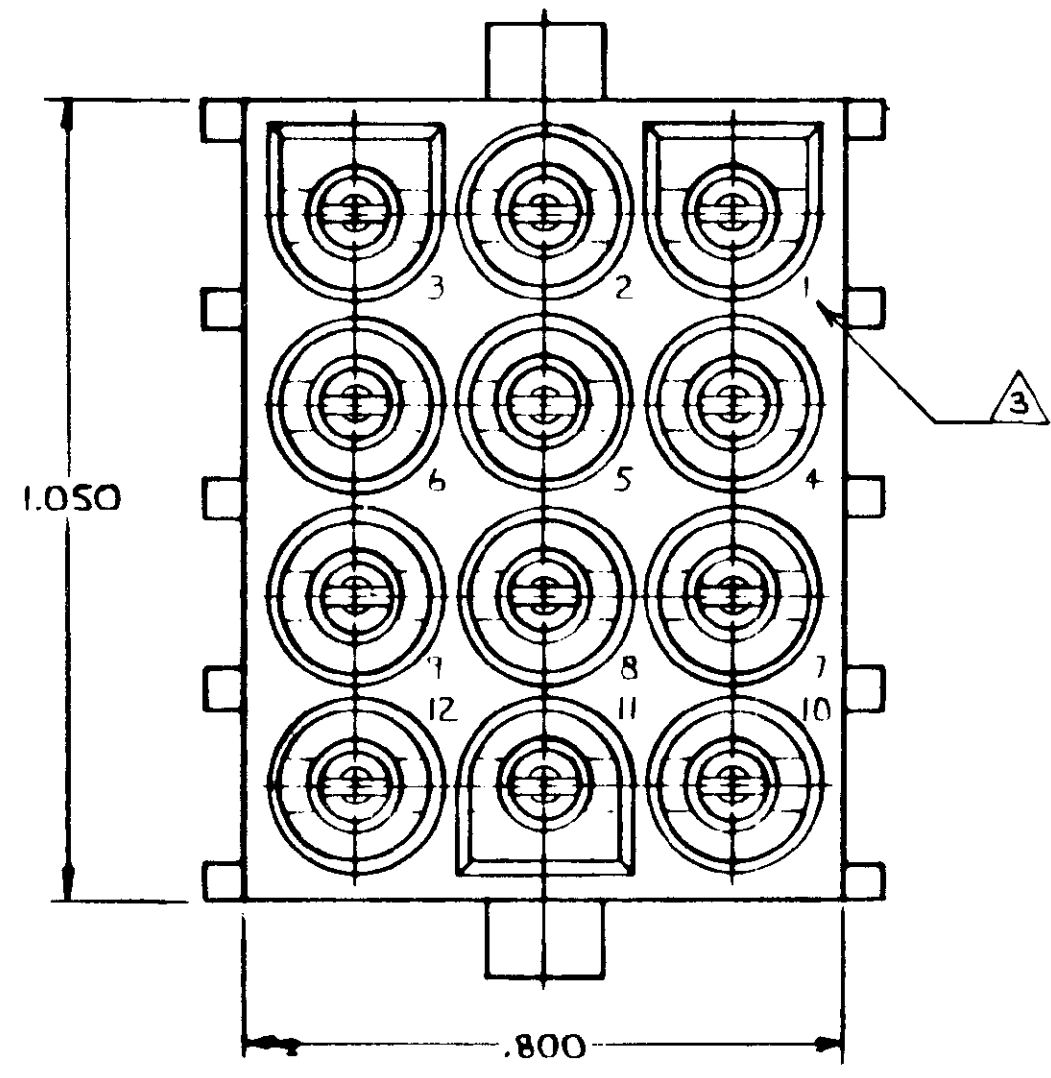
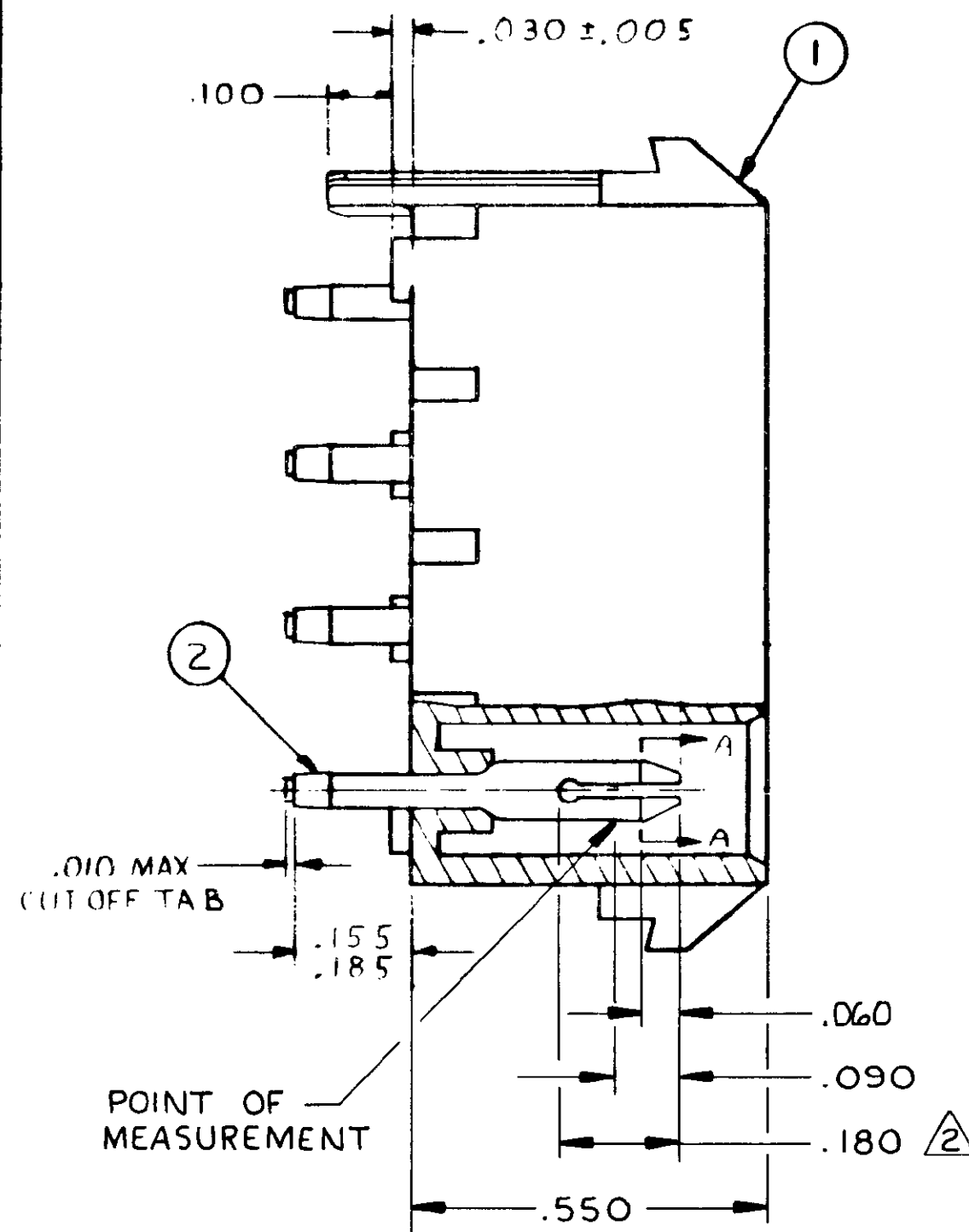
**www.Jameco.com ♦ 1-800-831-4242**

The content and copyrights of the attached  
material are the property of its owner.

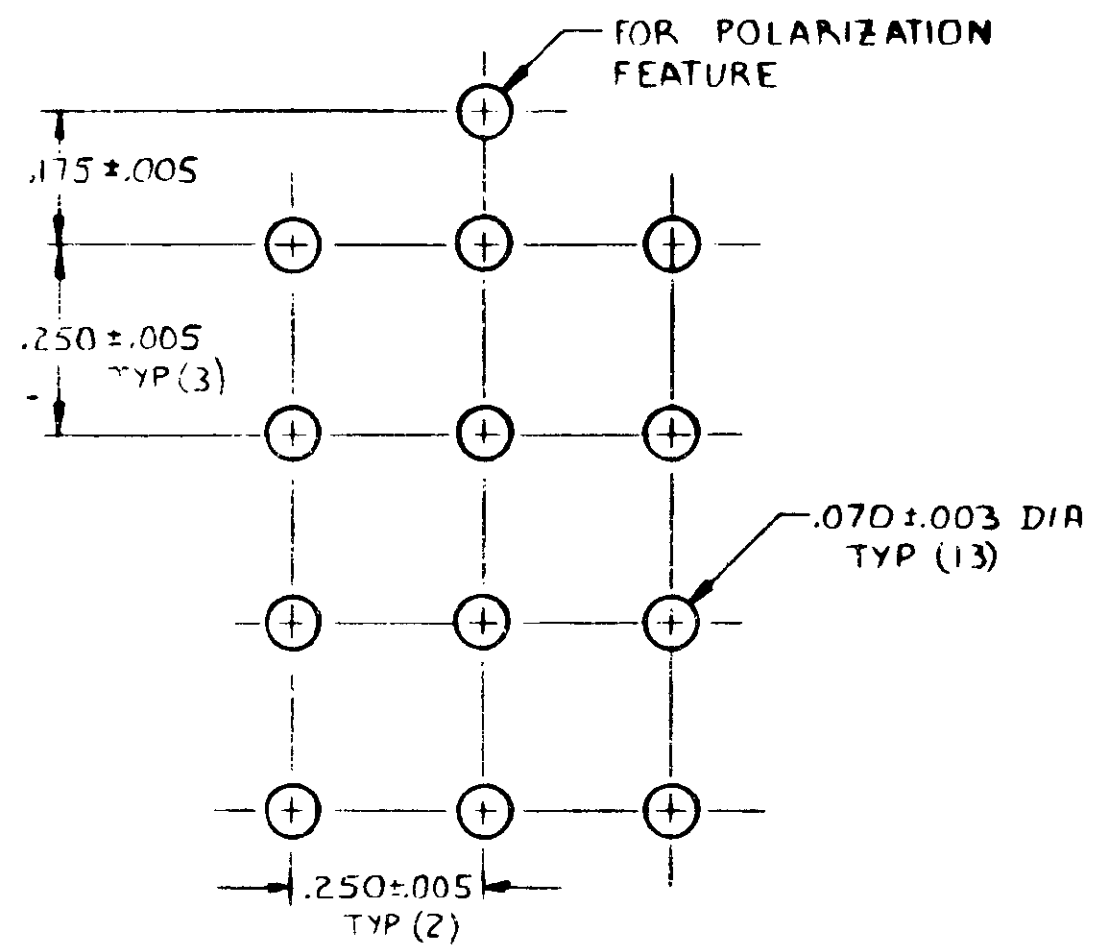
Jameco Part Number 857371

THIS DRAWING IS UNPUBLISHED. RELEASED FOR PUBLICATION  
 © COPYRIGHT 19 BY AMP INCORPORATED, HARRISBURG, PA. ALL INTERNATIONAL RIGHTS RESERVED. AMP PRODUCTS MAY BE COVERED BY U.S. AND FOREIGN PATENTS AND/OR PATENTS PENDING.

REVISIONS					
P	F	ZONE	LTR	DESCRIPTION	DATE APPROVED
✓				D RELEASE DRAWING PER M-6672	11/18/81 MISF/LH
✓				A ADDED DRAIN HOLES M-6977	2/1/82 DAY/LH
✓				B ADDED SECT. A-A M-7157	2/1/82 DAY/LH
✓				C REV PER ECN M-7384	9/13/83 TEB/SJ
✓				CI RESTORATION	8-1-85 LS/SJ
✓				D ADDED -2 PER TTI CM85-74	9-18-85 CM/RS
✓				E OBSOLETE -2 PER CM-947	7-14-87 PKC
✓				F REVISE PER CM-1511	2-10-88 PKC RS
✓				G REVISED PER CM-3328	2-19-91 PKC RS
✓				H REV PER ECN 0730-3928-92	1-8-93 NJG RS
✓				J REVISED PER EC 0730-4181-93	7-6-93 LHS RS
✓				K REVISED PER ECO730-0111-95	8-28-95 JH RS



SECTION A-A  
SCALE 10:1



RECOMMENDED LAYOUT FOR  
 .062 THICK P.C. BOARD  
 (TOLERANCES NON-CUMULATIVE  
 WITHIN .250 GRID PATTERN)

- 1. PARTS COMPLY WITH AMP SOLDERABILITY SPEC 109-11-3.
- 2 CONTACT IS PLATED OVERALL WITH .000050 NICKEL, THEN .000030 GOLD OVER CONTACT LENGTH INDICATED AND MATTE TIN ON SOLDER TAIL END.
- 3 CIRCUIT IDENTIFICATION CHARACTERS ARE ADJACENT TO THE INDICATED CAVITIES, BUT LOCATION AND ORIENTATION MAY DIFFER FROM PRINT.

FINISH	MATERIAL	NO PER ASSEMBLY	ITEM NO	PART NO
PRE-TIN	FINISH BRZ	12	CONTACT (2)	641973-1
NATURAL	NYLON 14V-2	1	HOUSING (1)	

UNLESS OTHERWISE SPECIFIED DIMENSIONS ARE IN INCHES TOLERANCES ON: DECIMALS ± .015 ANGLES ±	CONTRACT NO	<b>AMP</b>   AMP INCORPORATED Harrisburg, Pa. 17105		
	MATERIAL			
FINISH	SEE TABLE	NAME	PIN HEADER ASSEMBLY, UNIVERSAL MATE-N-LOK™, 12 CIRCUIT	
OTHER APPD	SEE TABLE	SIZE	FSCM NO	DRAWING NO
		C	00779	641973
		SCALE 4-1		SHEET

641973