

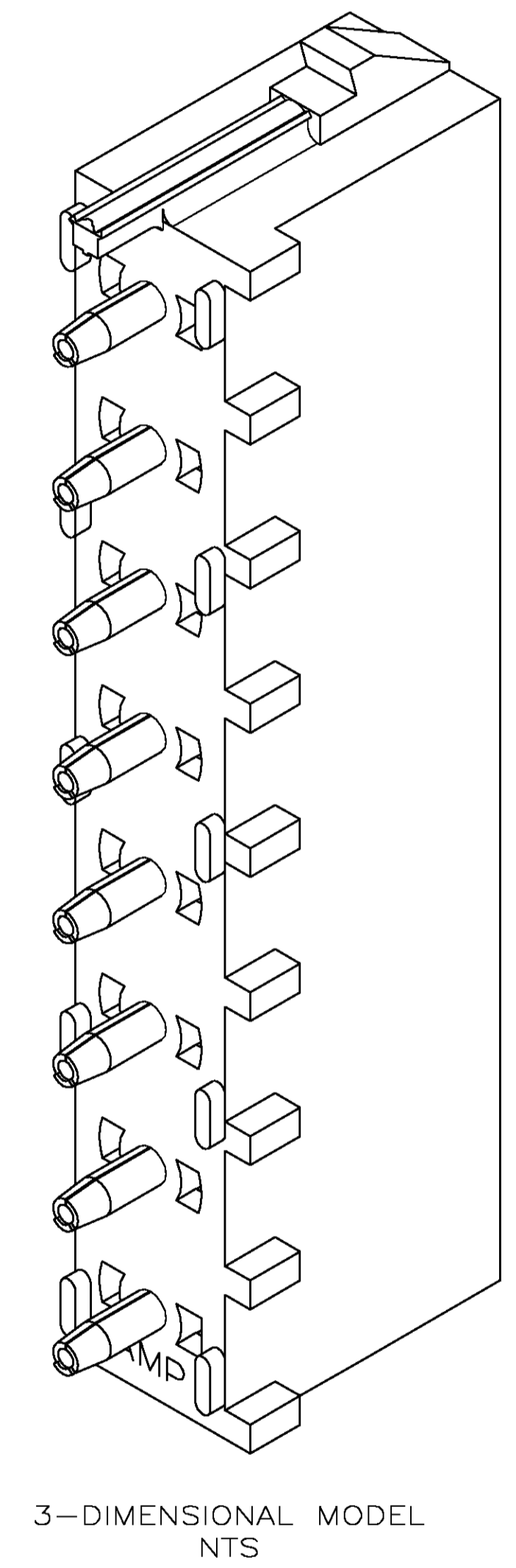
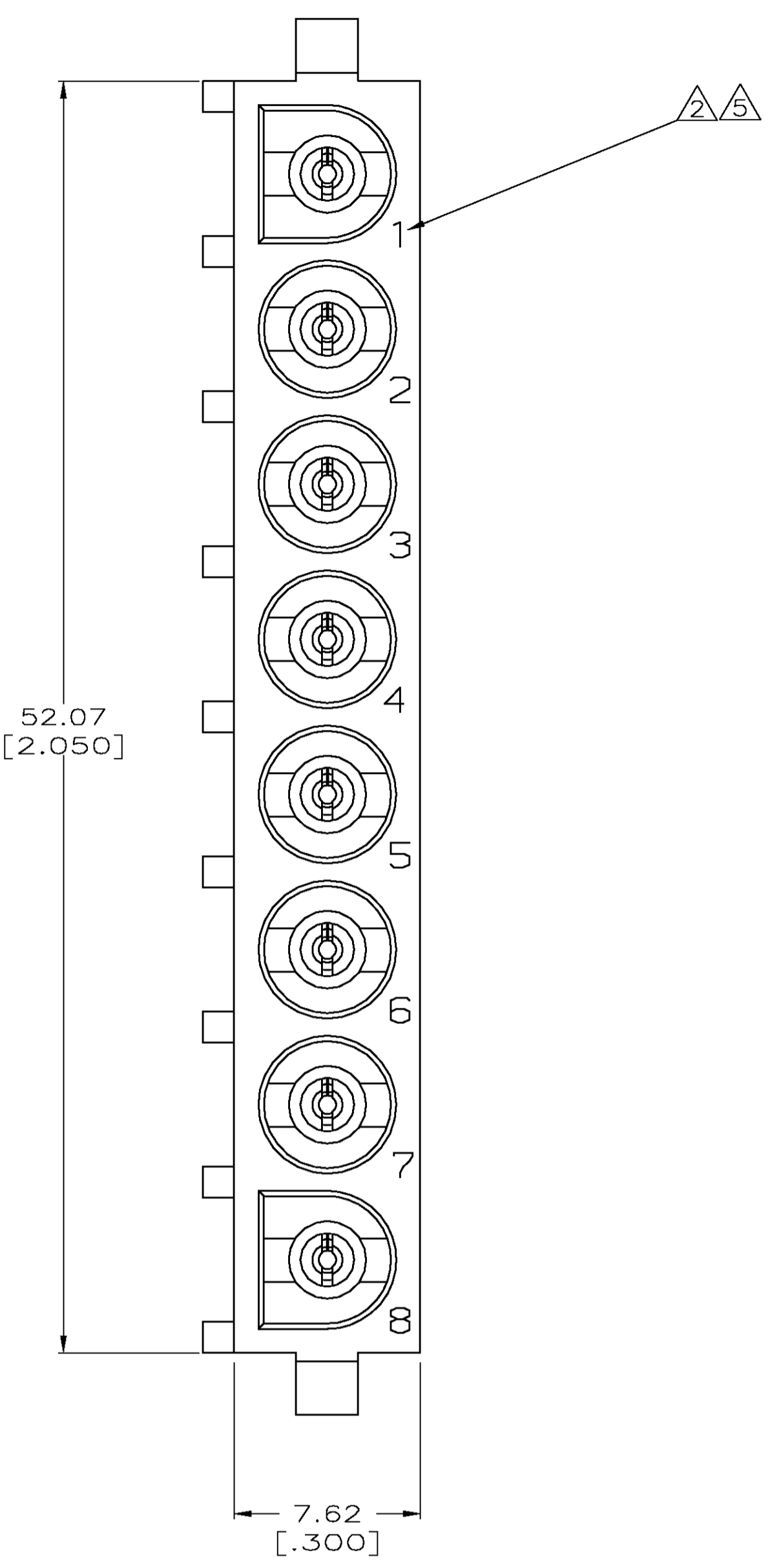
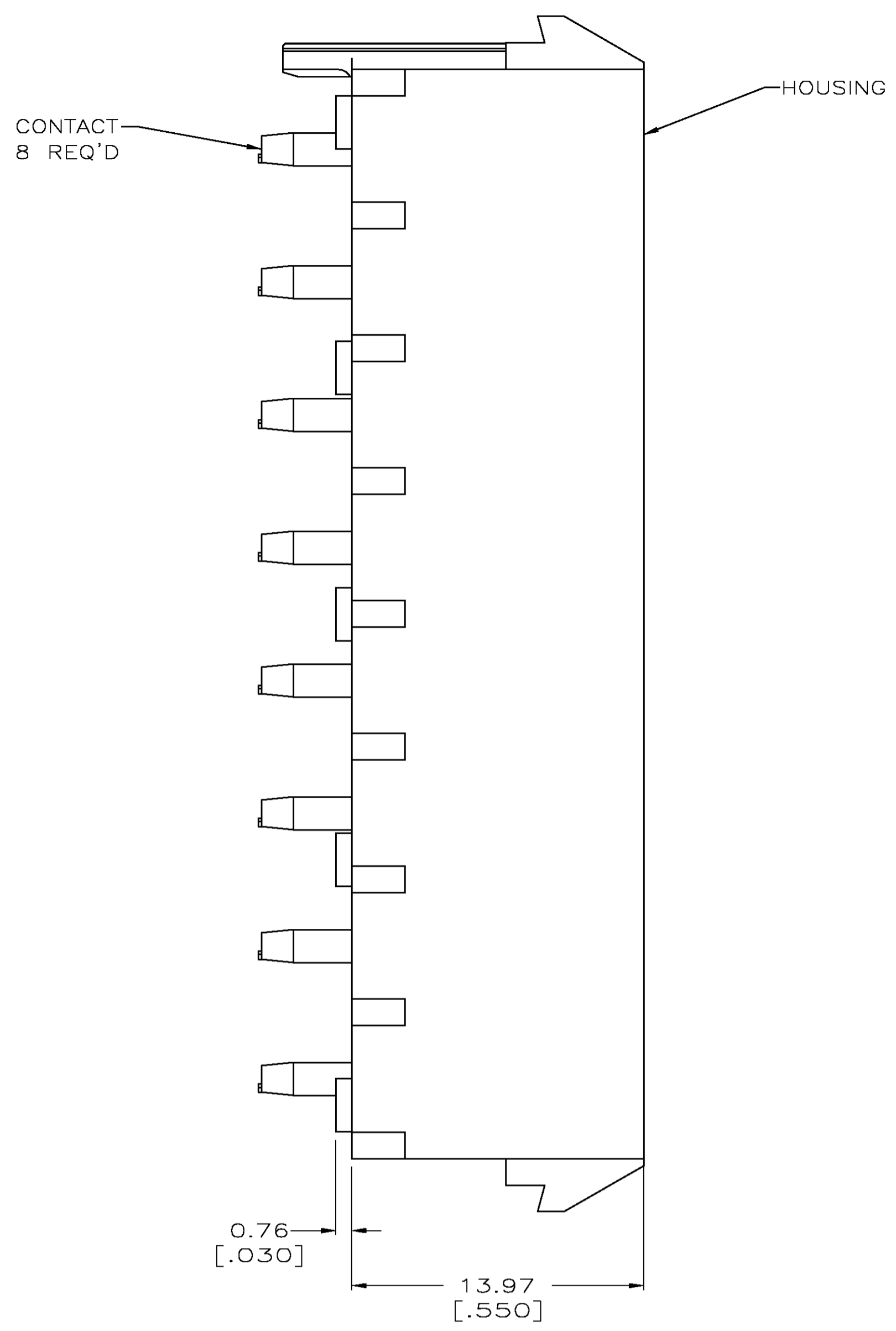
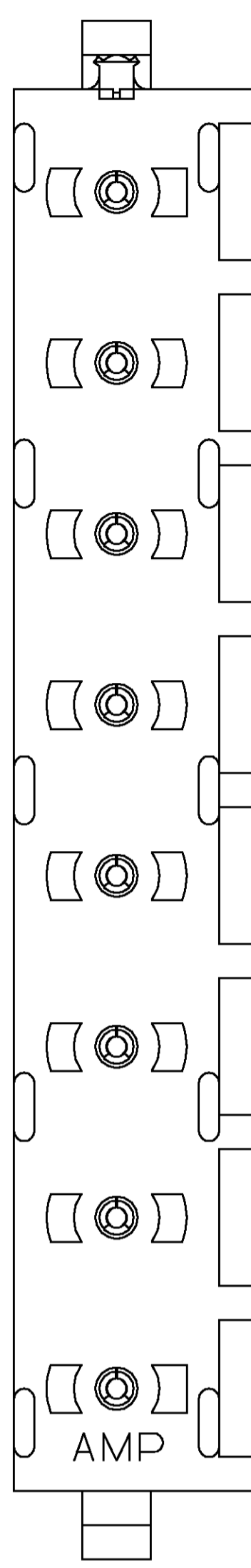
Distributed by:

JAMECO[®]
ELECTRONICS

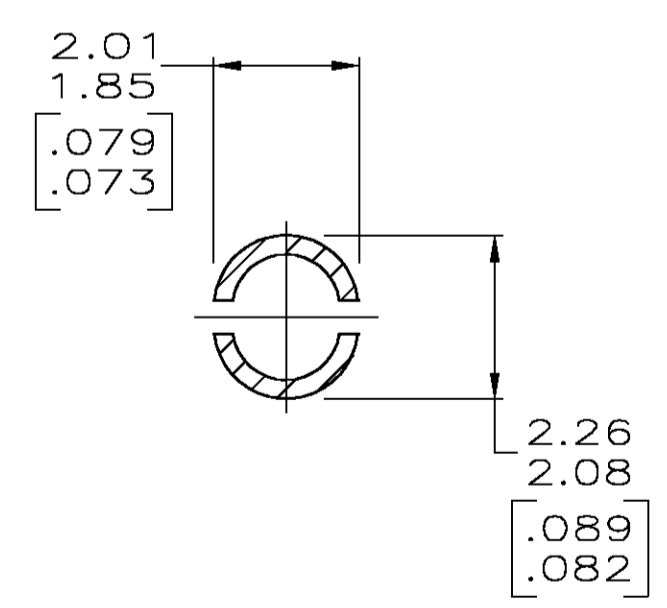
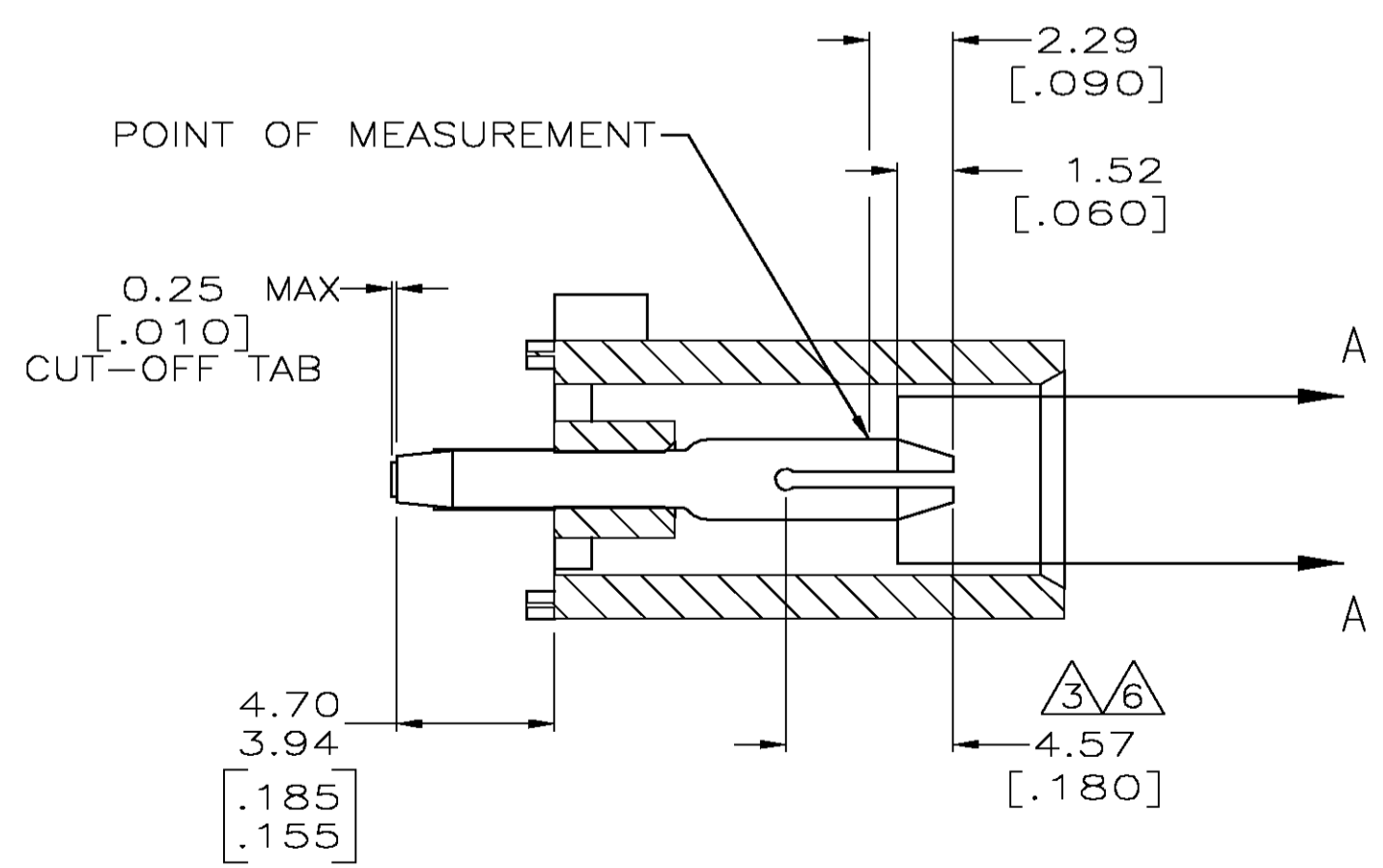
www.Jameco.com ♦ 1-800-831-4242

The content and copyrights of the attached
material are the property of its owner.

Jameco Part Number 857864

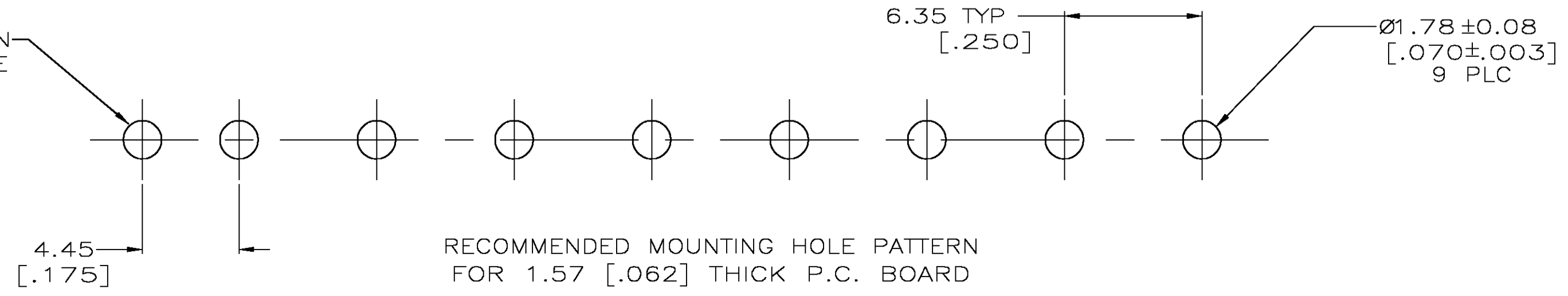


- PARTS COMPLY TO AMP SOLDERABILITY SPECIFICATION 109-11-3.
- CIRCUIT IDENTIFICATION CHARACTERS ARE ADJACENT TO THE INDICATED CAVITIES, BUT LOCATION AND ORIENTATION MAY DIFFER FROM PRINT.
- CONTACT IS PLATED OVERALL WITH 0.00127 [.000050] NICKEL, THEN 0.00076 [.000030] GOLD OVER CONTACT LENGTH INDICATED AND MATTE TIN LEAD ON SOLDER TAIL END.
- DIMENSIONS IN BRACKETS ARE IN INCHES.
- IDENTIFICATION WILL APPEAR AT CIRCUIT NO. 1, OTHERS OPTIONAL.
- CONTACT IS PLATED OVERALL WITH 0.00127 [.000050] NICKEL, THEN 0.00076 [.000030] GOLD OVER CONTACT LENGTH INDICATED AND MATTE TIN ON SOLDER TAIL END.



SECTION A-A
SCALE 10:1

FOR POLARIZATION FEATURE



PHOSPHOR BRONZE, GOLD	NYLON, UL94V-0, WHITE	643410-3
PHOSPHOR BRONZE, GOLD	NYLON, UL94V-0, WHITE	643410-2
PHOSPHOR BRONZE, PRE-TIN	NYLON, UL94V-0, WHITE	643410-1
PIN CONTACT MATERIAL AND FINISH	HOUSING MATERIAL	PART NUMBER

METRIC

THIS DRAWING IS A CONTROLLED DOCUMENT.

DIMENSIONS: mm [INCHES]	TOLERANCES UNLESS OTHERWISE SPECIFIED:	APVD	NAME
0 PLC ± -	1 PLC ± -	L. McEACHIN	07-JAN-2000
2 PLC ± 0.13 [.005]	3 PLC ± -	K. COBLE	07-JUN-2000
4 PLC ± -	ANGLES ± - 0° 30'	K. COBLE	07-JUN-2000
MATERIAL SEE TABLE	FINISH SEE TABLE	APVD	NAME
		K. COBLE	07-JUN-2000
		PRODUCT SPEC	
		APPLICATION SPEC	
		WEIGHT	
		SIZE	SCALE
		A1	5:1
		DRAWING NO	SHEET
		00779	1 OF 1
		C=643410	REV
			N

CUSTOMER DRAWING