

Distributed by:

JAMECO[®]
ELECTRONICS

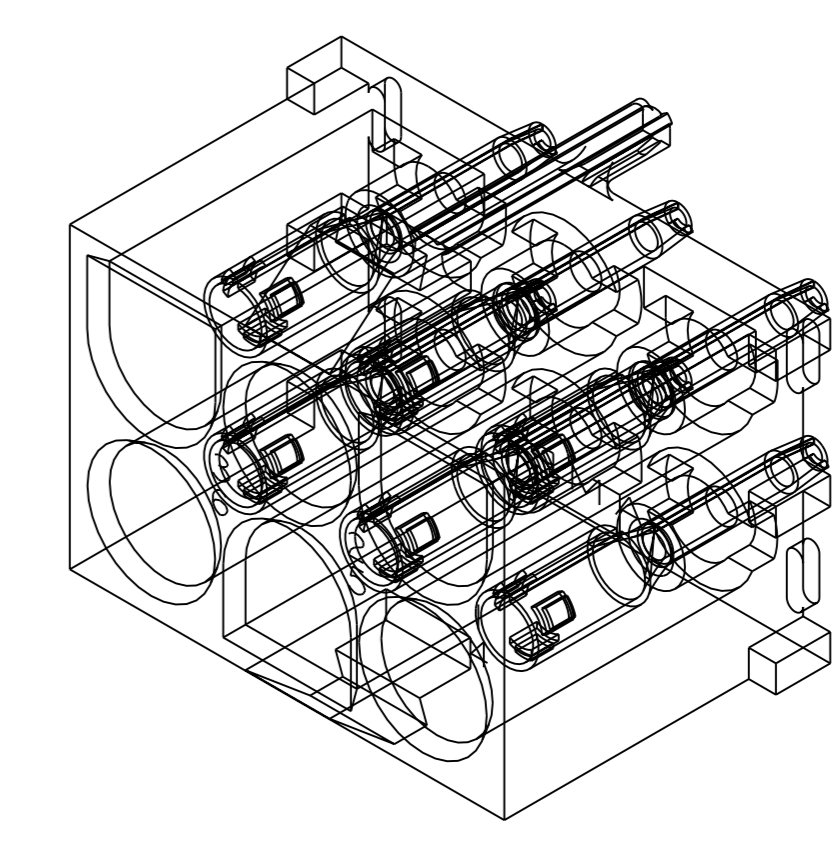
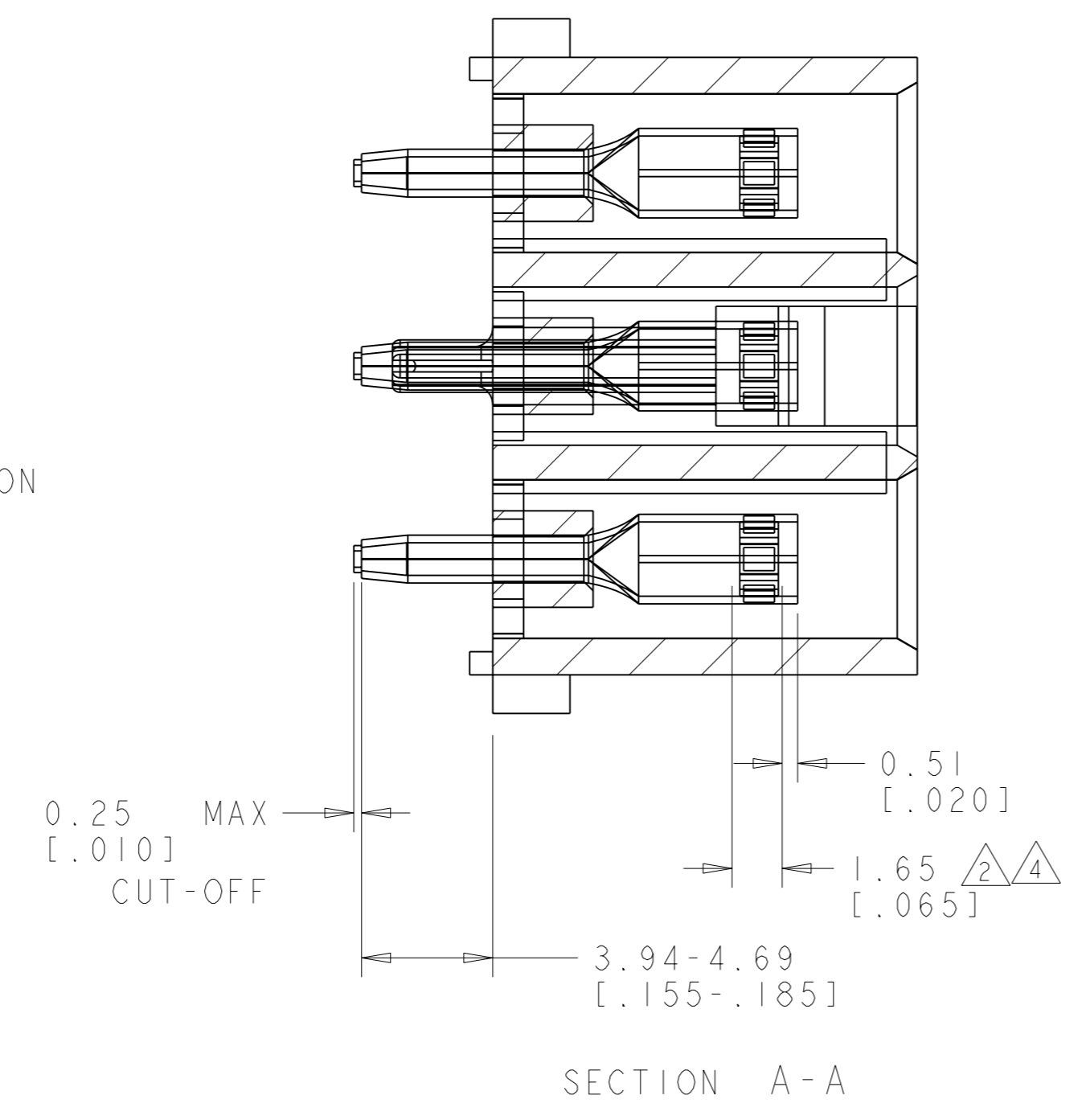
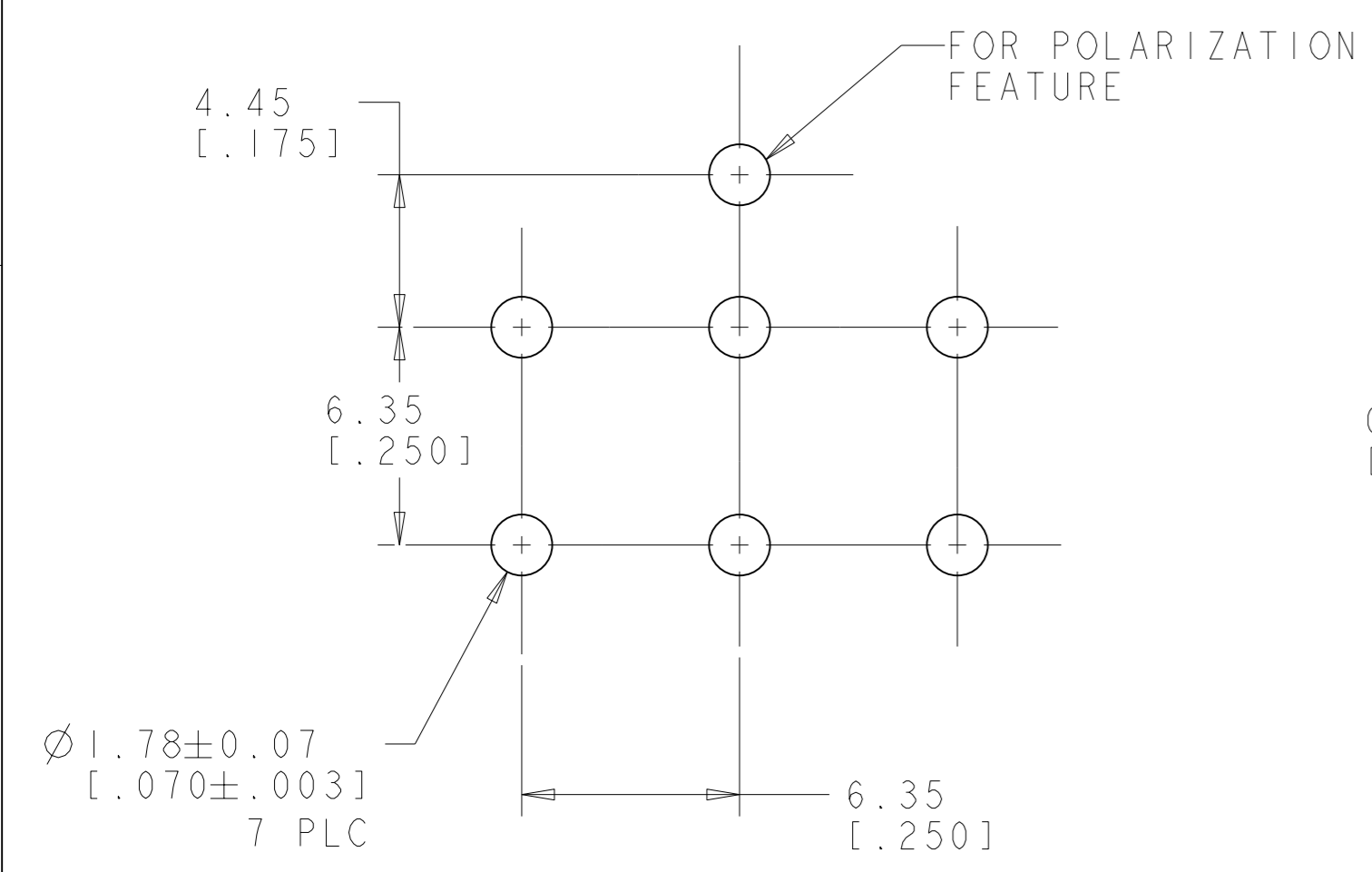
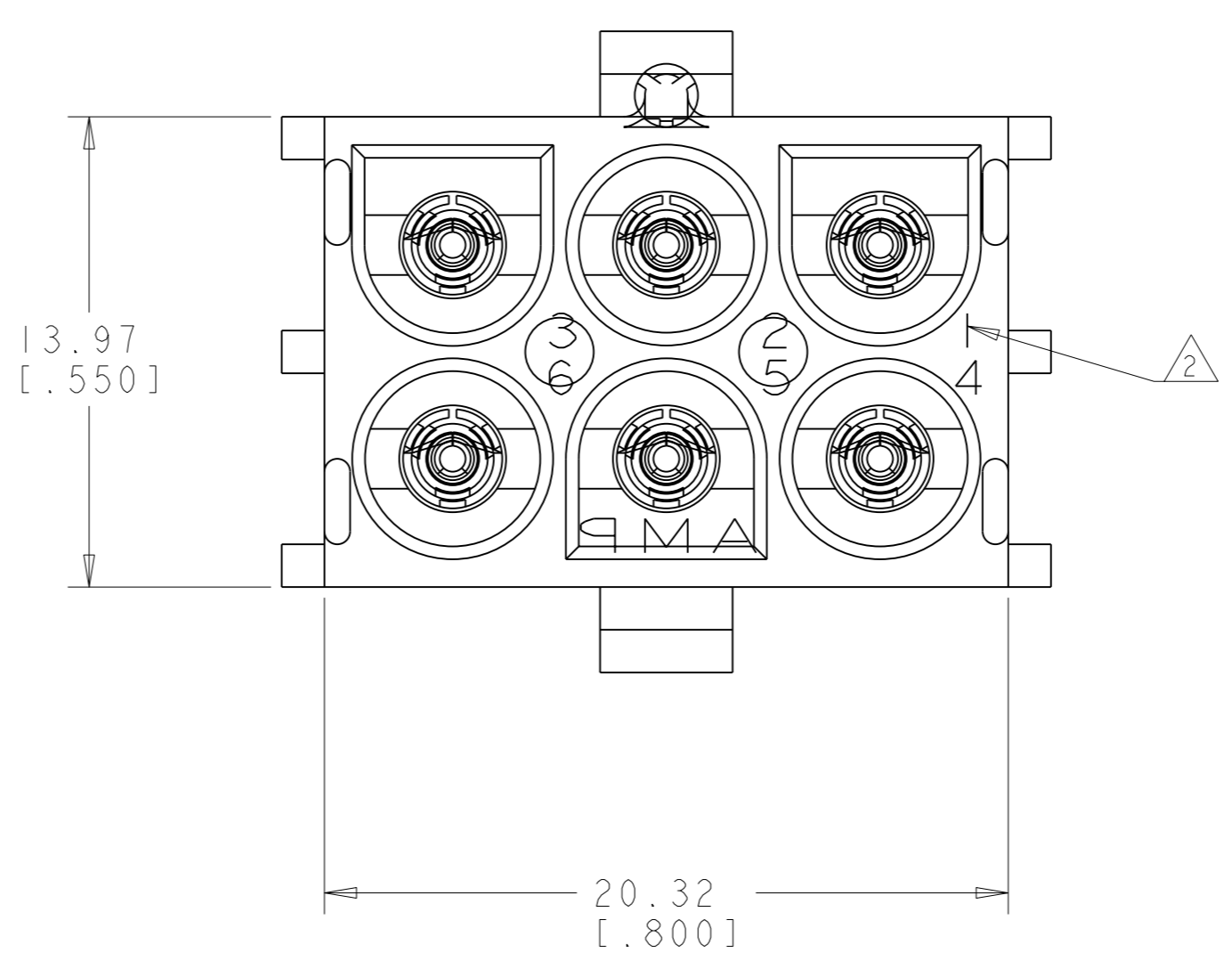
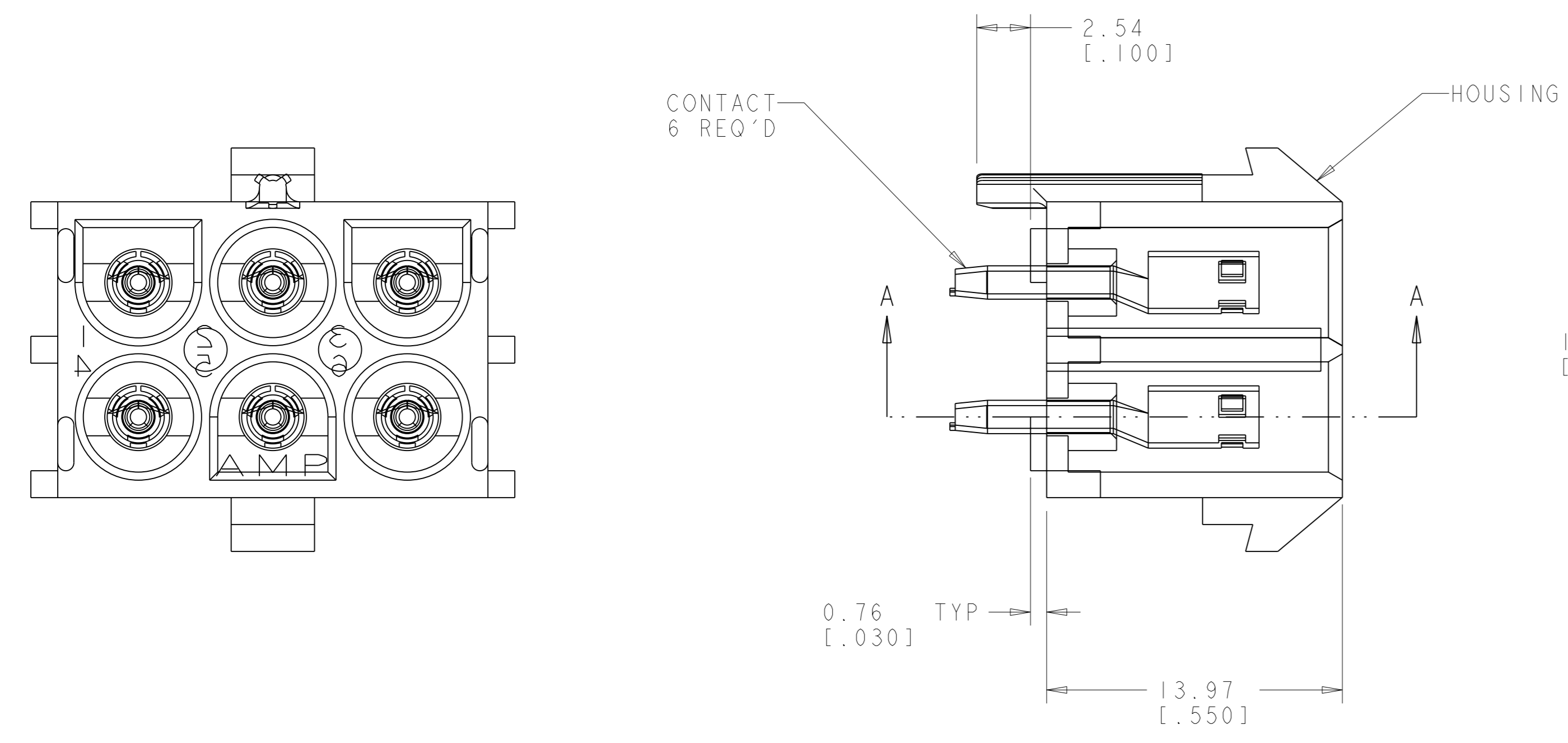
www.Jameco.com ♦ 1-800-831-4242

The content and copyrights of the attached
material are the property of its owner.

Jameco Part Number 857952

LOC	DIST	REVISIONS			
F	LTR	DESCRIPTION	DATE	DWN	APVD
CM	00	H	REVISED PER 0G3B-1100-04	130CT05	KW SR

1. PARTS COMPLY TO AMP SOLDERABILITY SPECIFICATION 109-11-3.
- ② CONTACT IS PLATED OVERALL WITH 0.00127 [.000050] NICKEL, THEN STRIPED WITH 0.00076 [.000030] GOLD IN CONTACT AREA AND TIN-LEAD ON SOLDER TAIL END.
- ③ CIRCUIT IDENTIFICATION CHARACTERS ARE ADJACENT TO THE INDICATED CAVITIES, BUT LOCATION AND ORIENTATION MAY DIFFER FROM PRINT.
- ④ CONTACT IS PLATED OVERALL WITH 0.00127 [.000050] NICKEL, THEN 0.00076 [.000030] GOLDOVER CONTACT LENGTH INDICATED AND MATTE TIN ON SOLDER TAIL END.



SCALE 4:1

④	PHOSPOR BRONZE, GOLD	NYLON, UL94V-0	643424-3
②	PHOSPOR BRONZE, GOLD	NYLON, UL94V-0	643424-2
	PHOSPOR BRONZE, PRE-TIN	NYLON, UL94V-0	643424-1
	CONTACT	HOUSING	PART NUMBER

RECOMMENDED MOUNTING HOLE PATTERN FOR 1.57 [0.062] THICK P.C. BOARD

METRIC

DIMENSIONS: mm [INCHES]		TOLERANCES UNLESS OTHERWISE SPECIFIED:		DWN: K. WHITAKER 130CT2005		APVD: S. RIDGILL 130CT2005		NAME: tyco Electronics Tyco Electronics Harrisburg, PA 17105-3608	
0 PLC	±	0.131	±	0.131	±	0.131	±	0.131	±
1 PLC	±	0.131	±	0.131	±	0.131	±	0.131	±
2 PLC	±	0.131	±	0.131	±	0.131	±	0.131	±
3 PLC	±	0.131	±	0.131	±	0.131	±	0.131	±
4 PLC	±	0.131	±	0.131	±	0.131	±	0.131	±
ANGLES	±	40°	±	40°	±	40°	±	40°	±
MATERIAL	SEE TABLE	FINISH	SEE TABLE	WEIGHT	-	SCALE	5:1	SHEET	1 OF 1
CUSTOMER DRAWING		DRAWING NO. 00779		PART NO. 643424		REV		H	