

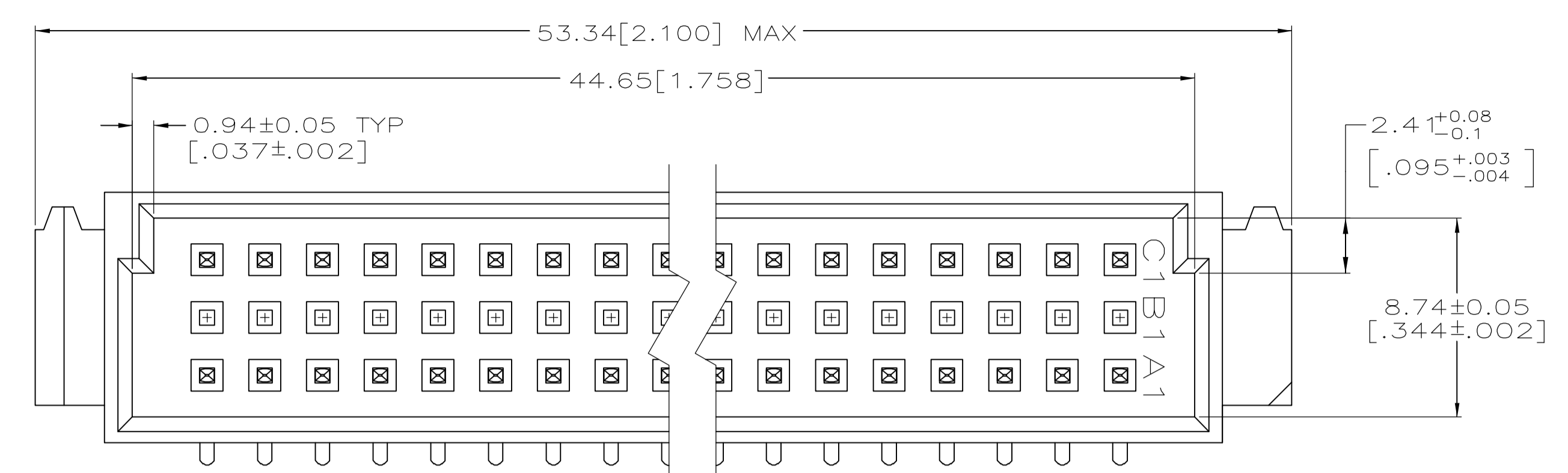
Distributed by:

JAMECO[®]
ELECTRONICS

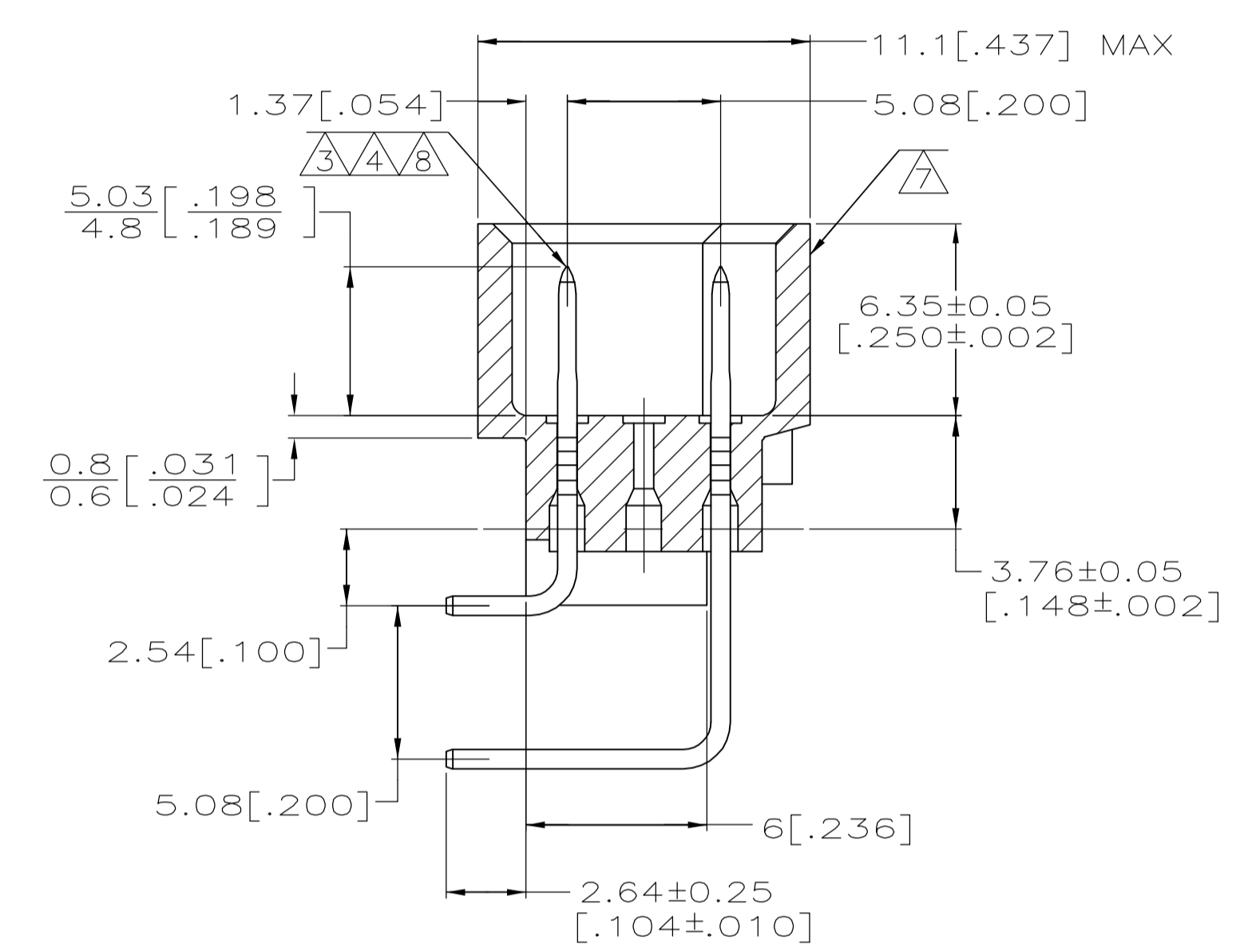
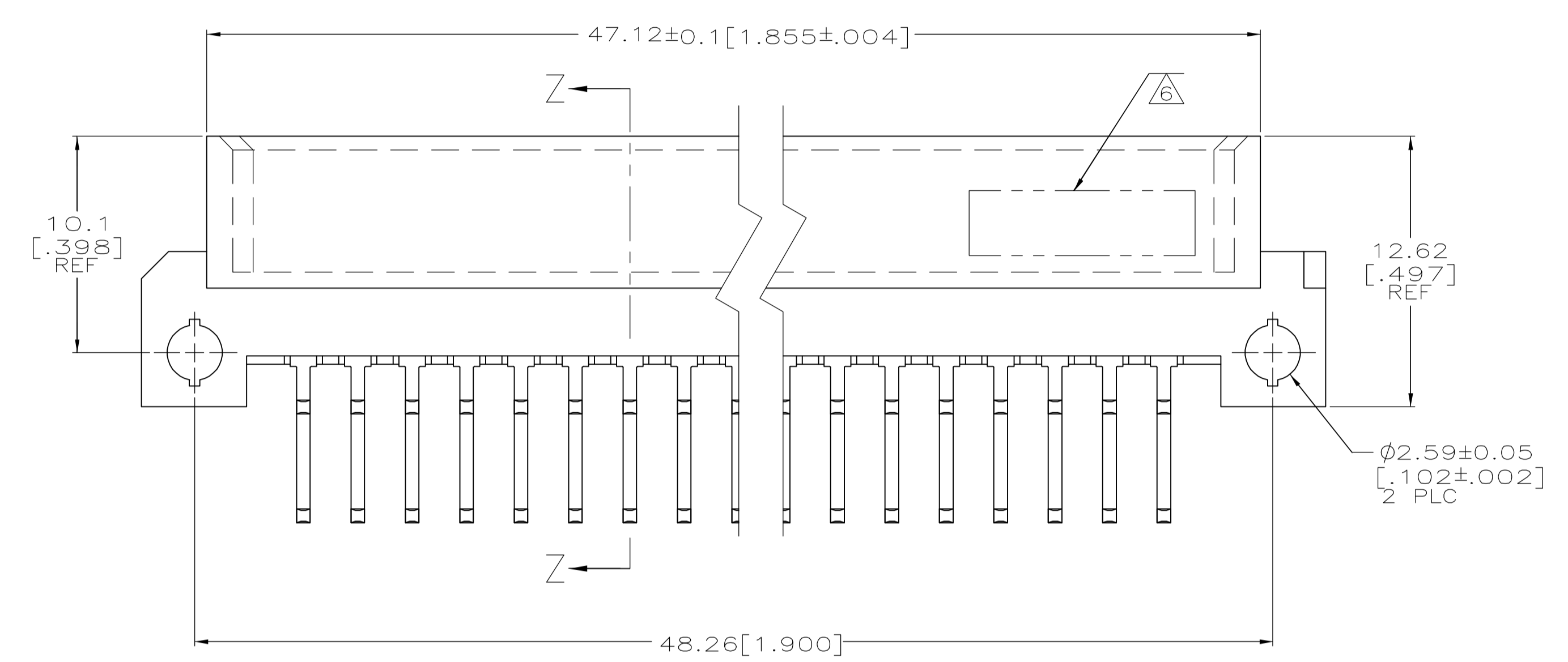
www.Jameco.com ♦ 1-800-831-4242

The content and copyrights of the attached
material are the property of its owner.

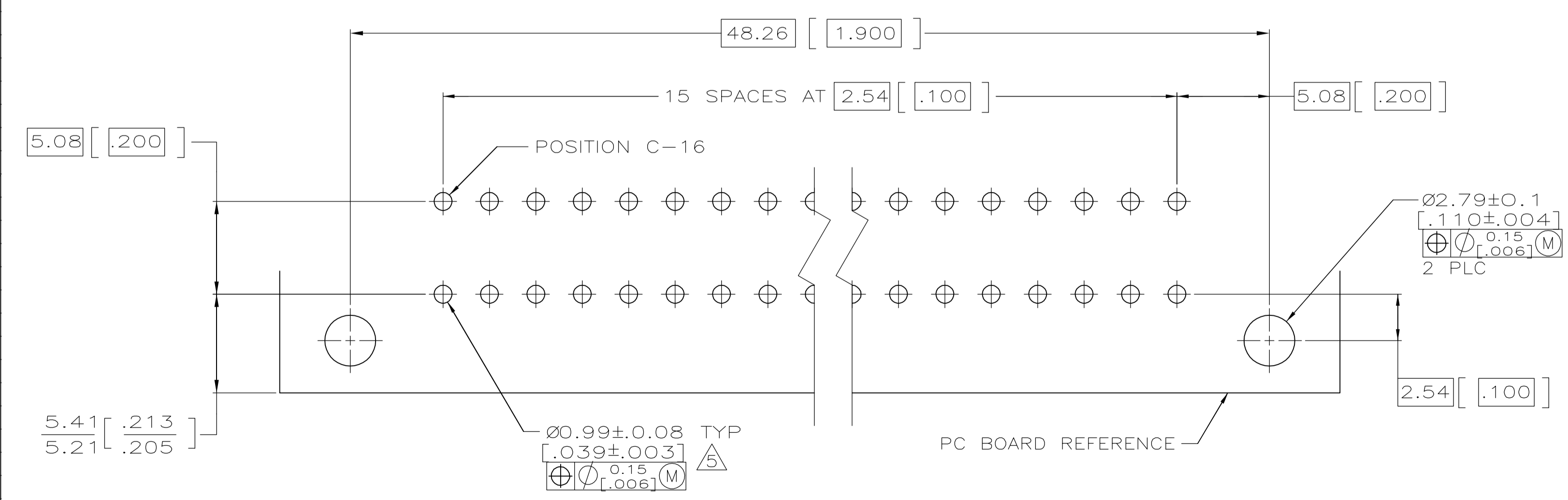
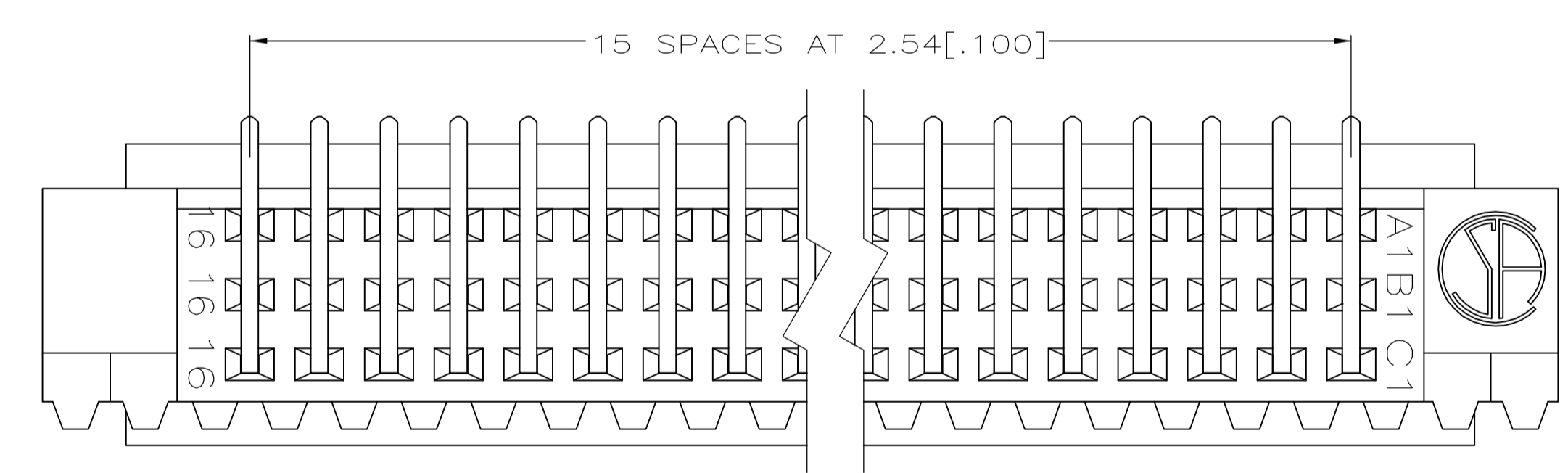
Jameco Part Number 859528



- ① HOUSING MATERIAL: GLASS-FILLED POLYESTER. COLOR: GRAY.
- ② POST MATERIAL: BRASS.
- ③ POST FINISH: DIN 41612 CLASS 3 IN CONTACT AREA. TIN-LEAD PLATE ON POSTS.
- ④ POST FINISH: DIN 41612 CLASS 2 IN CONTACT AREA. TIN-LEAD PLATE ON POSTS.
- ⑤ RECOMMENDED HOLE SIZE FOR MANUAL APPLICATION OF CONNECTOR ONTO PC BOARD.
- ⑥ [PART NUMBER, DATE CODE] MARKED THIS APPROXIMATE AREA.
- ⑦ MARKING ON THIS SIDE.
- ⑧ POST FINISH: DIN 41612 CLASS 2 IN CONTACT AREA. TIN PLATE ON POSTS.



SECTION Z-Z



PC BOARD LAYOUT

OBSELETE	⑧	1-16	X	-	X	32	7-650946-5
SUPERSEDED BY 650946-5	③	1-16	X	-	X	32	650946-9
	④	1-16	X	-	X	32	650946-5
NOTES		POSITIONS LOADED				ROWS LOADED	NO. OF LOADED POSITION
							ASSY PART NUMBER

THIS DRAWING IS A CONTROLLED DOCUMENT.		DIN	L. BRINER	3/20/91	Tyco Electronics Corporation	
DIMENSIONS: mm		CHK	D.C. RUBENDALL	3/22/91	Harrisburg, PA 17105-3608	
TOLERANCES UNLESS OTHERWISE SPECIFIED:		APVD	D. RUBENDALL	5/26/92	NAME	
0 PLC ± -		PRODUCT SPEC		PIN ASSEMBLY, EUROCARD, TYPE 1/2C		
1 PLC ± -		APPLICATION SPEC		SIZE		
2 PLC ± -				CAGE CODE		
3 PLC ± 0.13 [.005]				DRAWING NO		
4 PLC ± -				RESTRICTED TO		
ANGLES ± -				WEIGHT		
FINISH				A1 00779 C=650946		
MATERIAL				CUSTOMER DRAWING		
SCALE		5:1		SHEET 1 OF 1		
REV		J				