

Distributed by:

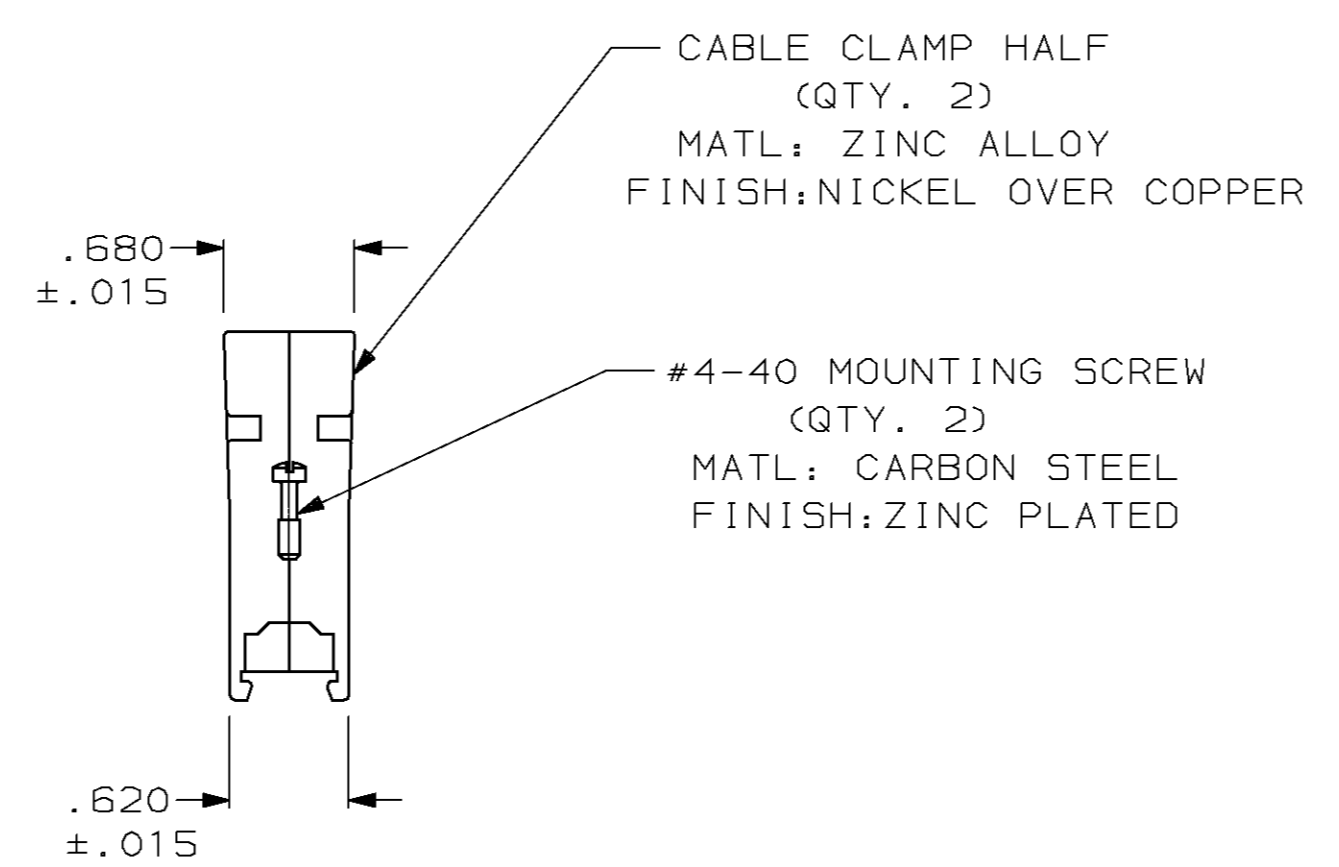
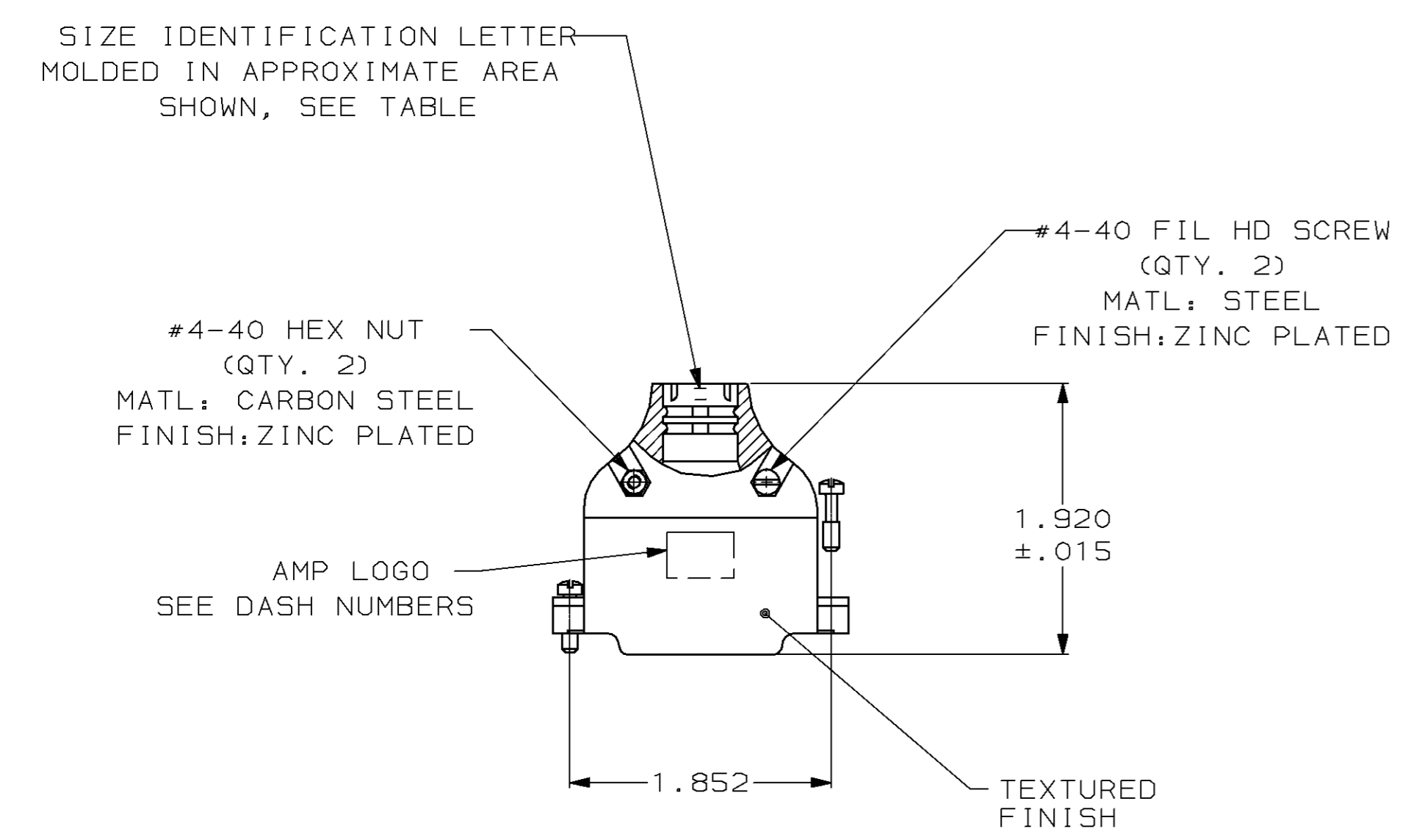
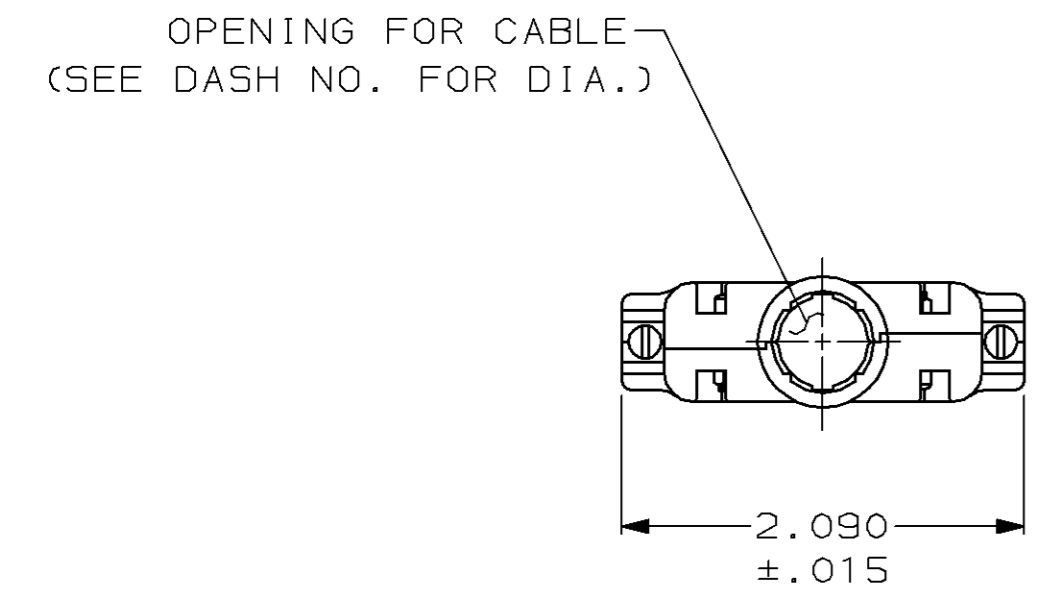
JAMECO[®]
ELECTRONICS

www.Jameco.com ♦ 1-800-831-4242

The content and copyrights of the attached
material are the property of its owner.

Jameco Part Number 861003

LOC		DIST		P		ZONE		LTR		REVISIONS		
BD	48									DESCRIPTION	DATE	APPD
									F	REDRAWN	6/28/90	-
									G	OBS -19 PER EC 0020-1534-93	04/14/94	PR
									H	REV PER EC 0020-309-95	05/04/95	JS
									J	REV PER EC 0020-881-95	25 AUG 95	JS
									K	OBSOLETED -11, -13 PER EC 0020-780-95	06 FEB 96	CS



- PARTS PACKAGED UNASSEMBLED.
- WITH ALL HARDWARE.
- WITHOUT MOUNTING SCREWS.
- PARTS PACKAGED AS A UNIT KIT.
- PARTS INDIVIDUALLY BULK PACKED AND SHIPPED AS A UNIT PACKAGE.

PACKAGING	NECK SIZE IDENT	AMP LOGO	CABLE HARDWARE DIA	MAX CABLE DIA	PART NO.
5		W/O LOGO	2	.280	3-745173-6
5		W/O LOGO	2	.280	3-745173-5
5		W/O LOGO	3	.350	3-745173-4
5		W/O LOGO	3	.430	3-745173-3
5		W/O LOGO	3	.480	3-745173-2
5		W/O LOGO	3	.530	3-745173-1
5		W/LOGO	3	.280	3-745173-0
5		W/LOGO	3	.350	2-745173-9
5		W/LOGO	3	.430	2-745173-8
5		W/LOGO	3	.480	2-745173-7
5		W/LOGO	3	.530	2-745173-6
5		W/LOGO	2	.280	2-745173-5
5		W/LOGO	2	.350	2-745173-4
5		W/LOGO	2	.430	2-745173-3
5		W/LOGO	2	.480	2-745173-2
5		W/LOGO	2	.530	2-745173-1
4		W/O LOGO	3	.280	2-745173-0
4	G	W/O LOGO	3	.350	1-745173-9
4	K	W/O LOGO	3	.430	1-745173-8
4		W/O LOGO	3	.480	1-745173-7
4	P	W/O LOGO	3	.530	1-745173-6
4		W/LOGO	3	.280	1-745173-5
4		W/LOGO	3	.350	1-745173-4
4		W/LOGO	3	.430	1-745173-3
4		W/LOGO	3	.480	1-745173-2
4		W/LOGO	3	.530	1-745173-1
4		W/LOGO	2	.280	745173-5
4	G	W/LOGO	2	.350	745173-4
4	K	W/LOGO	2	.430	745173-3
4	M	W/LOGO	2	.480	745173-2
4	P	W/LOGO	2	.530	745173-1
OBSOLETE		W/LOGO	3	.280	1-745173-0
OBSOLETE	K	W/LOGO	3	.430	1-745173-3
OBSOLETE		W/LOGO	3	.480	1-745173-2
OBSOLETE	P	W/LOGO	3	.530	1-745173-1
OBSOLETE		W/O LOGO	2	.280	1-745173-0
OBSOLETE	D	W/LOGO	2	.280	745173-5
OBSOLETE	G	W/LOGO	2	.350	745173-4
OBSOLETE	K	W/LOGO	2	.430	745173-3
OBSOLETE	M	W/LOGO	2	.480	745173-2
OBSOLETE	P	W/LOGO	2	.530	745173-1

DO NOT SCALE PRINT. UNLESS SPECIFIED DIMENSIONS IN MILLIMETERS TOLERANCES ON: 2 PLC DEC ± - 3 PLC DEC ± .005 ANGLES ± -	DR 6/28/90 A. STAUB BG CHK 9-10-90 J. McCLINTON APPD 9-11-90 B. TAYLOR APPD 9-11-90 J. ASSINI	AMP INCORPORATED Harrisburg, Pa. 17105	
SEE CALLOUTS	PRODUCT SPEC	NAME CABLE CLAMP KIT, SIZE 3, 180° AMPLIMITE™	
FINISH SEE CALLOUTS	APPLICATION SPEC	SIZE D 00779	DRAWING NO 745173
WEIGHT		SCALE 1:1	SHEET 1 OF 1