

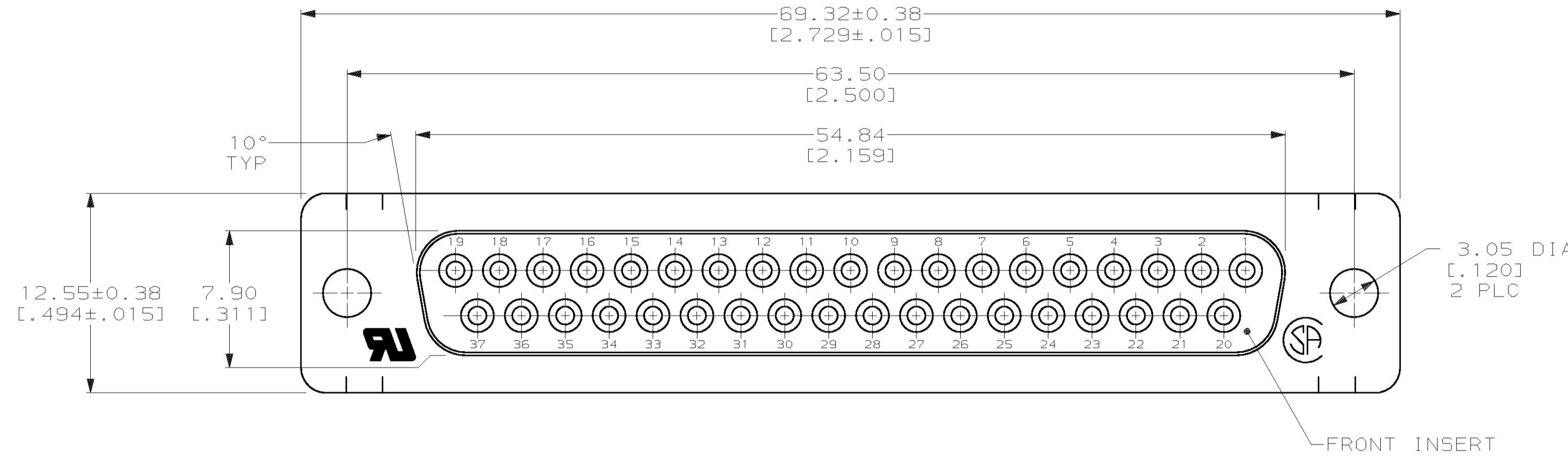
Distributed by:

JAMECO[®]
ELECTRONICS

www.Jameco.com ♦ 1-800-831-4242

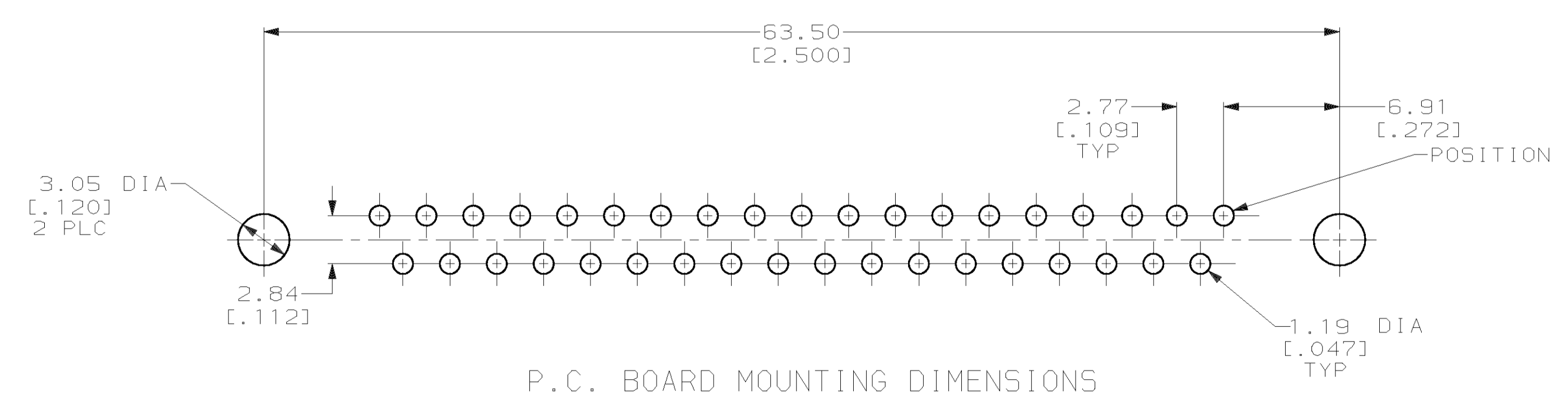
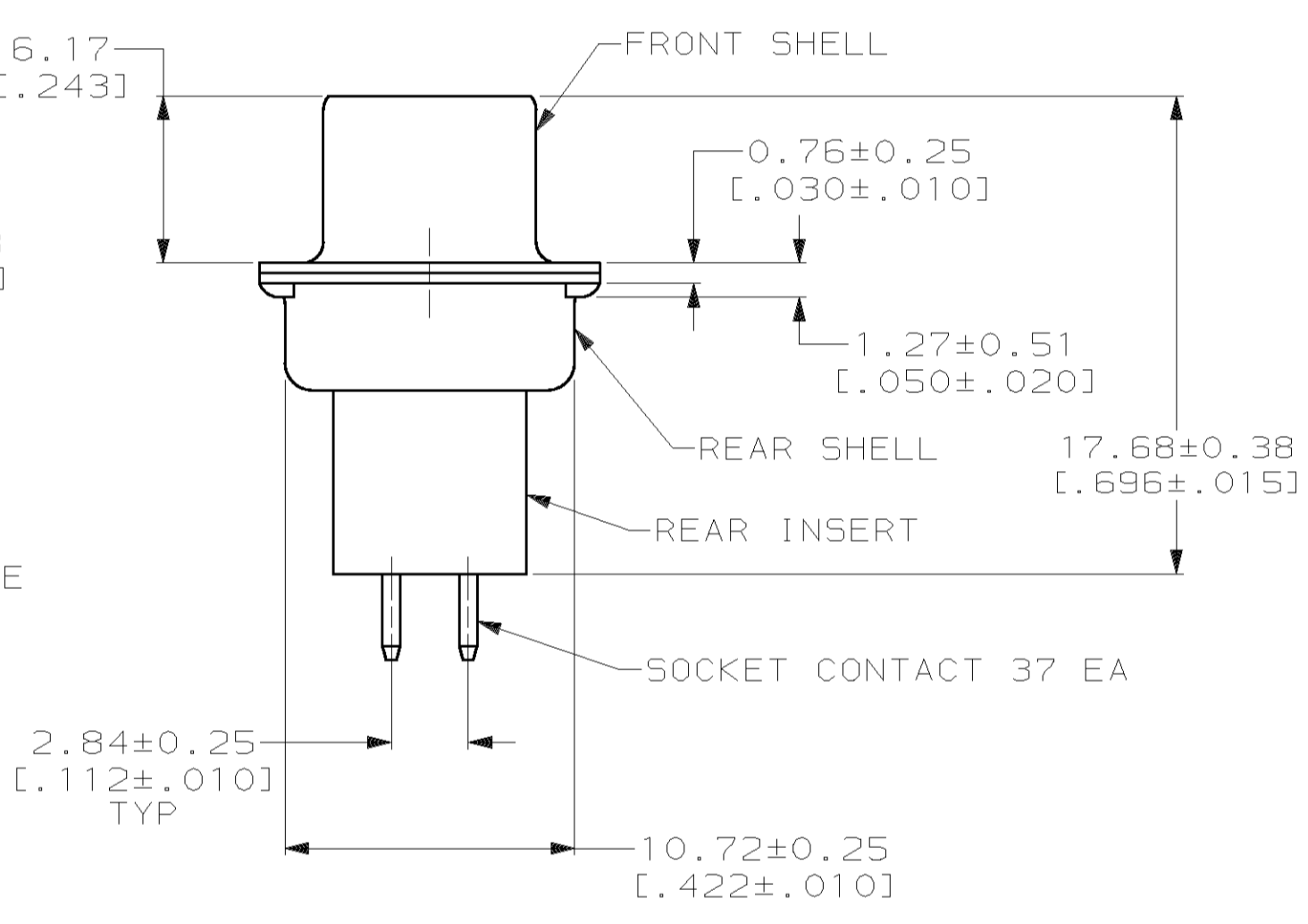
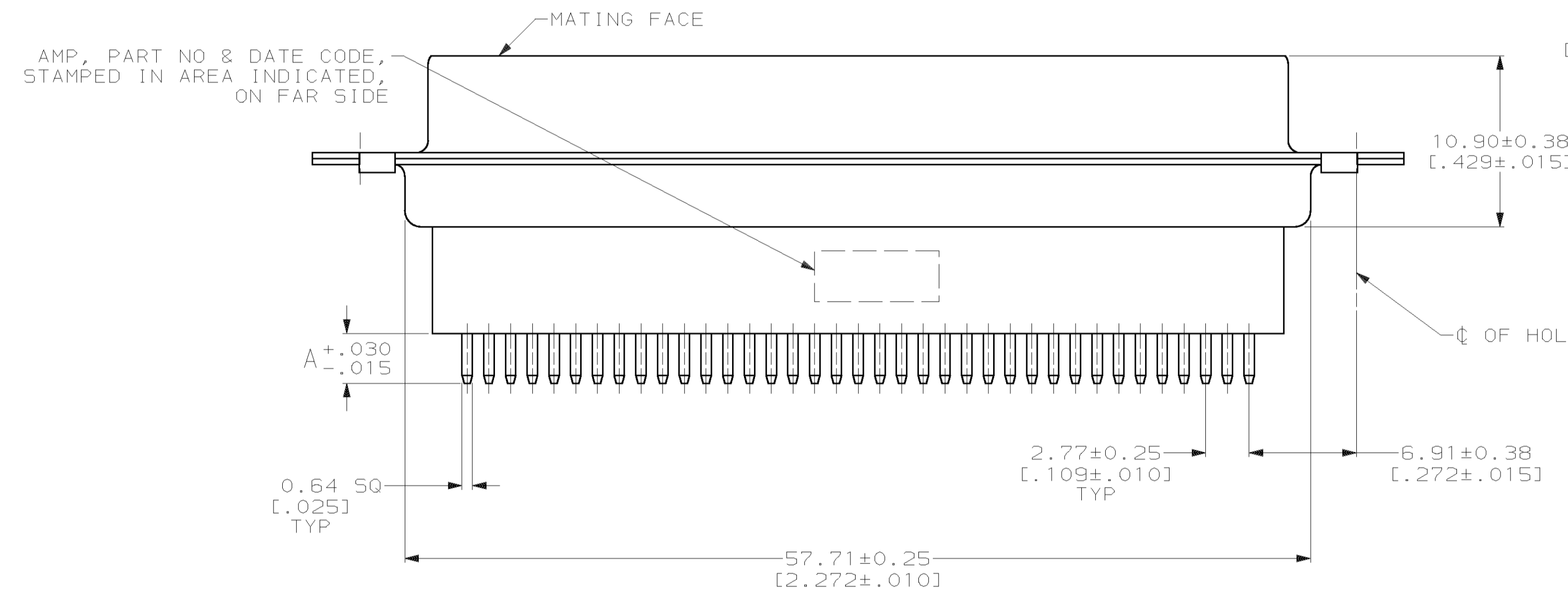
The content and copyrights of the attached
material are the property of its owner.

Jameco Part Number 861610



⚠ MOLDED PARTS: FLAME RETARDANT 94V-0 RATED THERMOPLASTIC; BLACK.
 SHELLS: CARBON STEEL PER ASTM A109.
 CONTACTS: PH05 BRONZE PER QQ-B-750.

⚠ TIN PLATING PER MIL-T-10727, GOLD PLATING PER MIL-G-45204,
 NICKEL PLATING PER QQ-N-290.
 SHELLS: TIN PLATED.
 CONTACTS: MIN GOLD (SEE TABLE) ON MATING SOLDER END, 2.54µm [0.000100] MIN TIN-LEAD ON SOLDER END, 1.27µm [0.000050] MIN NICKEL ALL OVER.



| | | | |
|-------------------|-------------------|---------------|-------------|
| SUPSD BY 745189-7 | FLASH | 4.78 [0.188] | 745189-8 |
| | 0.76µm [0.000030] | 4.78 [0.188] | 745189-7 |
| OBSOLETE | - | - | 745189-6 |
| SUPSD BY 205713-5 | - | - | 745189-5 |
| SUPSD BY 745189-3 | - | - | 745189-4 |
| SUPSD BY 745189-7 | 0.76µm [0.000030] | 10.85 [0.427] | 745189-3 |
| SUPSD BY 745189-1 | - | - | 745189-2 |
| | 0.76µm [0.000030] | 3.18 [0.125] | 745189-1 |
| | GOLD FINISH | A | PART NUMBER |

| | | | |
|---|--------------------------|---|---|
| <small>THIS DRAWING IS A CONTROLLED DOCUMENT FOR AMP INCORPORATED. IT IS SUBJECT TO CHANGE AND THE CONTROLLING ENGINEERING DEPARTMENT SHALL BE CONTACTED FOR THE LATEST REVISION.</small> | | DWN: C. REIFSNYDER 07 AUG 95 CHK: R. STONE 23 AUG 95 APP'D: R. TAYLOR 23 AUG 95 | AMP AMP Incorporated Harrisburg, PA 17105-3608 |
| DIMENSIONS: mm (INCHES) TOLERANCES UNLESS OTHERWISE SPECIFIED: 0 PLC ±- 1 PLC ±- 2 PLC ±0.13 (0.005) 3 PLC ±- 4 PLC ±- ANGLES 90° | MATERIAL: ⚠ FINISH: ⚠ | NAME: RECEPTACLE ASSY, SIZE 4, 37 POS, VERTICAL, AMPLIMITE™ HDP APPLICATION SPEC: 108-40005 SIZE: A1 WEIGHT: - CUSTOMER DRAWING | DRAWING NO: 745189 SCALE: 4:1 SHEET 1 OF 1 REV J |