

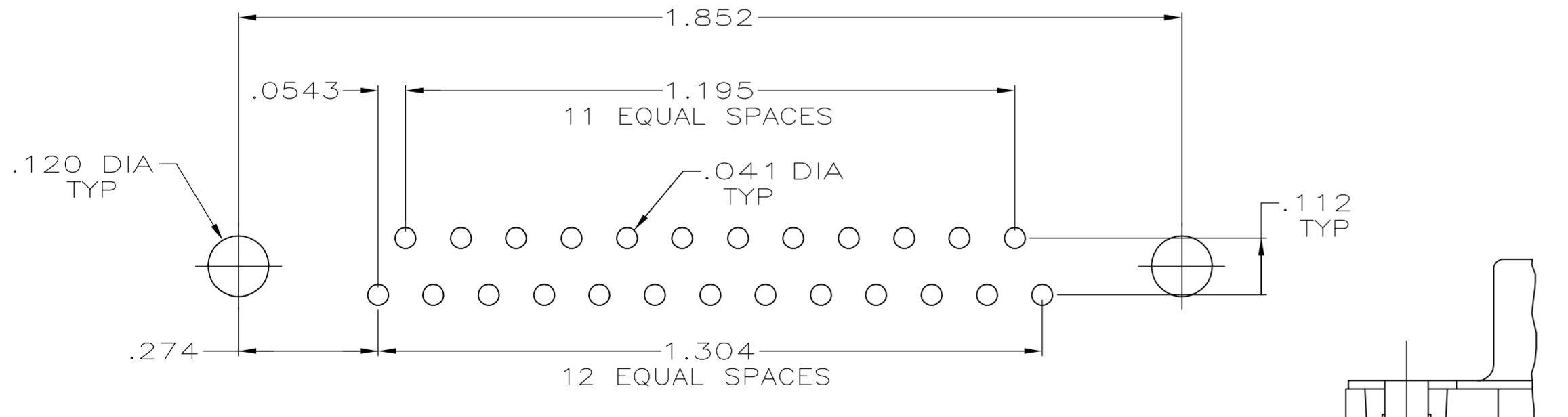
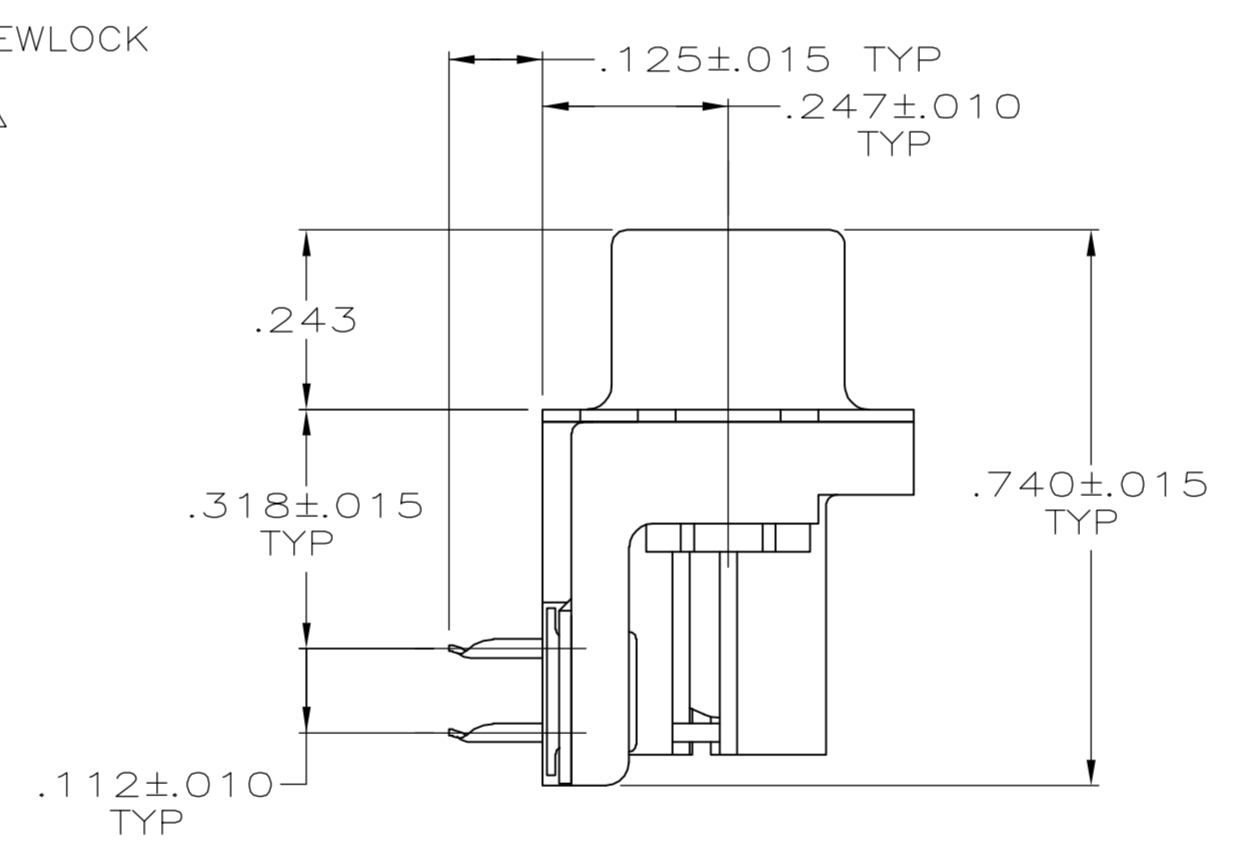
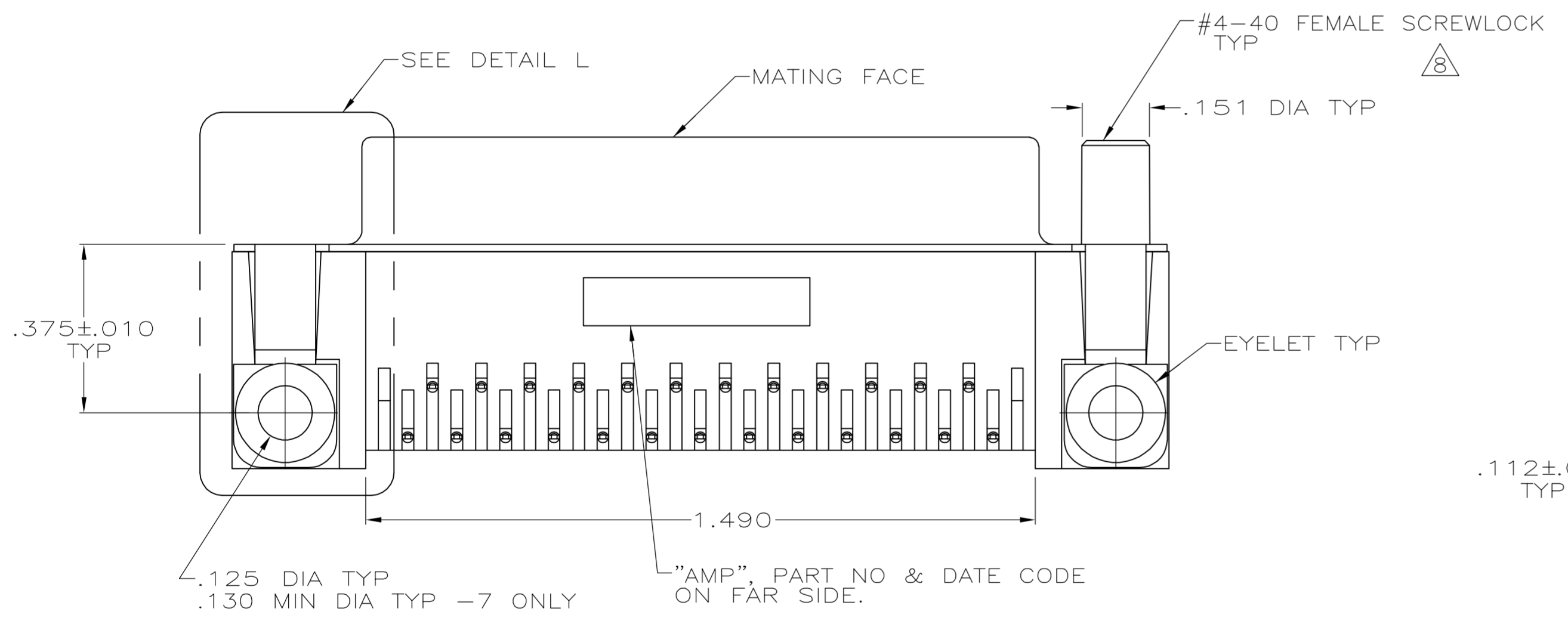
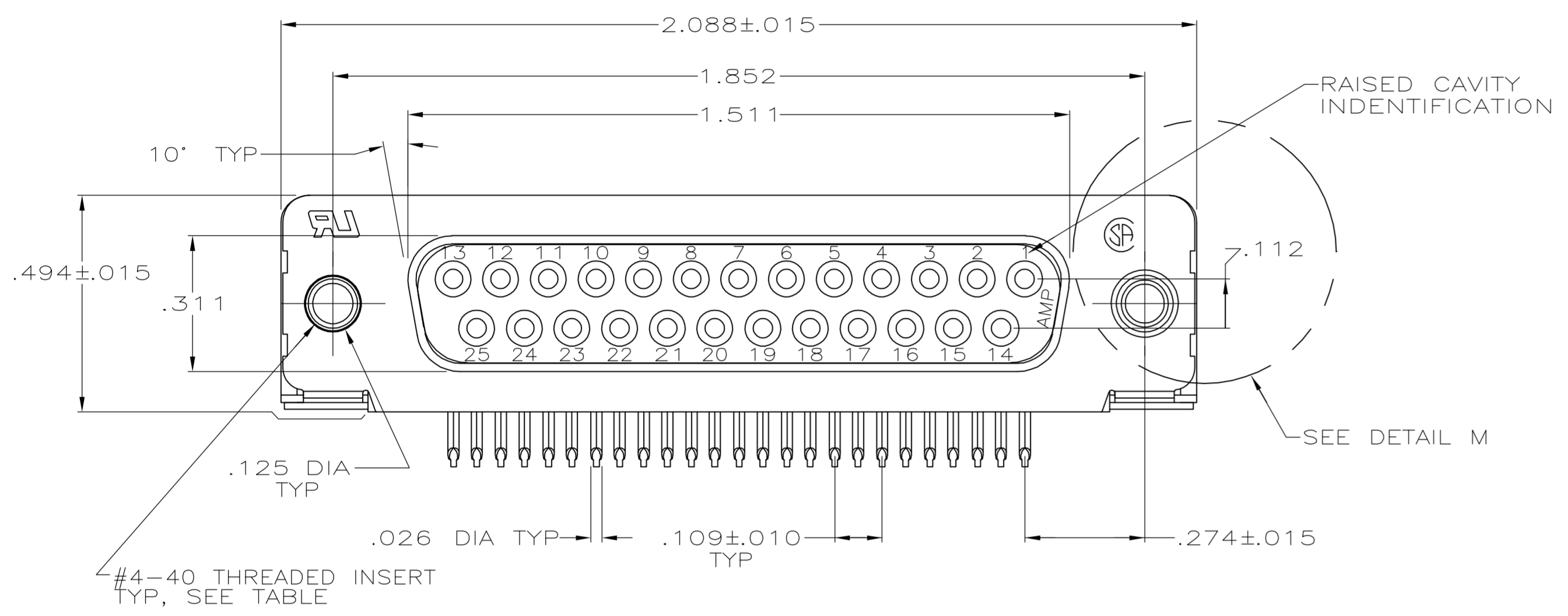
Distributed by:

JAMECO[®]
ELECTRONICS

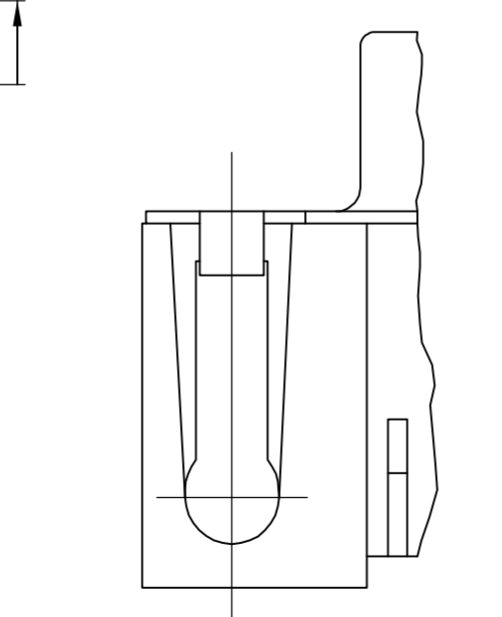
www.Jameco.com ♦ 1-800-831-4242

The content and copyrights of the attached
material are the property of its owner.

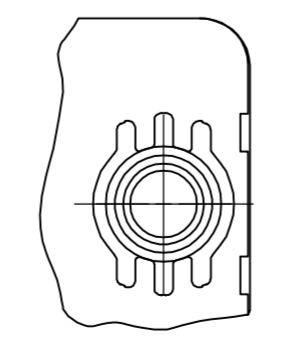
Jameco Part Number 862671



RECOMMENDED P.C. BOARD MOUNTING DIMENSIONS



DETAIL L
TYP BOTH ENDS



DETAIL M
FOR -5, -6, -7, 1--2
& 1--3 ONLY

1. CONNECTOR MATES WITH ANY 25 POSN PLUG IN AMPLIMITE™ SERIES & COMPLIES WITH AMP SPEC 108-40005 WHERE APPLICABLE.
2. MOLDED PARTS: FLAME RETARDANT 94V-0 RATED THERMOPLASTIC, BLACK.
SHELL: STEEL PER ASTM A109
CONTACTS: PHOSPHOR BRONZE PER QQ-B-750
EYELETS: BRASS
SCREWLOCKS: ZINC
INSERTS: ZINC
3. SHELL: TIN PLATED
CONTACTS: SEE TABLE
EYELETS: TIN PLATED
SCREWLOCKS: CLEAR CHROMATE
INSERTS: CLEAR CHROMATE
4. GOLD PLATING PER MIL-G-45204, NICKEL PLATING PER QQ-N-290, TIN PER MIL-T-10727.
5. GOLD FLASH FOR A DISTANCE OF .100 MIN FROM MATING END, TIN PLATED .000100-.000200 ON OPPOSITE END, ALL OVER .000050 NICKEL.
6. .000030 GOLD FOR A DISTANCE OF .100 MIN FROM MATING END, TIN PLATED .000100-.000200 ON OPPOSITE END, ALL OVER .000050 NICKEL.
7. .000015 MIN GOLD FOR A DISTANCE OF .100 MIN FROM MATING END, TIN PLATED .000100-.000200 ON OPPOSITE END, ALL OVER .000030 NICKEL.
8. HEXAGONAL HEAD FEMALE SCREWLOCK (REMOVABLE), ASSEMBLED AND SUPPLIED FOR -7 ONLY; FOR USE ON A .060 PANEL REAR MOUNT APPLICATION.

OBSOLETE	NONE	GROUNDING STRAPS	7	1-745783-4
SUPSD BY 745783-6	FEMALE SCREWLOCKS	CLINCH TABS (SEE DETAIL L)	6	1-745783-3
OBSOLETE	FEMALE SCREWLOCKS	CLINCH TABS (SEE DETAIL L)	5	1-745783-2
SUPSD BY 745783-4	THREADED INSERTS	CLINCH TABS (SEE DETAIL L)	6	1-745783-1
OBSOLETE	THREADED INSERTS	CLINCH TABS (SEE DETAIL L)	5	1-745783-0
SUPSD BY 745783-2	NONE	CLINCH TABS (SEE DETAIL L)	6	745783-9
OBSOLETE	NONE	CLINCH TABS (SEE DETAIL L)	5	745783-8
OBSOLETE	FEMALE SCREWLOCKS	GROUNDING STRAPS	7	745783-7
	FEMALE SCREWLOCKS	GROUNDING STRAPS	6	745783-6
	FEMALE SCREWLOCKS	GROUNDING STRAPS	5	745783-5
	THREADED INSERTS	GROUNDING STRAPS	6	745783-4
	THREADED INSERTS	GROUNDING STRAPS	5	745783-3
OBSOLETE	NONE	GROUNDING STRAPS	6	745783-2
SUPSD BY 745783-2	NONE	GROUNDING STRAPS	5	745783-1
MOUNTING HARDWARE		SHELL VERSION	CONTACT FINISH	PART NUMBER

THIS DRAWING IS A CONTROLLED DOCUMENT.

DIMENSIONS: INCHES	TOLERANCES UNLESS OTHERWISE SPECIFIED:	APVD	NAME
0 PLC ± .005	1 PLC ± .005	1-23-91	J. GALLUCCI
2 PLC ± .005	3 PLC ± .005	4-26-91	R. STONE
4 PLC ± .005	ANGLES ± .005		
MATERIAL	FINISH	SIZE	CAGE CODE
		A1	00779

Customer Drawing

SCALE: 4:1 SHEET 1 OF 1 REV. AC

tyco Electronics
 Tyco Electronics Corporation
 Harrisburg, PA 17105-3608

RCPT ASSY, SIZE 3, 25 POSN, RTANG, AMPLIMITE HD-20, WITH METAL SHELL WITH OR WITHOUT SCREWLOCKS OR INSERTS