

Distributed by:

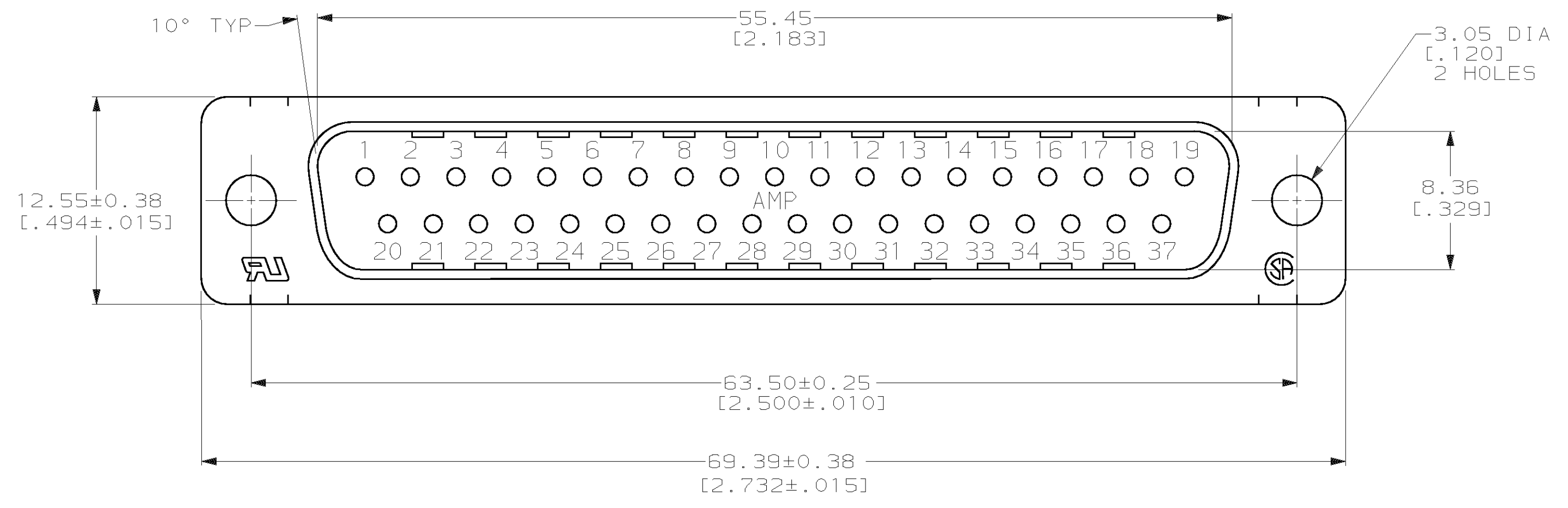
JAMECO[®]
ELECTRONICS

www.Jameco.com ♦ 1-800-831-4242

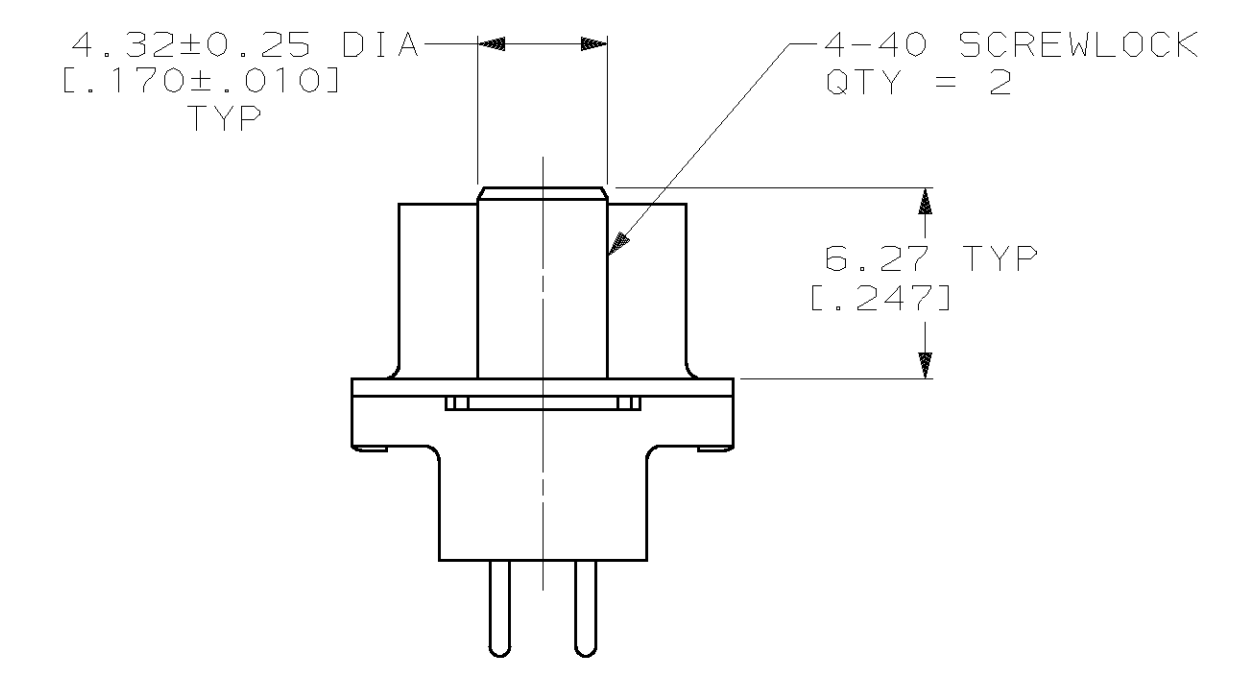
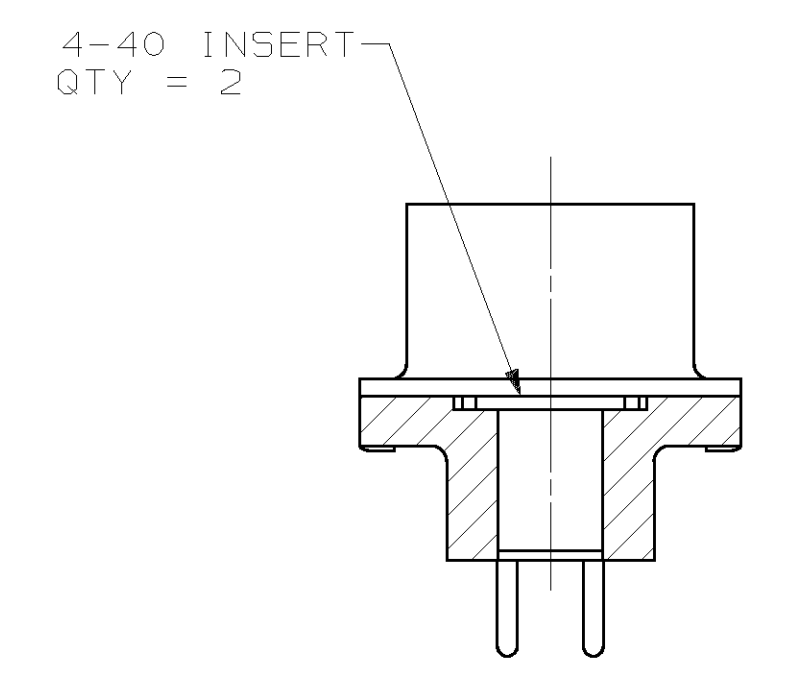
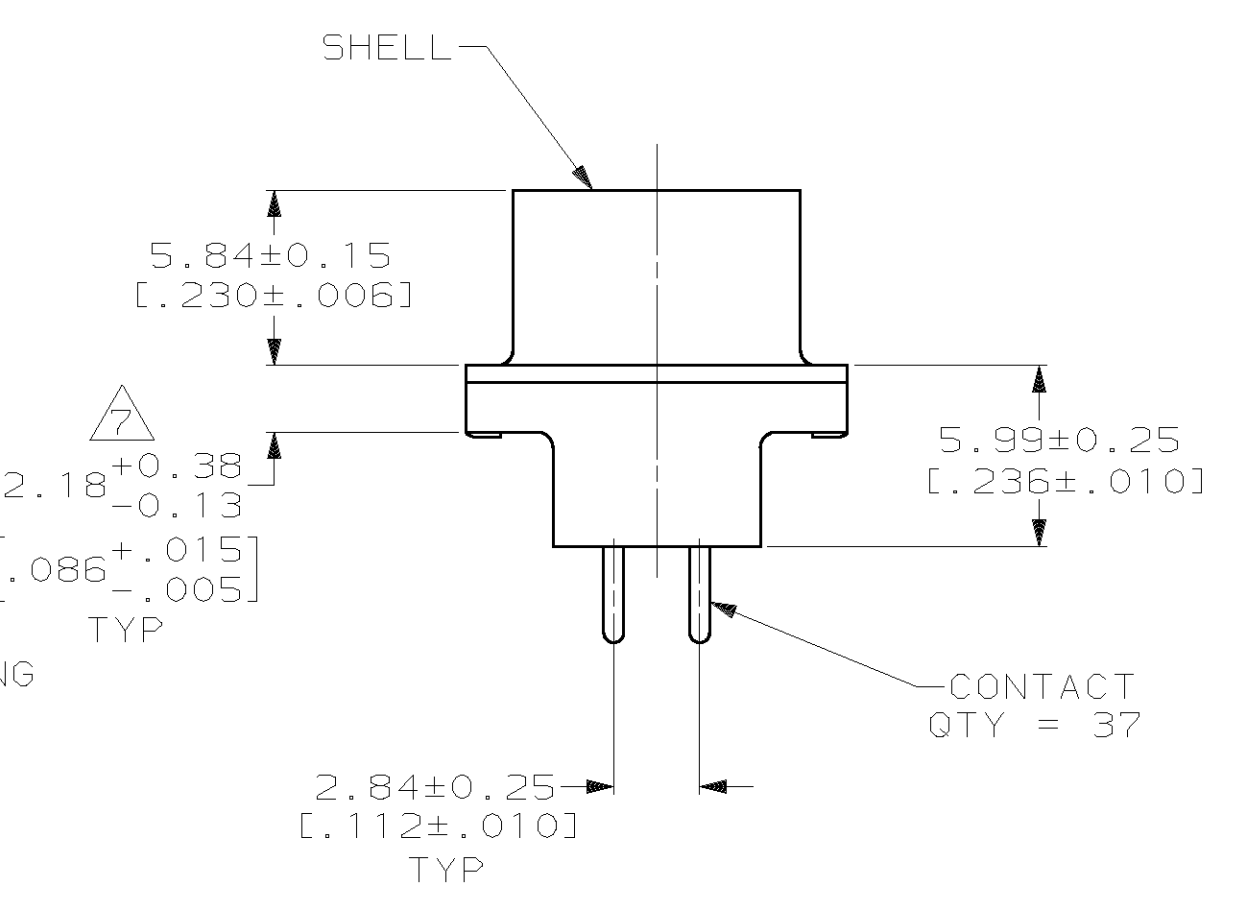
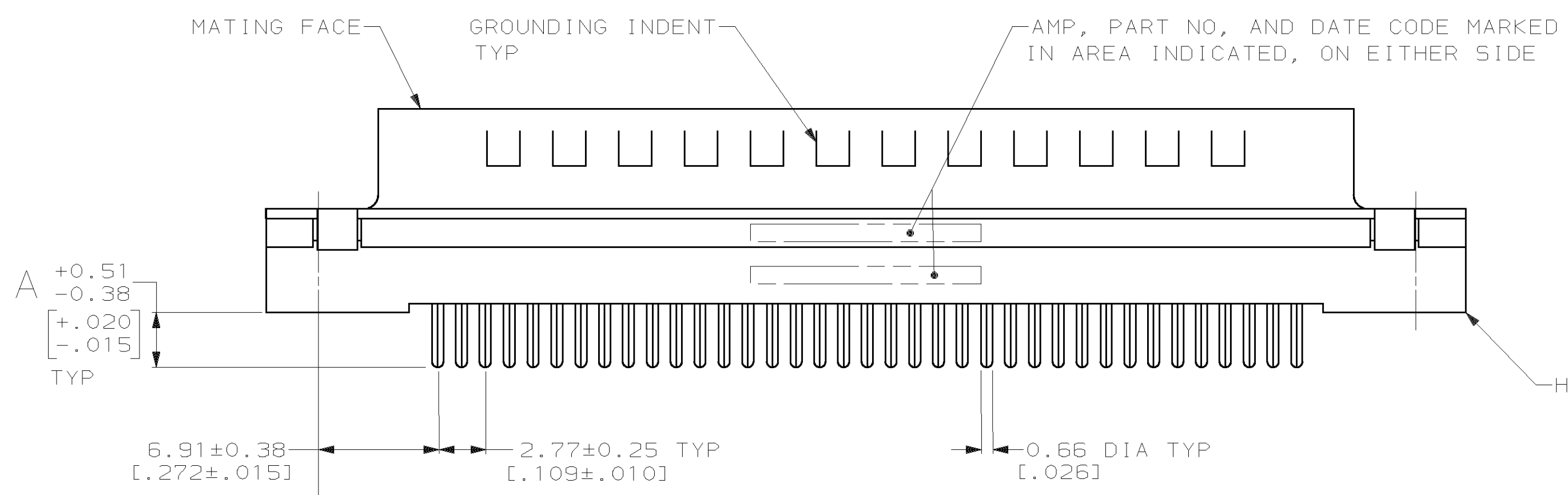
The content and copyrights of the attached
material are the property of its owner.

Jameco Part Number 863711

LOC		DIST		P		F		ZONE		LTR		REVISIONS			
GP	00											DESCRIPTION	DATE	APPD	
												J	REVISED PER EC 0513-0460-02	07MAR03	JG

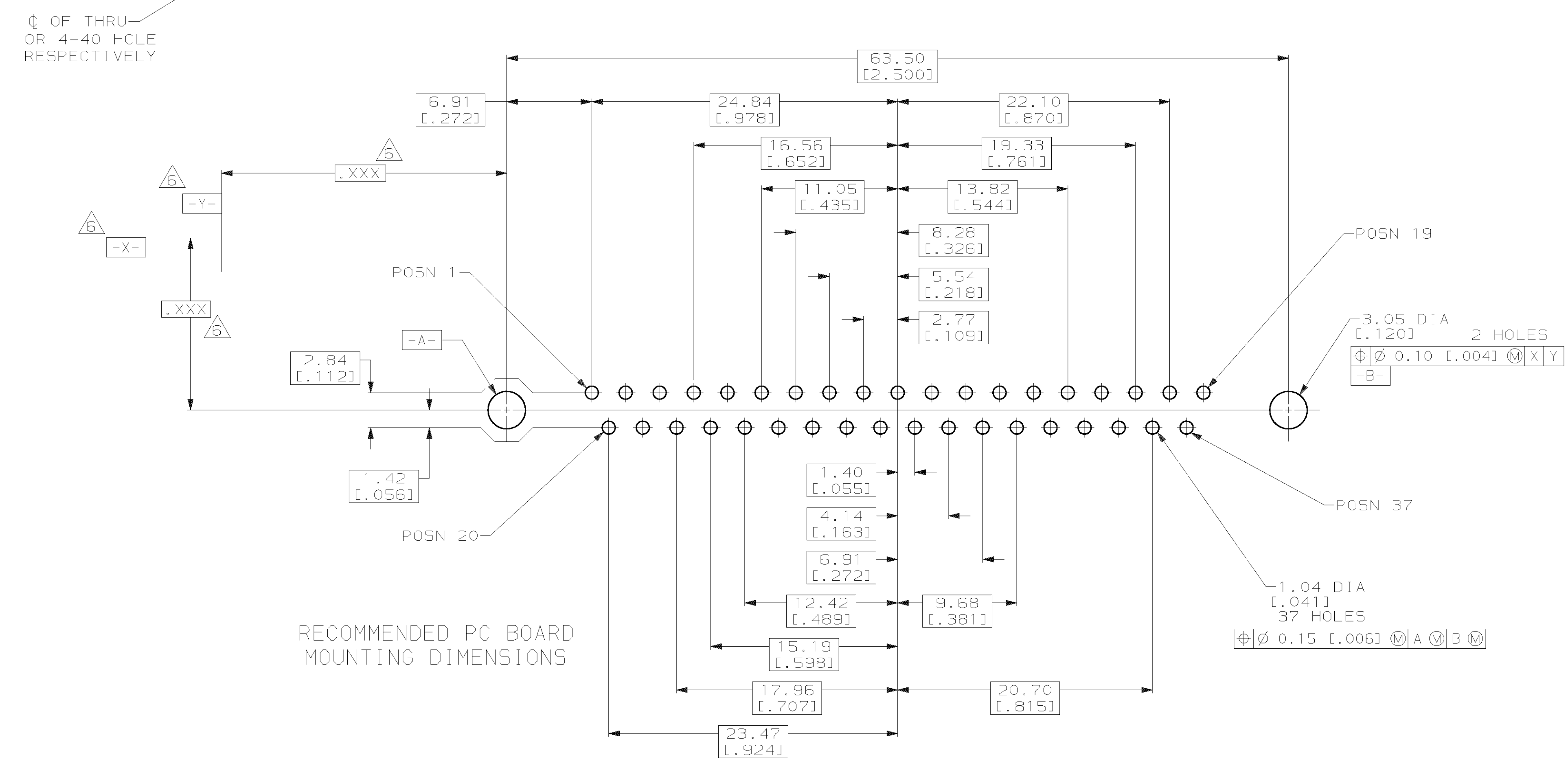


- ① HOUSING: BLACK POLYESTER, UL 94V-0 RATED; CONTACT: BRASS PER MIL-C-50, SHELL: CARBON STEEL PER ASTM A109; SCREWLOCK: ZINC; INSERT: BRASS.
- ② GOLD PLATING PER MIL-G-45204, TIN PLATING PER MIL-T-10727, NICKEL PLATING PER QQ-N-290, COPPER PLATING PER MIL-C-14550.
- ③ GOLD FLASH FOR A LENGTH OF 3.81 [0.150] MIN FROM MATING END, 2.54µm [0.000100] MIN TIN OR TIN-LEAD FOR A LENGTH OF DIMENSION A FROM OPPOSITE END, BOTH OVER 1.27µm [0.00050] MIN NICKEL.
- ④ GOLD PLATED FOR A LENGTH OF 3.81 [0.150] FROM MATING END, 0.76µm [0.00030] MIN GOLD IN MATED AREA, 2.54µm [0.000100] MIN TIN OR TIN-LEAD FOR A LENGTH OF DIMENSION A FROM OPPOSITE END, ALL OVER 1.27µm [0.00050] MIN NICKEL.
- ⑤ 5.08µm [0.000200] MIN TIN OVER 1.27µm [0.00050] MIN COPPER.
- ⑥ DATUMS AND BASIC DIMENSIONS ESTABLISHED BY CUSTOMERS.
- ⑦ 2.79 [0.110] MAX IN SHELL TAB CLINCH AREAS.



DETAIL D

DETAIL E



RECOMMENDED PC BOARD MOUNTING DIMENSIONS

	OBSOLETE	6.35 [0.250]	4-40 SCREWLOCK (DETAIL E)	④	1-747375-8
	OBSOLETE	6.35 [0.250]	4-40 SCREWLOCK (DETAIL E)	③	1-747375-7
	OBSOLETE	4.32 [0.170]	4-40 SCREWLOCK (DETAIL E)	④	1-747375-6
	OBSOLETE	4.32 [0.170]	4-40 SCREWLOCK (DETAIL E)	③	1-747375-5
	OBSOLETE	3.18 [0.125]	4-40 SCREWLOCK (DETAIL E)	④	1-747375-4
SUPSD BY	747375-8	3.18 [0.125]	4-40 SCREWLOCK (DETAIL E)	③	1-747375-3
	OBSOLETE	6.35 [0.250]	4-40 INSERT (DETAIL D)	④	1-747375-2
	OBSOLETE	6.35 [0.250]	4-40 INSERT (DETAIL D)	③	1-747375-1
SUPSD BY	747375-8	4.32 [0.170]	4-40 INSERT (DETAIL D)	④	1-747375-0
	OBSOLETE	4.32 [0.170]	4-40 INSERT (DETAIL D)	③	747375-9
		3.18 [0.125]	4-40 INSERT (DETAIL D)	④	747375-8
SUPSD BY	747375-8	3.18 [0.125]	4-40 INSERT (DETAIL D)	③	747375-7
	OBSOLETE	6.35 [0.250]	-	④	747375-6
	OBSOLETE	6.35 [0.250]	-	③	747375-5
	OBSOLETE	4.32 [0.170]	-	④	747375-4
	OBSOLETE	4.32 [0.170]	-	③	747375-3
		3.18 [0.125]	-	④	747375-2
	OBSOLETE	3.18 [0.125]	-	③	747375-1

		A	MOUNTING HARDWARE	CONTACT FINISH	PART NO
DO NOT SCALE PRINT. UNLESS SPECIFIED DIMENSIONS IN mm [INCHES]		DR 12/01/89 J. McCLINTON			
TOLERANCES ON:		CHK 02/01/90 R. STONE			
2 PLC DEC ± 0.13 [0.005]		APPD 02/02/90 S. SCHIEFERLY			
3 PLC DEC ± -		APPD 02/02/90 C. RÖHDE			
ANGLES ± 2°		PRODUCT SPEC 108-40025			
MATERIAL		APPLICATION SPEC 114-40023	SIZE D	CAGE CODE 00779	NAME PLUG ASSEMBLY, SIZE 4, 37 POSITION, VERTICAL, FRONT METAL SHELL, AMPLIMITE® HD-20
FINISH ②		WEIGHT	SCALE 4:1	DRAWING NO 747375	SHEET 1 OF 1
CONTACT: SEE TABLE					
SHELL: ③					