

Distributed by:

**JAMECO**<sup>®</sup>  
ELECTRONICS

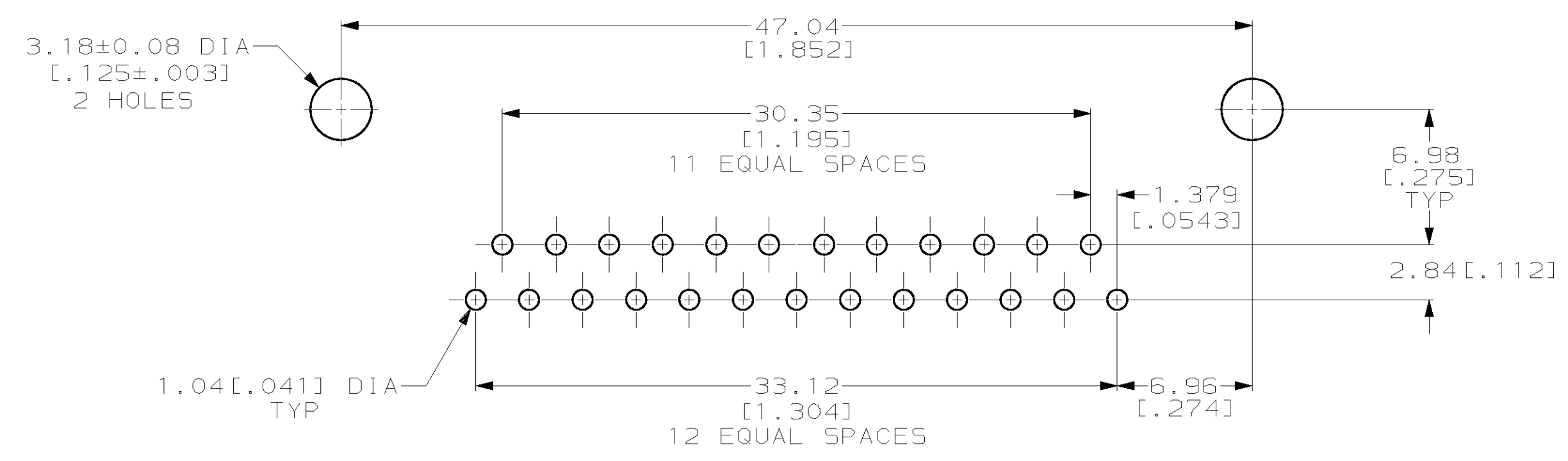
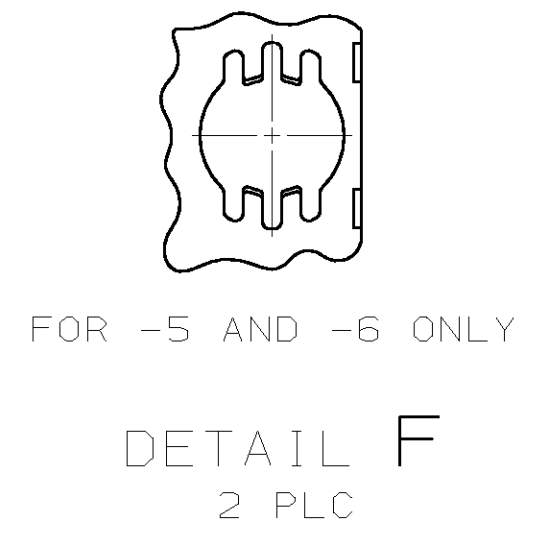
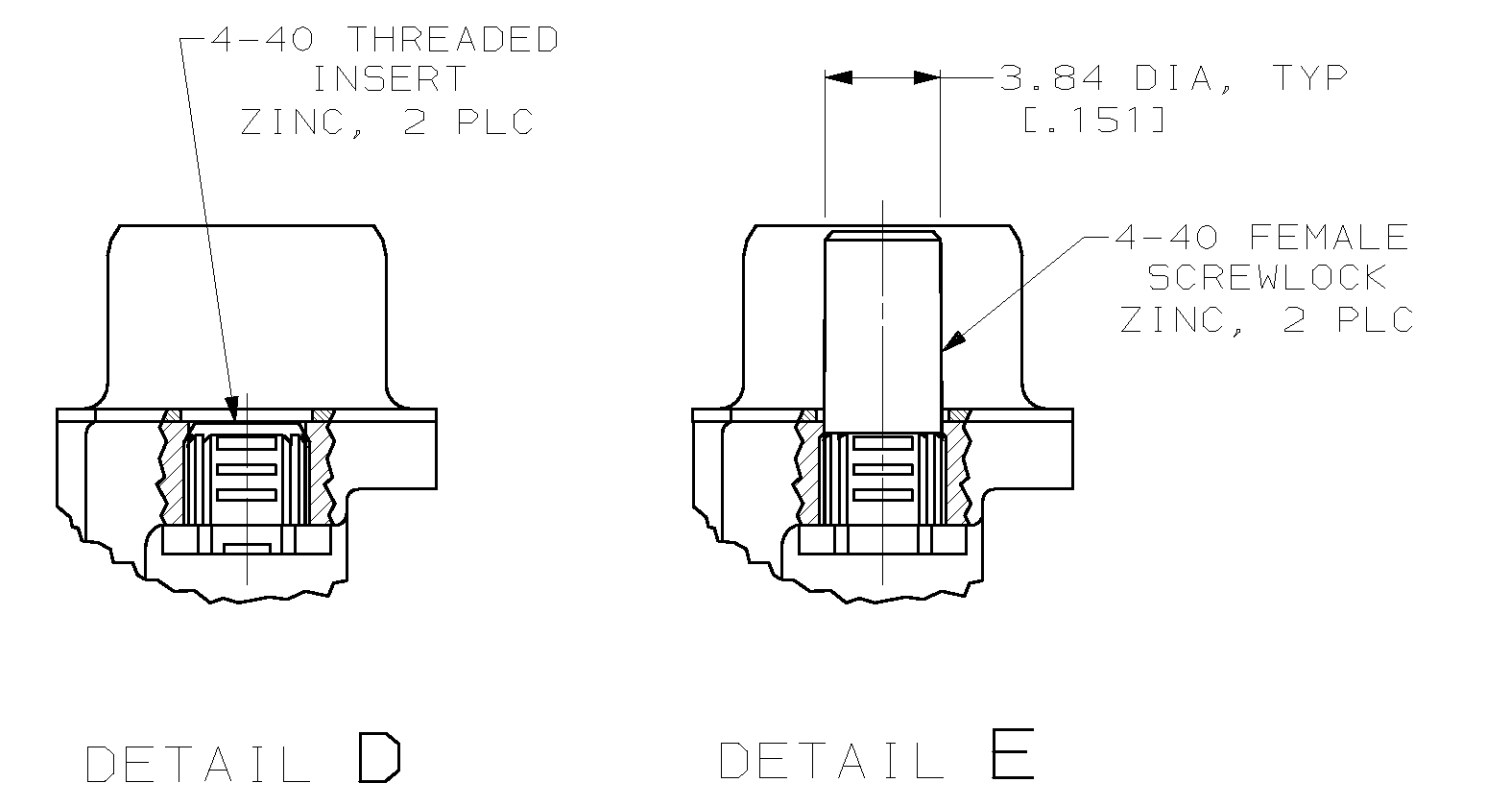
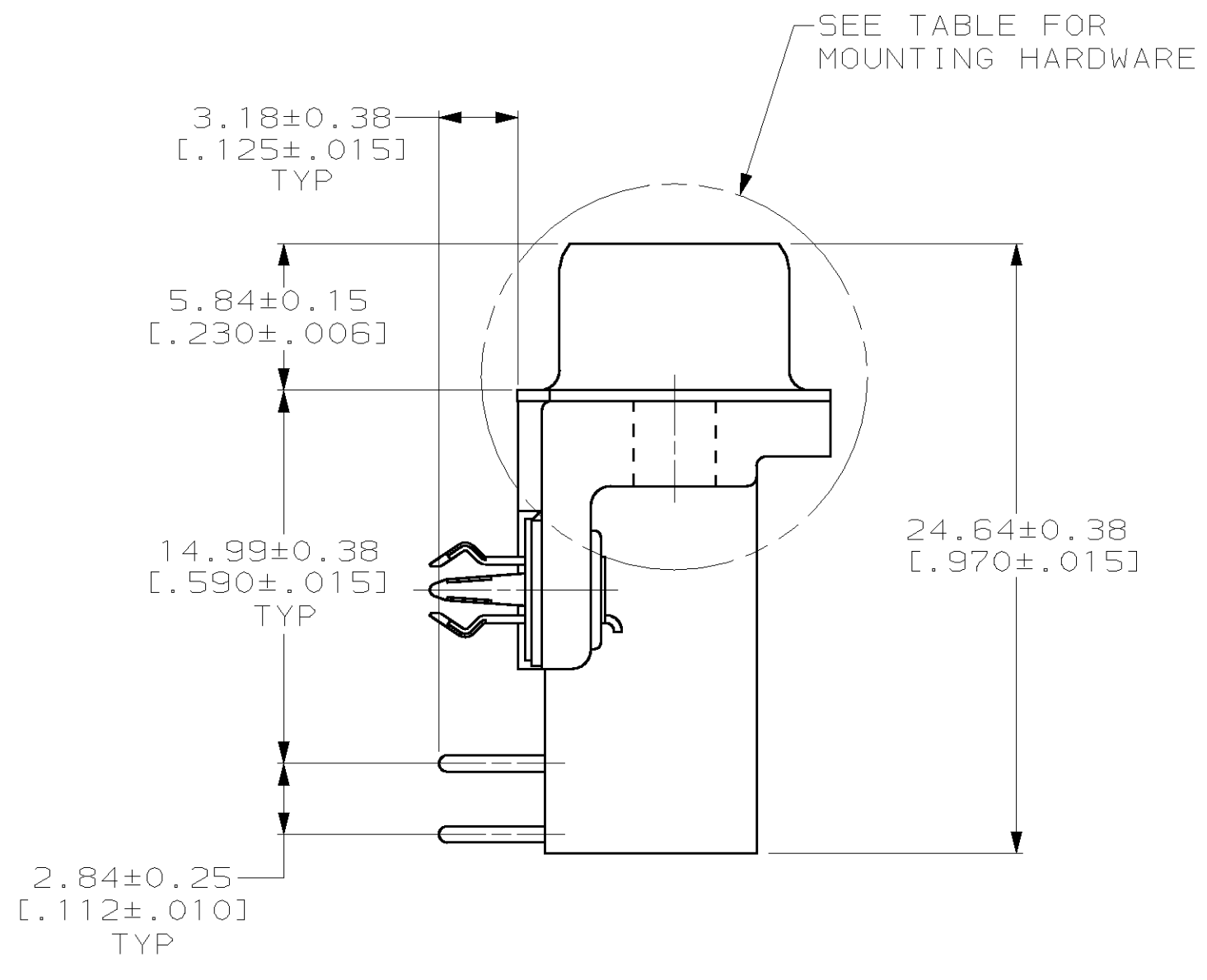
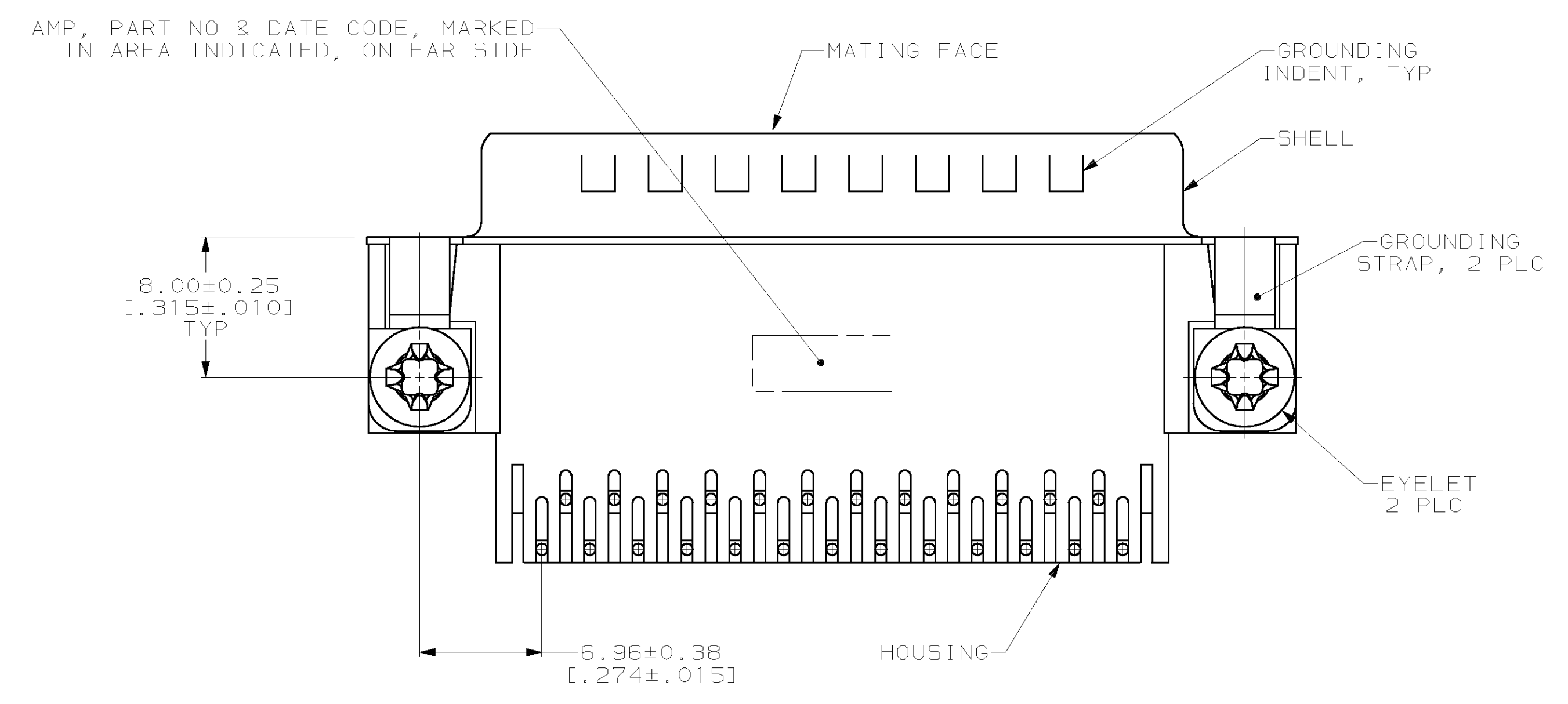
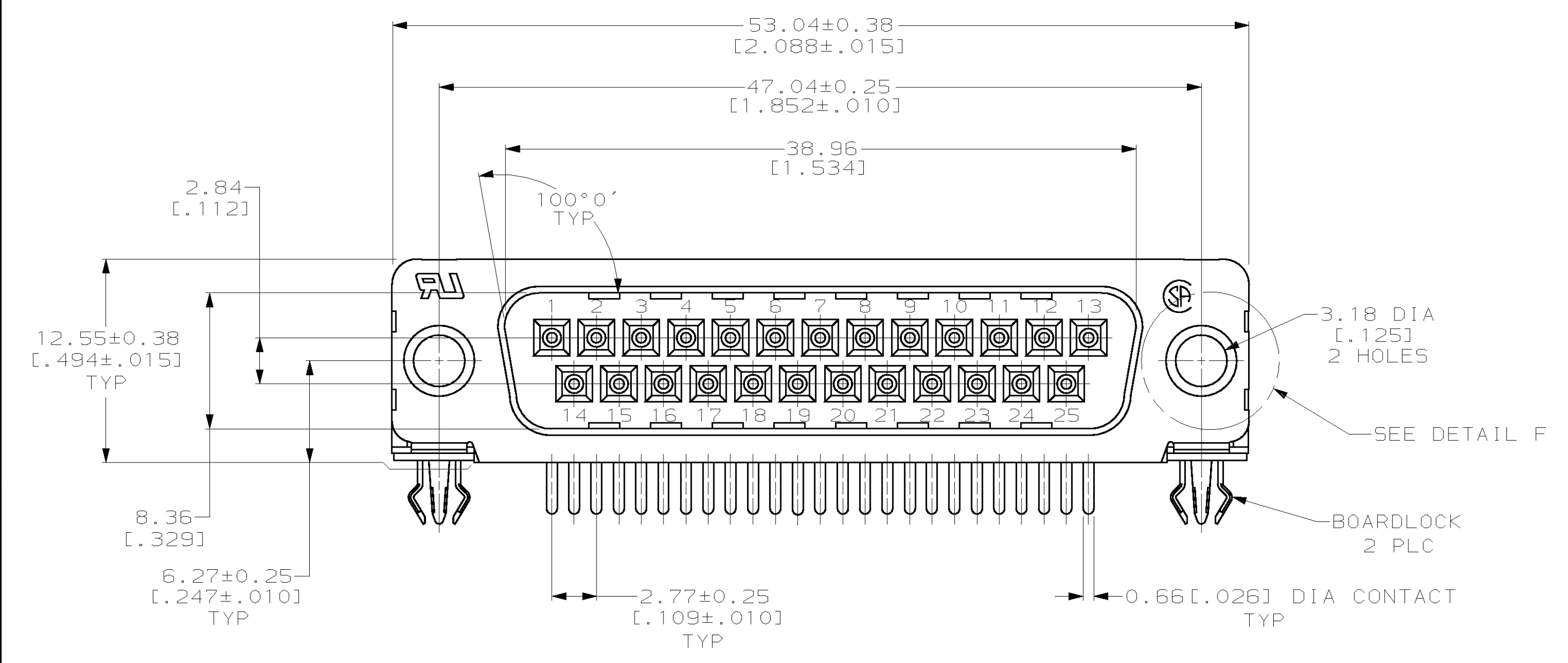
**www.Jameco.com ♦ 1-800-831-4242**

The content and copyrights of the attached  
material are the property of its owner.

Jameco Part Number 863826

LOC	DIST	REV	DATE	BY	APPV
GP	00	5	28MAY03	JG	CC

- REVISIONS
- 1 NYLON OR POLYESTER, FLAME RETARDANT, UL 94V-0 RATED, GLASS FILLED, BLACK.
  - 2 BRASS PER MIL-C-50.
  - 3 CARBON STEEL PER ASTM A109.
  - 4 EYELETS: BRASS; BOARDLOCKS: COPPER ALLOY.
  - 5 GOLD PLATING PER MIL-G-45204, NICKEL PLATING PER QQ-N-290, TIN PLATING PER MIL-T-10727; COPPER PLATING PER MIL-C-14550.
  - 6 2.54µm[.000100] MIN TIN OVER 1.27µm[.000050] MIN COPPER.
  - 7 5.08µm[.000200] MIN TIN OVER COPPER FLASH.
  - 8 GOLD FLASH FOR A LENGTH OF 3.81[.150] MIN FROM MATING END, 2.54µm[.000100] MIN TIN OR TIN-LEAD FOR A LENGTH OF 3.56[.140] MIN FROM OPPOSITE END, BOTH OVER 1.27µm[.000050] MIN NICKEL.
  - 9 GOLD PLATED FOR A LENGTH OF 3.81[.150] MIN FROM MATING END, 0.76µm[.000030] MIN GOLD IN MATED AREA, 2.54µm[.000100] MIN TIN OR TIN-LEAD FOR A LENGTH OF 3.56[.140] MIN FROM OPPOSITE END, BOTH OVER 1.27µm[.000050] MIN NICKEL.
  - 10 5.08µm[.000200] MIN TIN-LEAD OVER 1.27µm[.000050] MIN NICKEL.
  - 11 5.08µm[.000200] MIN TIN OVER 1.27µm[.000050] MIN NICKEL.



RECOMMENDED P.C. BOARD MOUNTING DIMENSIONS  
 P.C. BOARD THICKNESS: 1.57[.062]

SUPSD BY	SEE DETAIL	REV	DATE	PART NUMBER
747834-4	SEE DETAIL D	11	9	6-747834-7
	SEE DETAIL E	10	8	747834-6
747834-4	SEE DETAIL E	10	8	747834-5
747834-4	SEE DETAIL D	10	9	747834-4
747834-4	SEE DETAIL D	10	8	747834-3
OBSOLETE	-	10	9	747834-2
OBSOLETE	-	10	8	747834-1

MOUNTING HARDWARE		BOARDLOCK FINISH	CONTACT FINISH	PART NUMBER
SEE TABLE FOR MOUNTING HARDWARE				

THIS DRAWING IS A CONTROLLED DOCUMENT.		DWN W.G. LENKER 16-NOV-89	AMP Incorporated Harrisburg, PA 17105-3608
DIMENSIONS: mm [INCHES]		CHK R. STONE 05-FEB-90	NAME M.D. GALLOWAY 06-FEB-90
TOLERANCES UNLESS OTHERWISE SPECIFIED:		PRODUCT SPEC 108-40025	APPLICATION SPEC 114-40010
MATERIAL		SIZE A1	RESTRICTED TO CUSTOMER DRAWING
HOUSING, Δ		WEIGHT	SCALE 4:1
CONTACTS, Δ		REV	SHEET 1 OF 1
SHELL, Δ		REV	REV 5