

Distributed by:

JAMECO[®]
ELECTRONICS

www.Jameco.com ♦ 1-800-831-4242

The content and copyrights of the attached
material are the property of its owner.

Jameco Part Number 882509

FEATURES AND SPECIFICATIONS

Features and Benefits

- Pegs provide increased board retention
- Ideal for low profile power applications
- Positive housing locks to mate with Mini-Fit, Jr. single row receptacles 5557
- Fully isolated terminals to protect contacts from damage

Reference Information

Product Specification: PS-5556-0001
 Packaging: Tray or bag
 UL File No.: E29179
 CSA File No.: LR19980
 Mates With: [5557](#) single row receptacle
 TUV License No.: R75142
 Designed In: Millimeters

Electrical

Voltage: 600V

Current: (Used with 16 AWG)

Circuits	2-3	4-6	7-10	12-24
Amperes-Jr.	9	8	7	6
Amperes-HCS	12	11	10	9

Electrical (cont'd)

Contact Resistance: 10mΩ max.

Dielectric Withstanding Voltage: 1500V AC

Insulation Resistance: 1000 MΩ min.

Mechanical

Insertion Force to PCB: 49N (11.01 lb) max.

Mating Force: 6.9N (1.54 lb) max.

Unmating Force: 3.4N (0.7 lb) min.

Durability: 30 cycles

Physical

Housing: 6/6 nylon, UL 94V-2 or 94V-0

Contact: Brass

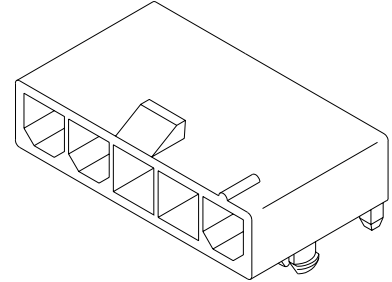
Plating: Tin, select Gold or overall Gold

Operating Temperature: -40 to +105°C

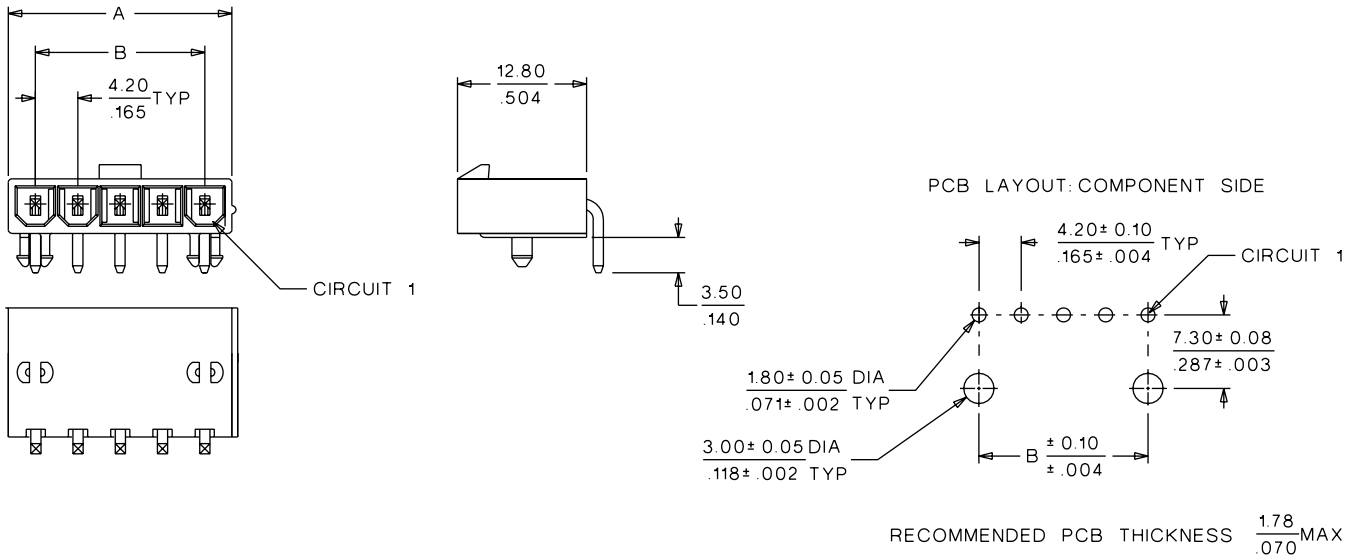
molex® 4.20mm (.165") Pitch Mini-Fit, Jr.™ Header

5569

Right Angle, Single Row With Pegs



CATALOG DRAWING (FOR REFERENCE ONLY)



ORDERING INFORMATION AND DIMENSIONS

Circuits	Order No.				Dimension	
	Tin Plated		Gold Plated		A	B
	94V-2	94V-0	94V-2	94V-0		
3	• 39-30-3035	• 39-30-3036	• 39-30-3037	• 39-30-3038	13.80 (.540)	8.40 (.331)
4	• 39-30-3045		• 39-30-3047		18.00 (.709)	12.60 (.496)
5	• 39-30-3055	• 39-30-3056	• 39-30-3057	• 39-30-3058	22.20 (.874)	16.80 (.661)

• US Standard Product, available through Molex franchised distributors



PRODUCT SPECIFICATION

MINI-FIT JR.

1.0 SCOPE

This Product Specification covers performance requirements for the MINI-FIT JR. 4.20 mm (.165 inch) centerline (pitch) printed circuit board (PCB) connector series with Tin or Gold plating, and The MINI-FIT JR. connector series terminated with 16 to 28 AWG wire using Crimp technology with Tin or Gold plating.

2.0 PRODUCT DESCRIPTION

2.1 PRODUCT NAME AND SERIES NUMBER (S)

<u>PRODUCT NAME</u>	<u>PART NUMBER</u>
Female Crimp Terminal	5556-****
Male Crimp Terminal	5558-****
Receptacle Housing	5557-****
Plug Housing	5559-****
Vertical Header Assembly	5566-****
Right Angle Header Assembly	5569-****

2.2 DIMENSIONS, MATERIALS, PLATINGS AND MARKINGS

See the appropriate sales drawings for the information on dimensions, materials, platings and markings.

2.3 SAFETY AGENCY APPROVALS

UL File: E29179
CSA Certificate: LR 19980
TUV Certificate: R75142-8

3.0 APPLICABLE DOCUMENTS AND SPECIFICATIONS

See sales drawings and the other sections of this specification for the necessary referenced documents and specifications

4.0 RATINGS

4.1 VOLTAGE

600 Volts AC (RMS) (or 600 Volts DC)

4.2 CURRENT AND APPLICABLE WIRES

Maximum Insulation Diameter and Applicable Wire Gauges	16 AWG: 3.10/. 122 MAXIMUM
	18-24 AWG: 3.10/. 122 MAXIMUM
	22-28 AWG: 1.80/. 071 MAXIMUM

REVISION: C	EGR/ECN INFORMATION: EC No: UCP2004-2349 DATE: 2004 / 05 / 25	TITLE: PRODUCT SPECIFICATION FOR MINI-FIT JR. CONNECTOR SYSTEM	SHEET No. 1 of 5
DOCUMENT NUMBER: PS-5556-001	CREATED / REVISED BY: BANDURA	CHECKED BY: BANDURA	APPROVED BY: MARGULIS



PRODUCT SPECIFICATION

4.2 CURRENT AND APPLICABLE WIRES (continued)

MAXIMUM CURRENT RATING (Amperes)									
Brass					Phosphor Bronze				
Wire \ Ckt. Size	2 & 3	4 - 6	7 - 10	12 - 24	Wire \ Ckt. Size	2 & 3	4 - 6	7 - 10	12 - 24
AWG #16	9	8	7	6	AWG #16	8	7	6	5
AWG #18	9	8	7	6	AWG #18	8	7	6	5
AWG #20	7	6	5	5	AWG #20	6	5	4	4
AWG #22	5	4	4	4	AWG #22	4	3	3	3
AWG #24	4	3	3	3	AWG #24	3	2	2	2
AWG #26	3	2	2	2	AWG #26	2	1	1	1
AWG #28	2	1	1	1	AWG #28	1	1	1	1

4.3 TEMPERATURE

Operating: * - 40°C to + 105°C

Nonoperating: - 40°C to + 105°C

*Including 30°C terminal temperature at rated current

5.0 PERFORMANCE

5.1 ELECTRICAL REQUIREMENTS

ITEM	DESCRIPTION	TEST CONDITION	REQUIREMENT
1	Contact Resistance (Low Level)	Mate connectors: apply a maximum voltage of 20 mV and a current of 100 mA. Wire resistance shall be removed from the measured value.	10 milliohms MAXIMUM [initial]
2	Contact Resistance @ Rated Current	Mate connectors: apply a maximum voltage of 20 mV at rated current.	10 milliohms MAXIMUM [initial]
3	Contact Resistance of Wire Termination (Low Level)	Terminate the applicable wire to the terminal and measure wire using a voltage of 20 mV and a current of 100 mA.	5 milliohms MAXIMUM [initial]
4	Insulation Resistance	Mate connectors: apply a voltage of 500 VDC between adjacent terminals and between terminals to ground.	1000 Megohms MINIMUM

REVISION: C	EGR/ECN INFORMATION: EC No: UCP2004-2349 DATE: 2004 / 05 / 25	TITLE: PRODUCT SPECIFICATION FOR MINI-FIT JR. CONNECTOR SYSTEM	SHEET No. 2 of 5
DOCUMENT NUMBER: PS-5556-001	CREATED / REVISED BY: BANDURA	CHECKED BY: BANDURA	APPROVED BY: MARGULIS



PRODUCT SPECIFICATION

5.1 ELECTRICAL REQUIREMENTS (continued)

ITEM	DESCRIPTION	TEST CONDITION	REQUIREMENT
5	Dielectric Withstanding Voltage	Mate connectors: apply a voltage of 1500 VAC for 1 minute between adjacent terminals and between terminals to ground.	No breakdown. Current leakage < 5 mA
6	Temperature Rise (via Current Cycling)	Mate connectors. Measure the temperature rise at the rated current after 96 hours, during current cycling (45 minutes ON and 15 minutes OFF per hour) for 240 hours, and after final 96-hour steady state.	Temperature rise: +30°C MAXIMUM

5.2 MECHANICAL REQUIREMENTS

ITEM	DESCRIPTION	TEST CONDITION	REQUIREMENT
1	Terminal Insertion and Withdrawal Forces	Insert and withdraw terminal (male to female) at a rate of 25 ± 6 mm (1 ± ¼ inch) per minute.	14.7 N (3.30 lbf) MAXIMUM insertion force & 1.0 N (0.02 lbf) MINIMUM withdrawal force
2	Terminal Retention Force (in Housing)	Axial pullout force on the terminal in the housing at a rate of 25 ± 6 mm (1 ± ¼ inch) per minute.	30 N (6.74 lbf) MINIMUM retention force
3	Durability	Mate connectors up to 30 cycles at a maximum rate of 10 cycles per minute prior to Environmental Tests.	20 milliohms MAXIMUM
4	Vibration (Random)	Mate connectors and vibrate per EIA 364-28, test condition VII.	10 milliohms MAXIMUM (change from initial) & Discontinuity < 1 microsecond
5	Shock (Mechanical)	Mate connectors and shock at 50 g's with ½ sine wave (11 milliseconds) shocks in the ±X, ±Y, ±Z axes, (18 shocks total).	20 milliohms MAXIMUM & Discontinuity < 1 microsecond
6	Wire Pullout Force (Axial)	Apply an axial pullout force on the wire at a rate of 25 ± 6 mm (1 ± ¼ inch).	16 Awg = 88.0 N (19.8 lbf) Min. 18 Awg = 88.0 N (19.8 lbf) Min. 20 Awg = 59.0 N (13.3 lbf) Min. 22 Awg = 39.0 N (8.78 lbf) Min. 24 Awg = 29.0 N (6.52 lbf) Min. 26 Awg = 19.0 N (4.27 lbf) Min. 28 Awg = 9.80 N (2.20 lbf) Min.

REVISION: C	EGR/ECN INFORMATION: EC No: UCP2004-2349 DATE: 2004 / 05 / 25	TITLE: PRODUCT SPECIFICATION FOR MINI-FIT JR. CONNECTOR SYSTEM	SHEET No. 3 of 5
DOCUMENT NUMBER: PS-5556-001	CREATED / REVISED BY: BANDURA	CHECKED BY: BANDURA	APPROVED BY: MARGULIS



PRODUCT SPECIFICATION

5.2 MECHANICAL REQUIREMENTS (continued)

7	Terminal Insertion Force (into Housing)	Apply an axial insertion force on the terminal at a rate of 25 ± 6 mm ($1 \pm \frac{1}{4}$ inch).	15.0 N (3.37 lbf) MAXIMUM insertion force
8	Normal Force	Apply a perpendicular force.	0.49 N (50 grams) MINIMUM [Gold (noble) plating] OR 1.47 N (150 grams) MINIMUM [Tin (non-noble) plating]
9	PCB Engagement and Separation Forces	Engage and separate a connector at a rate of 25 ± 6 mm ($1 \pm \frac{1}{4}$ inch) per minute. (Applies to parts with PCB retention features only)	49.0 N (11.0 lbf) MAXIMUM insertion force & 10.0 N (2.24 lbf) MINIMUM withdrawal force
10	Panel Insertion and Withdrawal Forces	Insert and withdraw a connector at a rate of 25 ± 6 mm ($1 \pm \frac{1}{4}$ inch) per minute. (Applies to parts with panel retention features only)	225 N (50.7 lbf) MAXIMUM insertion force & 157 N (35.3 lbf) MINIMUM withdrawal force
11	Pin Retention Force	Apply axial push force at the speed rate of 25 ± 3 mm/minute.	1.0 KGF MIN.
12	Thumb latch Operation Force	Depress latch at a speed rate of 25.4 mm/minute.	1.7 KGF MAX.
13	Thumb latch Yield Strength	Mate loaded connectors fully. Pull apart via wires at a speed rate of 25.4 mm/minute.	7.0 KGF MIN.

<u>REVISION:</u> C	<u>EGR/ECN INFORMATION:</u> EC No: UCP2004-2349 DATE: 2004 / 05 / 25	<u>TITLE:</u> PRODUCT SPECIFICATION FOR MINI-FIT JR. CONNECTOR SYSTEM	<u>SHEET No.</u> 4 of 5
<u>DOCUMENT NUMBER:</u> PS-5556-001	<u>CREATED / REVISED BY:</u> BANDURA	<u>CHECKED BY:</u> BANDURA	<u>APPROVED BY:</u> MARGULIS



PRODUCT SPECIFICATION

5.3 ENVIRONMENTAL REQUIREMENTS (continued)

ITEM	DESCRIPTION	TEST CONDITION	REQUIREMENT
1	Thermal Shock	Mate connectors: expose for 5 cycles Between temperatures -55 and 105° C; Dwell 0.5 hours at each temperature.	20 milliohms MAXIMUM Visual: No Damage Dielectric Strength per 5.1.5 Insulation Resistance per 5.1.4
2	Thermal Aging	Mate connectors; expose to: 96 hours at 105 ± 2°C	20 milliohms MAXIMUM & Visual: No Damage
3	Humidity (Steady State)	Mate connectors: expose to a temperature of 60 ± 2°C with a relative humidity of 90-95% for 96 hours.	20 milliohms MAXIMUM Dielectric Strength per 5.1.5 Insulation Resistance per 5.1.4 Visual: No Damage
4	Solderability	Per SMES-152	Solder coverage: 95% MINIMUM (per SMES-152)
5	Solder Resistance	Dip connector terminals tail in solder: Solder Duration: 5 ± 0.5 seconds; Solder Temperature: 260 ± 5°C	Visual: No Damage to insulator material
6	Cold Resistance	Mate connectors: Duration; 96 hours; Temperature: -40 ± 3°C	20 milliohms MAXIMUM Visual: No Damage
7	Corrosive Atmosphere: Sulfur Dioxide Gas (SO₂)	Mate connectors: Duration; 24 hours exposure. Atmosphere: 50 parts per million (ppm) SO ₂ Gas. Temperature: 40 ± 3°C	20 milliohms MAXIMUM Visual: No Damage

6.0 PACKAGING

Parts shall be packaged to protect against damage during handling, transit and storage.

<u>REVISION:</u> C	<u>EGR/ECN INFORMATION:</u> EC No: UCP2004-2349 DATE: 2004 / 05 / 25	<u>TITLE:</u> PRODUCT SPECIFICATION FOR MINI-FIT JR. CONNECTOR SYSTEM	<u>SHEET No.</u> 5 of 5
<u>DOCUMENT NUMBER:</u> PS-5556-001	<u>CREATED / REVISED BY:</u> BANDURA	<u>CHECKED BY:</u> BANDURA	<u>APPROVED BY:</u> MARGULIS



PRODUCT SPECIFICATION

<u>REVISION:</u> C	<u>EGR/ECN INFORMATION:</u> EC No: UCP2004-2349 DATE: 2004 / 05 / 25	<u>TITLE:</u> PRODUCT SPECIFICATION FOR MINI-FIT JR. CONNECTOR SYSTEM	<u>SHEET No.</u> 6 of 5
<u>DOCUMENT NUMBER:</u> PS-5556-001	<u>CREATED / REVISED BY:</u> BANDURA	<u>CHECKED BY:</u> BANDURA	<u>APPROVED BY:</u> MARGULIS



PRODUCT SPECIFICATION

<u>REVISION:</u> C	<u>EGR/ECN INFORMATION:</u> EC No: UCP2004-2349 DATE: 2004 / 05 / 25	<u>TITLE:</u> PRODUCT SPECIFICATION FOR MINI-FIT JR. CONNECTOR SYSTEM	<u>SHEET No.</u> 7 of 5
<u>DOCUMENT NUMBER:</u> PS-5556-001	<u>CREATED / REVISED BY:</u> BANDURA	<u>CHECKED BY:</u> BANDURA	<u>APPROVED BY:</u> MARGULIS

CKT SIZE	DIM A	DIM B	DIM C	DIM D
4	.496 (12.60)	.709 (18.00)	.850 (21.60)	1.102 (28.00)
5	.661 (16.80)	.874 (22.20)	1.016 (25.80)	1.268 (32.20)
6	.827 (21.00)	1.039 (26.40)	1.181 (30.00)	1.433 (36.40)
7	.992 (25.20)	1.205 (30.60)	1.346 (34.20)	1.598 (40.60)
8	1.157 (29.40)	1.370 (34.80)	1.512 (38.40)	1.764 (44.80)
9	1.323 (33.60)	1.535 (39.00)	1.677 (42.60)	1.929 (49.00)
10	1.488 (37.80)	1.701 (43.20)	1.843 (46.80)	2.094 (53.20)
11	1.654 (42.00)	1.866 (47.40)	2.008 (51.00)	2.260 (57.40)
12	1.819 (46.20)	2.031 (51.60)	2.173 (55.20)	2.425 (61.60)

NOTES:

1) HOUSING MATERIAL:

- "BLANK" = NYLON 6/6, U.L. 94V-2, COLOR: NATURAL.
- 210 = NYLON 6/6, U.L. 94V-0, COLOR: NATURAL.
- BL = NYLON 6/6, U.L. 94V-2, COLOR: BLACK.
- 210-BL = NYLON 6/6, U.L. 94V-0, COLOR: BLACK.

2) PART MATES WITH MOLEX RECEPTACLE *5557.

3) TERMINAL MATERIAL: BRASS, ALLOY 260.

4) TERMINAL PLATING:

- "BLANK" - .000200/(.00508) MIN. TIN OVER
.000100/(.00254) MIN. COPPER OVERALL.
- G - .000030/(.00076) MIN. GOLD OVER
.000050/(.00127) MIN. NICKEL OVERALL.
- G5 - .000030/(.00076) MIN. SELECT GOLD AND
.000100/(.00127) MIN. SELECT MATTE TIN OVER
.000050/(.00127) MIN NICKEL OVERALL.
- G2 - .000015/(.00038) MIN. GOLD OVER
.000030/(.00076) MIN. NICKEL OVERALL.
- GS2 - .00015/(.00038) MIN. SELECT GOLD AND
.000100/(.00254) MIN. SELECT MATTE TIN OVER
.000050/(.00127) MIN. NICKEL OVERALL.
- G3 - .000050/(.00127) MIN. GOLD OVER
.000050/(.00127) MIN. NICKEL OVERALL.
- S - .000100/(.00254) MIN. TIN OVER
.000050/(.00127) MIN. NICKEL OVERALL.
- GS - .000030/(.00076) MIN. SELECT GOLD,
.000100/(.00254) MIN SELECT MATTE TIN
OVER .000050/(.00127) MIN. NICKEL OVERALL.

5) PRODUCT SPECIFICATION: PS-5556-001

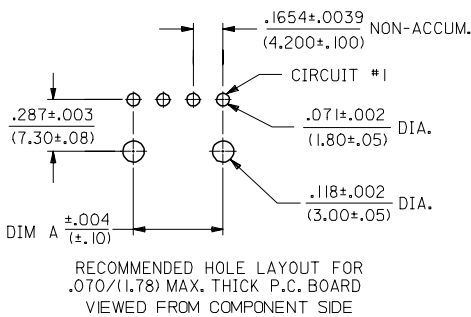
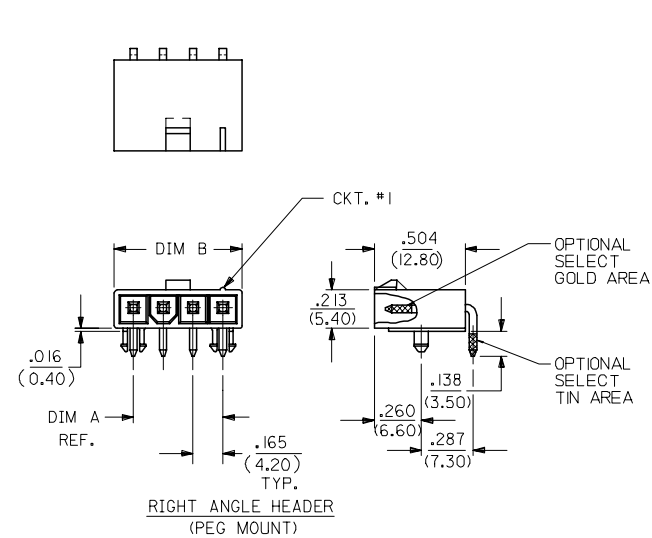
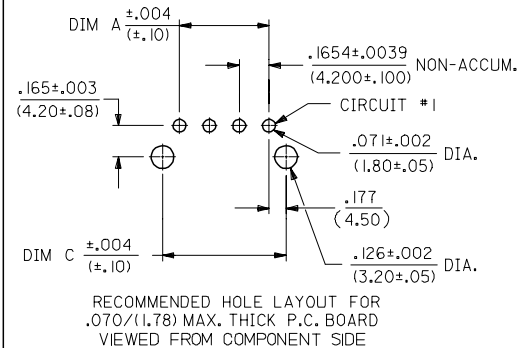
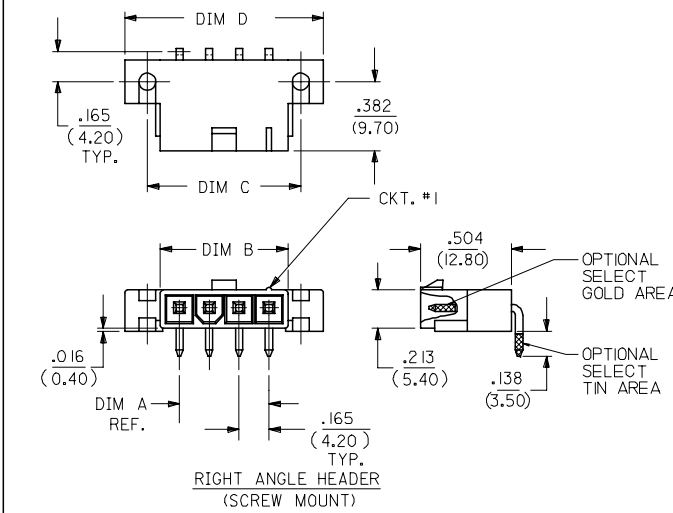
6) PART IS DESIGNED FOR USE WITH 4 - 40 OR M3 SCREWS.

7) DISCOLORATION IN THE BANDOLIER CARRIER AREA OF THE PIN IS INHERENT TO THE PLATING PROCESS AND IS DUE TO THE MASKING EFFECT OF THE CARRIER. THIS DISCOLORATION IS IN A NON-FUNCTIONAL AREA OF THE HEADER ASSEMBLY. IT WILL NOT AFFECT THE PERFORMANCE OF THE HEADER ASSEMBLY.

8) CONNECTORS ARE NOT TO BE MATED OR UNMATED WHILE CIRCUIT ARE LIVE.

9) PARTS NOT DESIGNED FOR CURRENT SHARING.

10) PART CONFORMS TO CLASS "B" REQUIREMENTS OF COSMETIC SPECIFICATION PS-45499-002.



LEGEND:

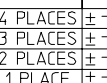
- CKT. SIZE: 5569 - ** A * * - *
- ASSEMBLY: (04-12)
- MOUNTING & LOCK OPTION: 3 = SCREW MOUNT, POSITIVE LOCK; 4 = PEG MOUNT, POSITIVE LOCK; 5 = PEG MOUNT, PASSIVE LOCK
- PLATING OPTION: (SEE NOTE 4)
- MATERIAL OPTION: (SEE NOTE 1)

4	P1
3	P1
2	P
1	P2
SHEET REV	

ADDED NOTE 10 EC NO: UCP2006-3005 DRW:ADRA1NOL 2006/07/26 CHKD:SFY 2006/08/07 APPR:ICOMERC 2006/08/07 P2	QUALITY SYMBOLS 	GENERAL TOLERANCES (UNLESS SPECIFIED) <table border="1"> <tr> <th></th> <th>mm</th> <th>INCH</th> </tr> <tr> <td>4 PLACES ± ---</td> <td>± ---</td> <td>± ---</td> </tr> <tr> <td>3 PLACES ± ---</td> <td>± .015</td> <td>± ---</td> </tr> <tr> <td>2 PLACES ± .38</td> <td>± ---</td> <td>± ---</td> </tr> <tr> <td>1 PLACE ± ---</td> <td>± ---</td> <td>± ---</td> </tr> </table>		mm	INCH	4 PLACES ± ---	± ---	± ---	3 PLACES ± ---	± .015	± ---	2 PLACES ± .38	± ---	± ---	1 PLACE ± ---	± ---	± ---	DIMENSION STYLE IN/MM	SCALE 2:1	DESIGN UNITS METRIC	THIRD ANGLE PROJECTION
			mm	INCH																	
4 PLACES ± ---	± ---	± ---																			
3 PLACES ± ---	± .015	± ---																			
2 PLACES ± .38	± ---	± ---																			
1 PLACE ± ---	± ---	± ---																			
DRAFT WHERE APPLICABLE MUST REMAIN WITHIN DIMENSIONS	SEE CHARTS	MATERIAL NO. SDA-5569-NL*	DOCUMENT NO. MOLEX INCORPORATED	SHEET NO. 1 OF 4	RIGHT ANGLE HEADER ASSY (SINGLE ROW) (MINI-FIT JR. SERIES)																

	13	12	11	10	9	8	7	6	5	4	3	2	1		
	E.D.P. NO.	ENG. NO.	CKT. SIZE	MOUNTING OPTION	LOCK OPTION	PLATING (SEE NOTE 4)	MAT'L. (SEE NOTE 1)		E.D.P. NO.	ENG. NO.	CKT. SIZE	MOUNTING OPTION	LOCK OPTION	PLATING (SEE NOTE 4)	MAT'L. (SEE NOTE 1)
J	39-30-3041	5569-04A3	4	SCREWS	POSITIVE	TIN/COPPER	94V-2		39-30-3049	5569-04A4G2	4	PEGS	POSITIVE	15 GOLD	94V-2
	39-30-3051	5569-05A3	5	SCREWS	POSITIVE	TIN/COPPER	94V-2		39-30-3059	5569-05A4G2	5	PEGS	POSITIVE	15 GOLD	94V-2
	39-30-3061	5569-06A3	6	SCREWS	POSITIVE	TIN/COPPER	94V-2		39-30-3069	5569-06A4G2	6	PEGS	POSITIVE	15 GOLD	94V-2
	39-30-3071	5569-07A3	7	SCREWS	POSITIVE	TIN/COPPER	94V-2		39-30-3079	5569-07A4G2	7	PEGS	POSITIVE	15 GOLD	94V-2
	39-30-3081	5569-08A3	8	SCREWS	POSITIVE	TIN/COPPER	94V-2		39-30-3089	5569-08A4G2	8	PEGS	POSITIVE	15 GOLD	94V-2
	39-30-3091	5569-09A3	9	SCREWS	POSITIVE	TIN/COPPER	94V-2		39-30-3099	5569-09A4G2	9	PEGS	POSITIVE	15 GOLD	94V-2
	39-30-3101	5569-10A3	10	SCREWS	POSITIVE	TIN/COPPER	94V-2		39-30-3109	5569-10A4G2	10	PEGS	POSITIVE	15 GOLD	94V-2
I	39-30-3111	5569-11A3	11	SCREWS	POSITIVE	TIN/COPPER	94V-2		39-30-3119	5569-11A4G2	11	PEGS	POSITIVE	15 GOLD	94V-2
	39-30-3121	5569-12A3	12	SCREWS	POSITIVE	TIN/COPPER	94V-2		39-30-3129	5569-12A4G2	12	PEGS	POSITIVE	15 GOLD	94V-2
	39-30-3042	5569-04A3-210	4	SCREWS	POSITIVE	TIN/COPPER	94V-0		39-30-4040	5569-04A4G2-210	4	PEGS	POSITIVE	15 GOLD	94V-0
	39-30-3052	5569-05A3-210	5	SCREWS	POSITIVE	TIN/COPPER	94V-0		39-30-4050	5569-05A4G2-210	5	PEGS	POSITIVE	15 GOLD	94V-0
	39-30-3062	5569-06A3-210	6	SCREWS	POSITIVE	TIN/COPPER	94V-0		39-30-4060	5569-06A4G2-210	6	PEGS	POSITIVE	15 GOLD	94V-0
	39-30-3072	5569-07A3-210	7	SCREWS	POSITIVE	TIN/COPPER	94V-0		39-30-4070	5569-07A4G2-210	7	PEGS	POSITIVE	15 GOLD	94V-0
	39-30-3082	5569-08A3-210	8	SCREWS	POSITIVE	TIN/COPPER	94V-0		39-30-4080	5569-08A4G2-210	8	PEGS	POSITIVE	15 GOLD	94V-0
H	39-30-3092	5569-09A3-210	9	SCREWS	POSITIVE	TIN/COPPER	94V-0		39-30-4090	5569-09A4G2-210	9	PEGS	POSITIVE	15 GOLD	94V-0
	39-30-3102	5569-10A3-210	10	SCREWS	POSITIVE	TIN/COPPER	94V-0		39-30-4100	5569-10A4G2-210	10	PEGS	POSITIVE	15 GOLD	94V-0
	39-30-3112	5569-11A3-210	11	SCREWS	POSITIVE	TIN/COPPER	94V-0		39-30-4110	5569-11A4G2-210	11	PEGS	POSITIVE	15 GOLD	94V-0
	39-30-3122	5569-12A3-210	12	SCREWS	POSITIVE	TIN/COPPER	94V-0		39-30-4120	5569-12A4G2-210	12	PEGS	POSITIVE	15 GOLD	94V-0
	39-30-3045	5569-04A4	4	PEGS	POSITIVE	TIN/COPPER	94V-2		39-30-3043	5569-04A3G	4	SCREWS	POSITIVE	30 GOLD	94V-2
	39-30-3055	5569-05A4	5	PEGS	POSITIVE	TIN/COPPER	94V-2		39-30-3053	5569-05A3G	5	SCREWS	POSITIVE	30 GOLD	94V-2
	39-30-3065	5569-06A4	6	PEGS	POSITIVE	TIN/COPPER	94V-2		39-30-3063	5569-06A3G	6	SCREWS	POSITIVE	30 GOLD	94V-2
G	39-30-3075	5569-07A4	7	PEGS	POSITIVE	TIN/COPPER	94V-2		39-30-3073	5569-07A3G	7	SCREWS	POSITIVE	30 GOLD	94V-2
	39-30-3085	5569-08A4	8	PEGS	POSITIVE	TIN/COPPER	94V-2		39-30-3083	5569-08A3G	8	SCREWS	POSITIVE	30 GOLD	94V-2
	39-30-3095	5569-09A4	9	PEGS	POSITIVE	TIN/COPPER	94V-2		39-30-3093	5569-09A3G	9	SCREWS	POSITIVE	30 GOLD	94V-2
	39-30-3105	5569-10A4	10	PEGS	POSITIVE	TIN/COPPER	94V-2		39-30-3103	5569-10A3G	10	SCREWS	POSITIVE	30 GOLD	94V-2
	39-30-3115	5569-11A4	11	PEGS	POSITIVE	TIN/COPPER	94V-2		39-30-3113	5569-11A3G	11	SCREWS	POSITIVE	30 GOLD	94V-2
	39-30-3125	5569-12A4	12	PEGS	POSITIVE	TIN/COPPER	94V-2		39-30-3123	5569-12A3G	12	SCREWS	POSITIVE	30 GOLD	94V-2
F	39-30-3046	5569-04A4-210	4	PEGS	POSITIVE	TIN/COPPER	94V-0		NO E.D.P.	5569-04A3G-210	4	SCREWS	POSITIVE	30 GOLD	94V-0
	39-30-3056	5569-05A4-210	5	PEGS	POSITIVE	TIN/COPPER	94V-0		NO E.D.P.	5569-05A3G-210	5	SCREWS	POSITIVE	30 GOLD	94V-0
	39-30-3066	5569-06A4-210	6	PEGS	POSITIVE	TIN/COPPER	94V-0		NO E.D.P.	5569-06A3G-210	6	SCREWS	POSITIVE	30 GOLD	94V-0
	39-30-3076	5569-07A4-210	7	PEGS	POSITIVE	TIN/COPPER	94V-0		NO E.D.P.	5569-07A3G-210	7	SCREWS	POSITIVE	30 GOLD	94V-0
	39-30-3086	5569-08A4-210	8	PEGS	POSITIVE	TIN/COPPER	94V-0		NO E.D.P.	5569-08A3G-210	8	SCREWS	POSITIVE	30 GOLD	94V-0
	39-30-3096	5569-09A4-210	9	PEGS	POSITIVE	TIN/COPPER	94V-0		NO E.D.P.	5569-09A3G-210	9	SCREWS	POSITIVE	30 GOLD	94V-0
	39-30-3106	5569-10A4-210	10	PEGS	POSITIVE	TIN/COPPER	94V-0		NO E.D.P.	5569-10A3G-210	10	SCREWS	POSITIVE	30 GOLD	94V-0
E	39-30-3116	5569-11A4-210	11	PEGS	POSITIVE	TIN/COPPER	94V-0		NO E.D.P.	5569-11A3G-210	11	SCREWS	POSITIVE	30 GOLD	94V-0
	39-30-3126	5569-12A4-210	12	PEGS	POSITIVE	TIN/COPPER	94V-0		NO E.D.P.	5569-12A3G-210	12	SCREWS	POSITIVE	30 GOLD	94V-0
	39-30-3047	5569-04A4G	4	PEGS	POSITIVE	30 GOLD	94V-2		39-30-7041	5569-04A4S	4	PEGS	POSITIVE	TIN/NICKEL	94V-2
	39-30-3057	5569-05A4G	5	PEGS	POSITIVE	30 GOLD	94V-2		39-30-7051	5569-05A4S	5	PEGS	POSITIVE	TIN/NICKEL	94V-2
	39-30-3067	5569-06A4G	6	PEGS	POSITIVE	30 GOLD	94V-2		39-30-7061	5569-06A4S	6	PEGS	POSITIVE	TIN/NICKEL	94V-2
	39-30-3077	5569-07A4G	7	PEGS	POSITIVE	30 GOLD	94V-2		39-30-7071	5569-07A4S	7	PEGS	POSITIVE	TIN/NICKEL	94V-2
	39-30-3087	5569-08A4G	8	PEGS	POSITIVE	30 GOLD	94V-2		39-30-7081	5569-08A4S	8	PEGS	POSITIVE	TIN/NICKEL	94V-2
D	39-30-3097	5569-09A4G	9	PEGS	POSITIVE	30 GOLD	94V-2		39-30-7091	5569-09A4S	9	PEGS	POSITIVE	TIN/NICKEL	94V-2
	39-30-3107	5569-10A4G	10	PEGS	POSITIVE	30 GOLD	94V-2		39-30-7101	5569-10A4S	10	PEGS	POSITIVE	TIN/NICKEL	94V-2
	39-30-3117	5569-11A4G	11	PEGS	POSITIVE	30 GOLD	94V-2		39-30-7111	5569-11A4S	11	PEGS	POSITIVE	TIN/NICKEL	94V-2
	39-30-3127	5569-12A4G	12	PEGS	POSITIVE	30 GOLD	94V-2		39-30-7121	5569-12A4S	12	PEGS	POSITIVE	TIN/NICKEL	94V-2
	39-30-3048	5569-04A4G-210	4	PEGS	POSITIVE	30 GOLD	94V-0		39-30-7042	5569-04A4S-210	4	PEGS	POSITIVE	TIN/NICKEL	94V-0
	39-30-3058	5569-05A4G-210	5	PEGS	POSITIVE	30 GOLD	94V-0		39-30-7052	5569-05A4S-210	5	PEGS	POSITIVE	TIN/NICKEL	94V-0
	39-30-3068	5569-06A4G-210	6	PEGS	POSITIVE	30 GOLD	94V-0		39-30-7062	5569-06A4S-210	6	PEGS	POSITIVE	TIN/NICKEL	94V-0
C	39-30-3078	5569-07A4G-210	7	PEGS	POSITIVE	30 GOLD	94V-0		39-30-7072	5569-07A4S-210	7	PEGS	POSITIVE	TIN/NICKEL	94V-0
	39-30-3088	5569-08A4G-210	8	PEGS	POSITIVE	30 GOLD	94V-0		39-30-7082	5569-08A4S-210	8	PEGS	POSITIVE	TIN/NICKEL	94V-0
	39-30-3098	5569-09A4G-210	9	PEGS	POSITIVE	30 GOLD	94V-0		39-30-7092	5569-09A4S-210	9	PEGS	POSITIVE	TIN/NICKEL	94V-0
	39-30-3108	5569-10A4G-210	10	PEGS	POSITIVE	30 GOLD	94V-0		39-30-7102	5569-10A4S-210	10	PEGS	POSITIVE	TIN/NICKEL	94V-0
	39-30-3118	5569-11A4G-210	11	PEGS	POSITIVE	30 GOLD	94V-0		39-30-7112	5569-11A4S-210	11	PEGS	POSITIVE	TIN/NICKEL	94V-0
	39-30-3128	5569-12A4G-210	12	PEGS	POSITIVE	30 GOLD	94V-0		39-30-7122	5569-12A4S-210	12	PEGS	POSITIVE	TIN/NICKEL	94V-0
B															
A															

SEE SHEET 1
 EC NO: UCP2006-1064
 TO DRAWN:ADRIANOL 2005/11/09
 CHKD:GPOLGAR 2005/11/09
 APPR:ICOMERCJ 2005/11/09

QUALITY SYMBOLS 	GENERAL TOLERANCES (UNLESS SPECIFIED)		DIMENSION STYLE IN/MM		SCALE ---	DESIGN UNITS METRIC	THIRD ANGLE PROJECTION
	mm	INCH	DRAWN BY R/JF	DATE 10/21/89	TITLE RIGHT ANGLE HEADER ASSY (SINGLE ROW) (MINI-FIT JR. SERIES)		
4 PLACES ± --- ± ---			CHECKED BY BAP	DATE 10/21/89	MOLEX MOLEX INCORPORATED		
3 PLACES ± --- ± ---			APPROVED BY RAS	DATE 10/21/89			
2 PLACES ± --- ± ---			MATERIAL NO.		DOCUMENT NO.		SHEET NO.
1 PLACE ± --- ± ---			SEE CHART		SDA-5569-NL*		2
ANGULAR ±1/2°		DRAFT WHERE APPLICABLE MUST REMAIN WITHIN DIMENSIONS					
THIS DRAWING CONTAINS INFORMATION THAT IS PROPRIETARY TO MOLEX INCORPORATED AND SHOULD NOT BE USED WITHOUT WRITTEN PERMISSION							