

Distributed by:

**JAMECO**<sup>®</sup>  
ELECTRONICS

**www.Jameco.com ♦ 1-800-831-4242**

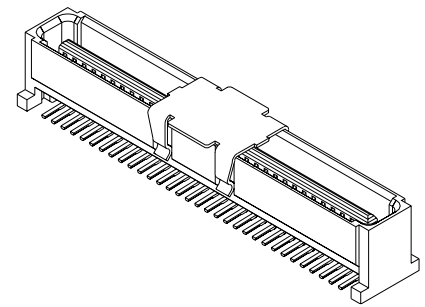
The content and copyrights of the attached  
material are the property of its owner.

Jameco Part Number 884774



# 1.00mm (.039") Mezzanine IEEE 1386 Board-to-Board Plug

## 71436 Dual Row, SMT Vertical Stacking



### FEATURES AND SPECIFICATIONS

#### Features and Benefits

- Mated heights: 8, 9, 10, 11, 12, 13, 14 and 15mm
- Size 64 circuits
- Leaf-style design protects pins
- Antiflux design
- Low insertion force
- High-temperature LCP housing for use with reflow solder processes

#### Reference Information

Product Specification: 71436-9999  
 Packaging: Tube or tape and reel  
 UL File No.: E29179  
 Mates With: [71439](#)  
 Designed In: Millimeters

#### Electrical

Voltage: 100V  
 Current: 1.0A  
 Contact Resistance: 30mΩ max.  
 Dielectric Withstanding Voltage: 250V  
 Insulation Resistance: 1000 MΩ min.

#### Mechanical

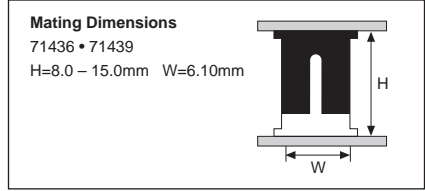
Contact Retention to Housing: 0.4kgf min.  
 Mating Force: 50g max. per contact  
 Unmating Force: 25g min. per contact

#### Physical

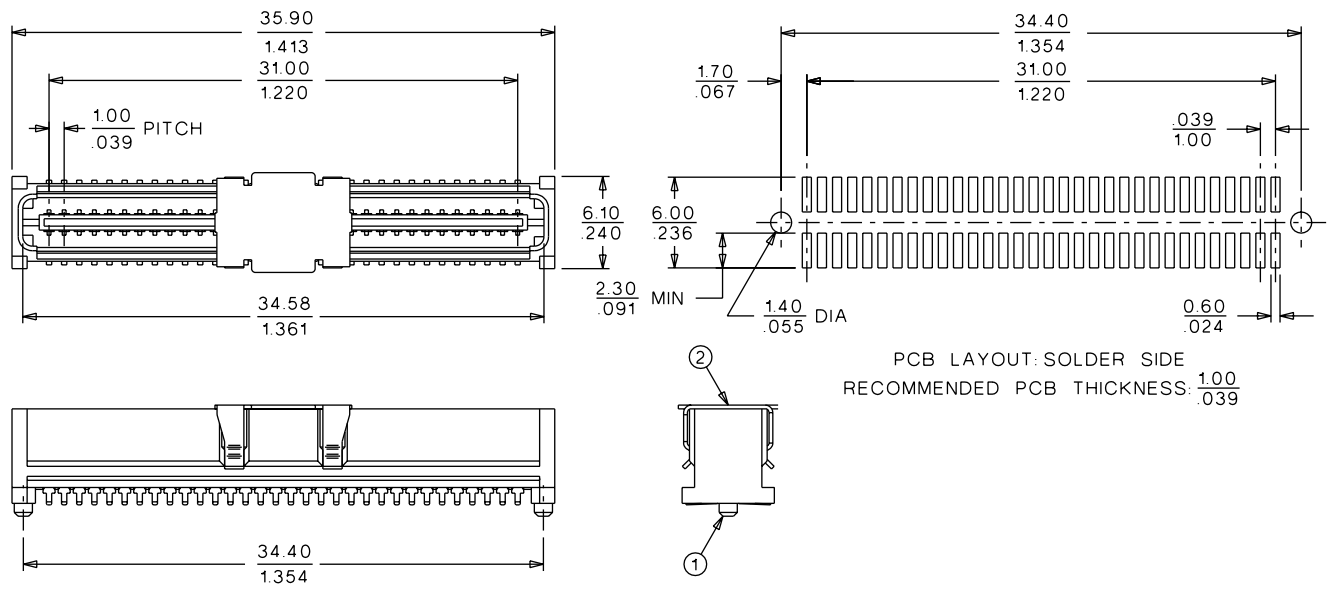
Housing: Glass-filled LCP, UL 94V-0  
 Contact: Phosphor Bronze  
 Plating: 30μ" Gold min.  
 Operating Temperature: -55 to +85°C

**A**

0.40 to 1.60mm (.016 to .063") Pitch



### CATALOG DRAWING (FOR REFERENCE ONLY)



### ORDERING INFORMATION AND DIMENSIONS

| Circuits | Order No.   |            |   |            | Mated Stack Height* |
|----------|---|------------|---|------------|---------------------|
|          | Tube Pack (with PCB Pegs, without Pick and Place Cap) |            | Tape Pack (without PCB Pegs, with Pick and Place Cap) |            |                     |
|          | Plug  | Receptacle | Plug  | Receptacle |                     |
| 64       | 71436-0164  | 71439-0164 | 71436-0864  | 71439-0864 | 8.00 (.315)         |
|          | 71436-1164  | 71439-0164 | 71436-1864  | 71439-0864 | 9.00 (.354)         |
|          | 71436-2164  | 71439-0164 | 71436-2864  | 71439-0864 | 10.00 (.394)        |
|          | 71436-1164  | 71439-1164 | 71436-1864  | 71439-1864 | 11.00 (.433)        |
|          | 71436-2164  | 71439-1164 | 71436-2864  | 71439-1864 | 12.00 (.472)        |
|          | 71436-2164  | 71439-2164 | 71436-2864  | 71439-2864 | 13.00 (.512)        |
|          | 71436-1164  | 71439-3164 | 71436-1864  | 71439-3864 | 14.00 (.551)        |
|          | 71436-2164  | 71439-3164 | 71436-2864  | 71439-3864 | 15.00 (.591)        |

\* Recommended Plug/Receptacle combination for mated stack height per EIA standard 700 AAAB. Also per EIA standard, board stack height measured from facing surfaces of parallel circuit boards includes solder thickness of 0.1mm (.004") per side.

Note: Other options available such as PCB pegs in tape pack, and Pick and Place Cap in tube pack



PRODUCT SPECIFICATION  
1.0mm BOARD-TO-BOARD CONNECTORS  
PS-71436-9999

1.0 Scope:

This specification covers the 1.0mm pitch board-to-board plug and receptacle connectors.

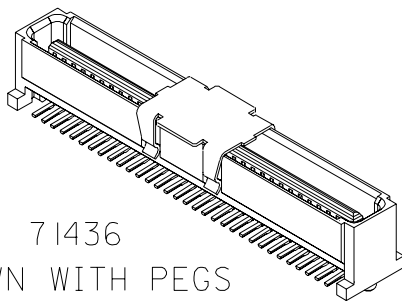
2.0 Product Description:

2.1 The 71436/71741 plug and the 71439/71742 receptacle connectors have been designed in accordance with EIA standard 700 AAAB for 1.0mm two-part connectors for use with parallel printed boards.

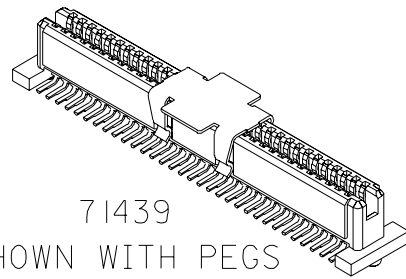
2.1.1 All 1.0mm connectors are available with or without locating pegs.

2.1.2 All 1.0mm connectors can be supplied with a vacuum cap for robotic placement.

2.1.3 71741 plug and 71742 receptacle have passive latches (two on each side) for added retention.



71436  
SHOWN WITH PEGS  
AND VACUUM CAP



71439  
SHOWN WITH PEGS  
AND VACUUM CAP

DRWG. NO.  
PS-71436-9999

REV.  
SHT.

FILE NAME  
PS71436X1.DGN

⊕ = 0    ▼ = 0

REVISE ONLY ON CAD SYSTEM

REV. B

THIS DRAWING CONTAINS INFORMATION THAT IS PROPRIETARY TO MOLEX INC. AND SHOULD NOT BE USED WITHOUT WRITTEN PERMISSION.

SHT. 1 OF 11

DRWG. NO.  
PS-71436-9999



MOLEX INCORPORATED  
LISLE, ILL. 60532 U.S.A.

PRODUCT SPECIFICATION  
1.0mm BOARD-TO-BOARD CONNECTORS  
PS-71436-9999

2.0 Product Description: (cont'd)

2.2 Product Name and Item Numbers  
See figure 1 and table 1.

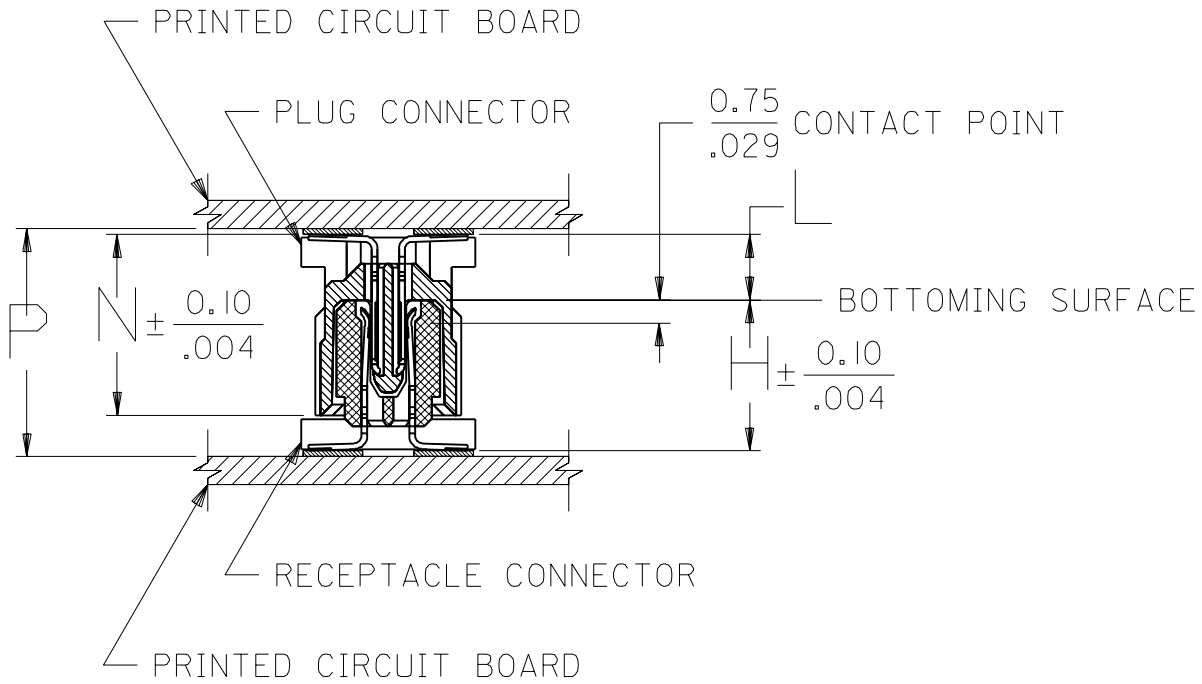


Figure 1

DRWG. NO.  
PS-71436-9999

REV.  
SHT.

FILE NAME  
PS71436X2.DGN

⊕ = 0

▼ = 0

REVISE ONLY ON CAD SYSTEM

REV.

A

THIS DRAWING CONTAINS INFORMATION THAT IS PROPRIETARY TO  
MOLEX INC. AND SHOULD NOT BE USED WITHOUT WRITTEN PERMISSION.

SHT.

2

DRWG. NO.  
PS-71436-9999



MOLEX INCORPORATED  
LISLE, ILL. 60532 U.S.A.

PRODUCT SPECIFICATION  
1.0mm BOARD-TO-BOARD CONNECTORS  
PS-71436-9999

2.0 Product Description: (cont'd)

2.2 Product Name and Item Numbers

| PLUG CONNECTOR |           |           | RECEPTACLE CONNECTOR |            | STACK HT.  |
|----------------|-----------|-----------|----------------------|------------|------------|
| ITEM NO.       | DIM. N    | DIM. L    | ITEM NO.             | DIM. H     | DIM. P     |
| 71436-0***     | 6.35/.250 | 2.30/.090 | 71439-0***           | 5.30/.209  | 8.00/.315  |
| 71436-1***     | 7.35/.289 | 3.30/.130 | 71439-0***           | 5.30/.209  | 9.00/.354  |
| 71436-2***     | 8.35/.329 | 4.30/.169 | 71439-0***           | 5.30/.209  | 10.00/.394 |
| 71741-0001     | 8.35/.329 | 4.30/.169 | 71742-0001           | 5.30/.209  | 10.00/.394 |
| 71436-1***     | 7.35/.289 | 3.30/.130 | 71439-1***           | 7.30/.287  | 11.00/.433 |
| 71436-2***     | 8.35/.329 | 4.30/.169 | 71439-1***           | 7.30/.287  | 12.00/.472 |
| 71436-2***     | 8.35/.329 | 4.30/.169 | 71439-2***           | 8.30/.327  | 13.00/.512 |
| 71436-1***     | 7.35/.289 | 3.30/.130 | 71439-3***           | 10.30/.406 | 14.00/.551 |
| 71436-2***     | 8.35/.329 | 4.30/.169 | 71439-3***           | 10.30/.406 | 15.00/.591 |

Table 1

2.3 Dimensions, Materials, and Platings:

See appropriate sales drawings for information on dimensions, materials, and platings.

DRWG. NO.  
PS-71436-9999

REV.  
SHT.

FILE NAME  
PS71436X3.DGN

= 0

= 0

REVISE ONLY ON CAD SYSTEM

REV.

A

THIS DRAWING CONTAINS INFORMATION THAT IS PROPRIETARY TO MOLEX INC. AND SHOULD NOT BE USED WITHOUT WRITTEN PERMISSION.

SHT.

3

DRWG. NO.  
PS-71436-9999



MOLEX INCORPORATED  
LISLE, ILL. 60532 U.S.A.

PRODUCT SPECIFICATION  
1.0mm BOARD-TO-BOARD CONNECTORS  
PS-71436-9999

3.0 Applicable Documents and Specifications:

3.1 See sales drawings and other sections of this specification for necessary referenced documents and specifications.

3.2 Recognized Agency Approvals:

3.2.1 Underwriters Laboratories Inc.: Pending

4.0 Ratings:

4.1 Voltage: 250V r.m.s.(contact to contact)

4.2 Current (30°C temperature rise): 0.5 Ampere maximum, all circuits wired in series; 1.0 Ampere maximum, five adjacent circuits wired in series

4.3 Operating temperature range: -55°C to +85°C

5.0 Performance:

5.1 Electrical

| Item                           | Test Condition   | Requirement                              |
|--------------------------------|--|--|
| Contact Resistance (Low Level) | Mate connectors, measure by dry circuit (20mV max., 10mA max.) | 30 milliohms maximum, initial            |
| Contact Resistance (Rated)     | Mate connectors, measure contact resistance at rated current   | 15 milliohms maximum change from initial |

DRWG. NO.  
PS-71436-9999

REV.

SHT.

FILE NAME  
PS71436X4.DGN

▽ = 0

▼ = 0

REVISE ONLY ON CAD SYSTEM

REV.

C

THIS DRAWING CONTAINS INFORMATION THAT IS PROPRIETARY TO MOLEX INC. AND SHOULD NOT BE USED WITHOUT WRITTEN PERMISSION.

SHT.

4

DRWG. NO.  
PS-71436-9999



MOLEX INCORPORATED  
LISLE, ILL. 60532 U.S.A.

PRODUCT SPECIFICATION  
1.0mm BOARD-TO-BOARD CONNECTORS  
PS-71436-9999

5.0 Performance: (cont'd)

5.1 Electrical

| Item                            | Test Condition  | Requirement          |
|---------------------------------|---|----------------------|
| Insulation Resistance           | Apply 250±50 VDC, measure resistance between adjacent terminals | 1000 megohms minimum |
| Dielectric Withstanding Voltage | Apply 250 VAC for 1 minute between adjacent terminals           | No breakdown         |

5.2 Mechanical

| Item                     | Test Condition   | Requirement  |
|--------------------------|--|--|
| Terminal Retention Force | Apply axial force on terminal in housing at rate of 25±6mm (1±1/4in) per minute                                      | 3.9N (0.4Kgf) minimum  |
| Mate and Un-mate Forces  | Mate and un-mate connectors at rate of 25±6mm (1±1/4in) per minute   | Mate Force:<br>60g X no. of circuits maximum<br>Un-mate Force:<br>23g X no. of circuits, minimum |
| Durability               | Mate connectors up to 100 cycles at rate of 10mm (0.40in) per second maximum; rest 30 seconds minimum (when unmated) | Maximum contact resistance change:<br>15 milliohms   |

DRWG. NO.  
PS-71436-9999

REV.

SHT.

FILE NAME  
PS71436X5.DGN

∇ = 0

▼ = 0

REVISE ONLY ON CAD SYSTEM

REV.

A

THIS DRAWING CONTAINS INFORMATION THAT IS PROPRIETARY TO MOLEX INC. AND SHOULD NOT BE USED WITHOUT WRITTEN PERMISSION.

SHT.

5

DRWG. NO.  
PS-71436-9999



MOLEX INCORPORATED  
LISLE, ILL. 60532 U.S.A.

PRODUCT SPECIFICATION  
1.0mm BOARD-TO-BOARD CONNECTORS  
PS-71436-9999

5.0 Performance: (cont'd)

5.2 Mechanical

| Item             | Test Condition   | Requirement   |
|------------------|--|---|
| Vibration        | Amplitude: 1.9mm (.076in) peak-to-peak; Sweep: 10-55-10 Hz in one minute; Duration: 2 hours in each axis x, y and z    | Maximum contact resistance change:<br>15 milliohms<br>Discontinuity no greater than one microsecond |
| Mechanical Shock | 490 m/s <sup>2</sup> (50 g) peak sawtooth, 11 milliseconds duration; one shock each direction in each axis x, y, and z | Maximum contact resistance change:<br>15 milliohms<br>Discontinuity no greater than one microsecond |

5.3 Environmental

| Item             | Test Condition   | Requirement      |                    |            |    |             |    |   |
|------------------|--|------------------|--------------------|------------|----|-------------|----|---|
| Thermal Shock    | Mated connectors exposed to 5 cycles of:<br><table border="1" style="margin-left: auto; margin-right: auto;"> <tr> <td>Temperature (°C)</td> <td>Duration (minutes)</td> </tr> <tr> <td>-40 +0, -3</td> <td>30</td> </tr> <tr> <td>+105 +3, -0</td> <td>30</td> </tr> </table> | Temperature (°C) | Duration (minutes) | -40 +0, -3 | 30 | +105 +3, -0 | 30 | Appearance: No damage<br>Maximum contact resistance change:<br>15 milliohms |
| Temperature (°C) | Duration (minutes)   |                  |                    |            |    |             |    |   |
| -40 +0, -3       | 30   |                  |                    |            |    |             |    |   |
| +105 +3, -0      | 30   |                  |                    |            |    |             |    |   |

DRWG. NO.  
PS-71436-9999

REV.  
SHT.

FILE NAME  
PS71436X6.DGN

▽ = 0

▼ = 0

REVISE ONLY ON CAD SYSTEM

REV.

A

THIS DRAWING CONTAINS INFORMATION THAT IS PROPRIETARY TO MOLEX INC. AND SHOULD NOT BE USED WITHOUT WRITTEN PERMISSION.

SHT.

6

DRWG. NO.  
PS-71436-9999





**MOLEX INCORPORATED**  
 LISLE, ILL. 60532 U.S.A.

**PRODUCT SPECIFICATION**  
**1.0mm BOARD-TO-BOARD CONNECTORS**  
**PS-71436-9999**

5.0 Performance: (cont'd)

5.3 Environmental

| Item                                 | Test Condition  | Requirement  |
|--------------------------------------|---|--|
| Thermal Aging                        | Mated connectors exposed to +85°C for 250 hours   | Appearance: No damage<br>Maximum contact resistance change: 15 milliohms                       |
| Humidity (Steady State)              | Mated connectors exposed to +40±2°C, 90-95%RH, for 240 hours per MIL-STD-202F, Method 103B, Test Condition A  | Appearance: No damage<br>Maximum contact resistance change: 15 milliohms                       |
| Humidity (Cyclic)                    | Test mated connectors per MIL-STD-202F, Method 106E, excluding steps 7a and 7b  | Appearance: No damage<br>Maximum contact resistance change: 15 milliohms                       |
| Temperature Rise and Current Cycling | Measure temperature rise of mated connectors at rated current after 96 hours, then after 45 minutes ON, 15 minutes OFF for 240 hours, and finally after 96 hours at rated current | Maximum temperature rise: 30°C over ambient<br>Maximum contact resistance change: 15 milliohms |
| Mixed Flowing Gas                    | Environmental Class II, 7 days unmated  | Maximum contact resistance change: 15 milliohms  |

DRWG. NO. PS-71436-9999

DRWG. NO. PS-71436-9999

REV.

SHT.

FILE NAME  
PS71436X7.DGN

☐ = 0

▼ = 0

REVISE ONLY ON CAD SYSTEM

REV.

A

THIS DRAWING CONTAINS INFORMATION THAT IS PROPRIETARY TO MOLEX INC. AND SHOULD NOT BE USED WITHOUT WRITTEN PERMISSION.

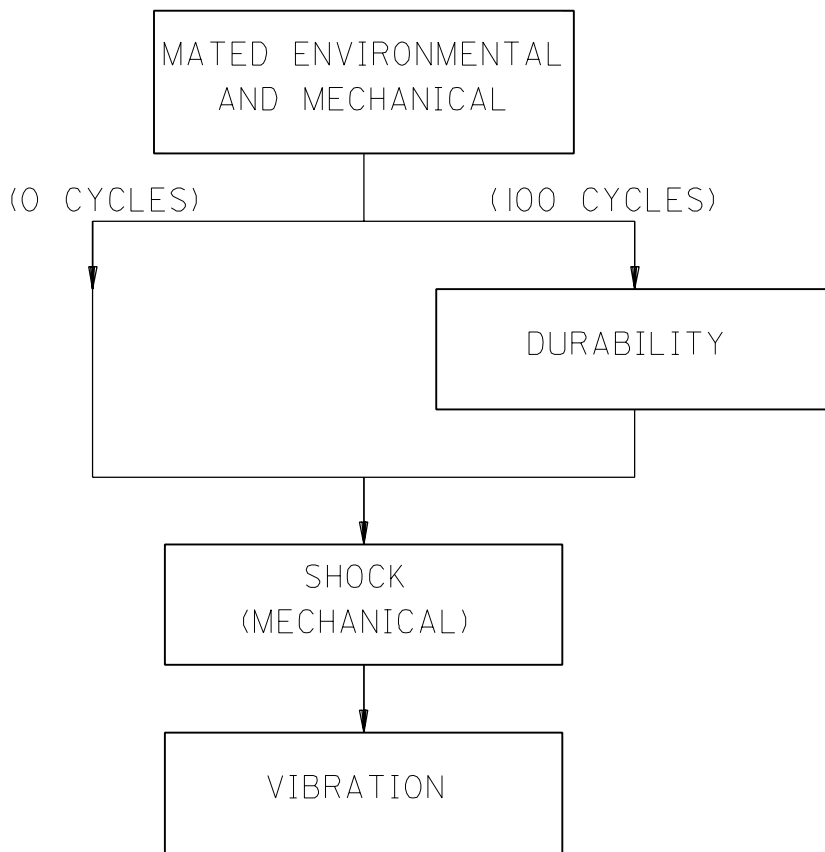
SHT.

7



MOLEX INCORPORATED  
LISLE, ILL. 60532 U.S.A.

PRODUCT SPECIFICATION  
1.0mm BOARD-TO-BOARD CONNECTORS  
PS-71436-9999



DRWG. NO.  
PS-71436-9999

REV.  
SHT.

FILE NAME  
PS71436X8.DGN

▽ = 0

▼ = 0

REVISE ONLY ON CAD SYSTEM

REV.

B

THIS DRAWING CONTAINS INFORMATION THAT IS PROPRIETARY TO MOLEX INC. AND SHOULD NOT BE USED WITHOUT WRITTEN PERMISSION.

SHT.

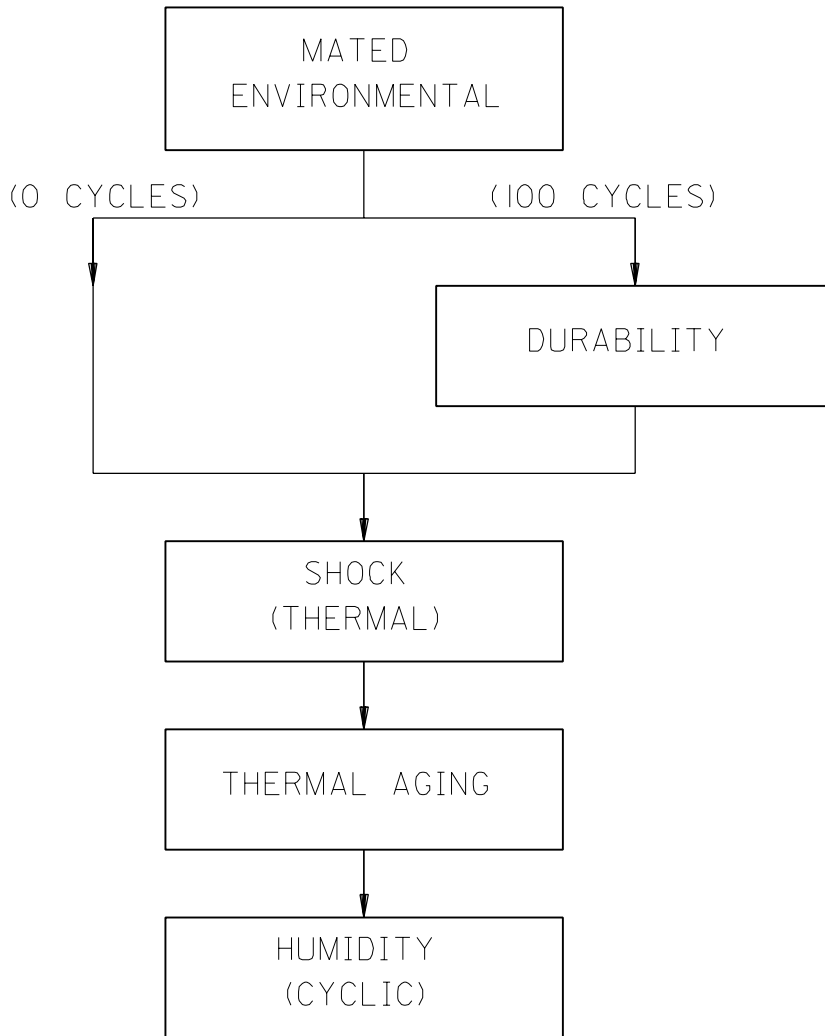
8

DRWG. NO.  
PS-71436-9999



MOLEX INCORPORATED  
LISLE, ILL. 60532 U.S.A.

PRODUCT SPECIFICATION  
1.0mm BOARD-TO-BOARD CONNECTORS  
PS-71436-9999



DRWG. NO.  
PS-71436-9999

REV.  
SHT.

FILE NAME  
PS71436X9.DGN

▽ = 0

▼ = 0

REVISE ONLY ON CAD SYSTEM

REV.

B

THIS DRAWING CONTAINS INFORMATION THAT IS PROPRIETARY TO MOLEX INC. AND SHOULD NOT BE USED WITHOUT WRITTEN PERMISSION.

SHT.

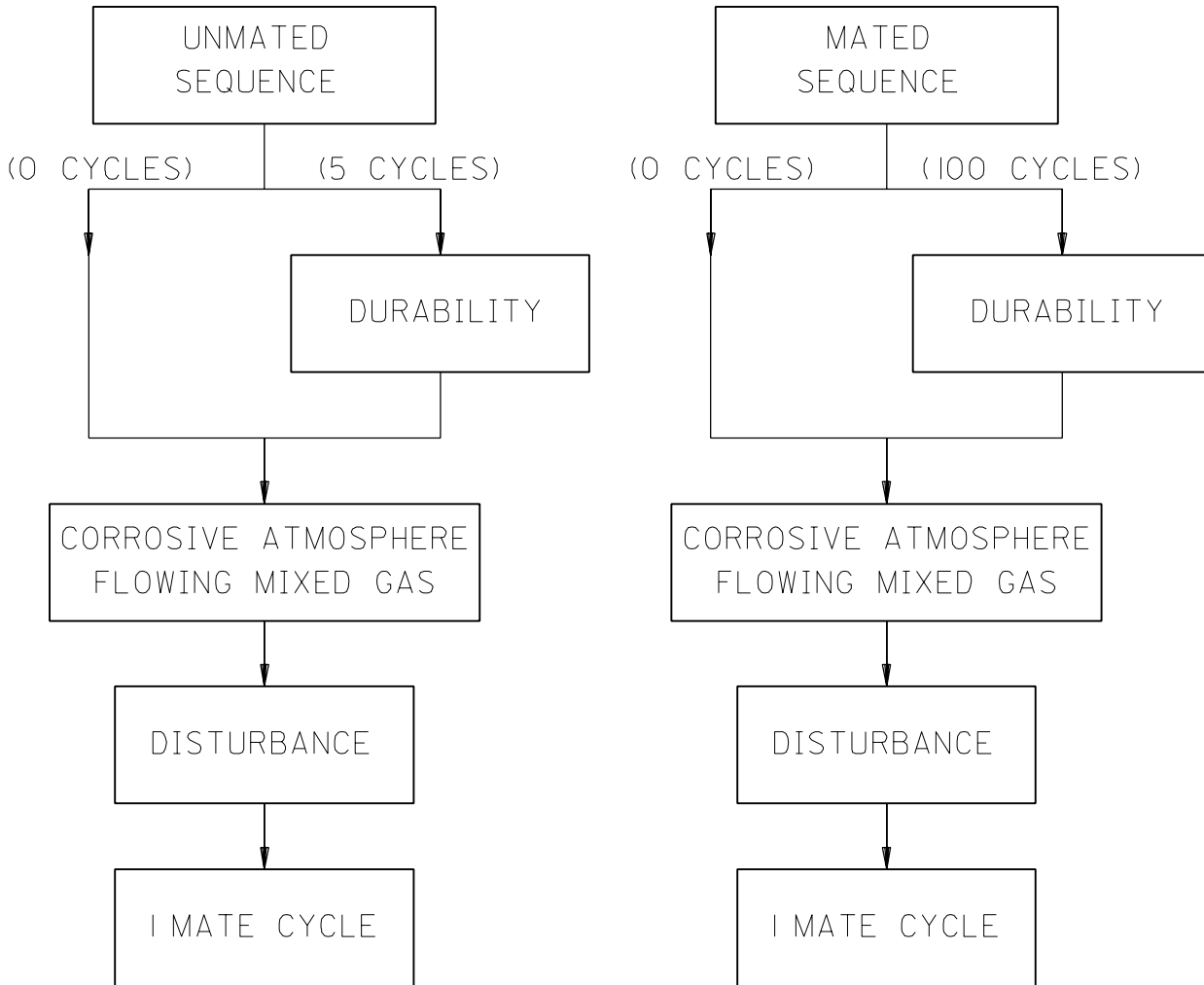
9

DRWG. NO.  
PS-71436-9999



MOLEX INCORPORATED  
LISLE, ILL. 60532 U.S.A.

PRODUCT SPECIFICATION  
1.0mm BOARD-TO-BOARD CONNECTORS  
PS-71436-9999



DRWG. NO.  
PS-71436-9999

REV.  
SHT.

FILE NAME  
PS7143610.DGN

▽ = 0

▼ = 0

REVISE ONLY ON CAD SYSTEM

REV.

B

THIS DRAWING CONTAINS INFORMATION THAT IS PROPRIETARY TO MOLEX INC. AND SHOULD NOT BE USED WITHOUT WRITTEN PERMISSION.

SHT.

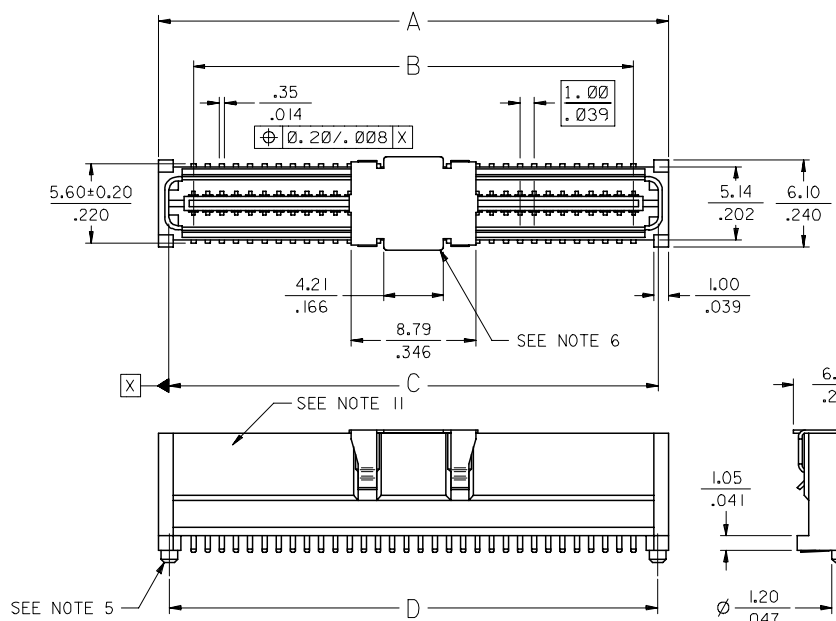
10

DRWG. NO.  
PS-71436-9999



13 12 11 10 9 8 7 6 5 4 3 2 1

J  
I  
H  
G  
F  
E  
D  
C  
B  
A

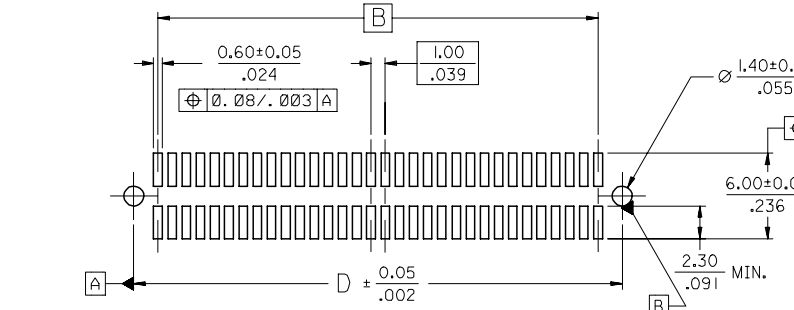
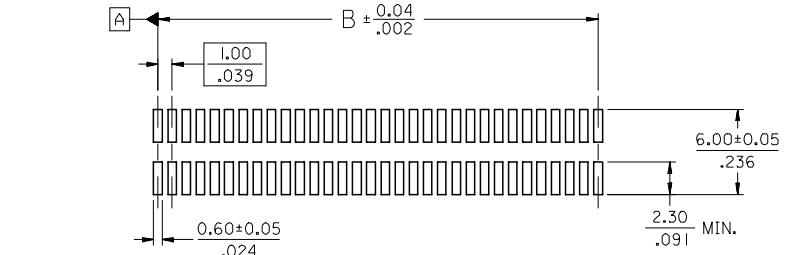


| CIRCUIT SIZE | DIM. A         | DIM. B         | DIM. C         | DIM. D         |
|--------------|----------------|----------------|----------------|----------------|
| 20           | 13.90<br>.547  | 9.00<br>.354   | 12.58<br>.495  | 12.40<br>.488  |
| 30           | 18.90<br>.744  | 14.00<br>.551  | 17.58<br>.692  | 17.40<br>.685  |
| 40           | 23.90<br>.941  | 19.00<br>.748  | 22.58<br>.889  | 22.40<br>.882  |
| 50           | 28.90<br>1.138 | 24.00<br>.945  | 27.58<br>1.086 | 27.40<br>1.079 |
| 60           | 33.90<br>1.335 | 29.00<br>1.142 | 32.58<br>1.283 | 32.40<br>1.276 |
| 64           | 35.90<br>1.413 | 31.00<br>1.220 | 34.58<br>1.361 | 34.40<br>1.354 |
| 70           | 38.90<br>1.531 | 34.00<br>1.339 | 37.58<br>1.480 | 37.40<br>1.472 |
| 80           | 43.90<br>1.728 | 39.00<br>1.535 | 42.58<br>1.676 | 42.40<br>1.669 |
| 84           | 45.90<br>1.807 | 41.00<br>1.614 | 44.58<br>1.755 | 44.40<br>1.748 |
| 90           | 48.90<br>1.925 | 44.00<br>1.732 | 47.58<br>1.873 | 47.40<br>1.866 |
| 100          | 53.90<br>2.122 | 49.00<br>1.929 | 52.58<br>2.070 | 52.40<br>2.063 |
| 110          | 58.90<br>2.319 | 54.00<br>2.126 | 57.58<br>2.267 | 57.40<br>2.260 |
| 120          | 63.90<br>2.516 | 59.00<br>2.323 | 62.58<br>2.464 | 62.40<br>2.457 |

NOTES:

- HOUSING MATERIAL: LIQUID CRYSTAL POLYMER (LCP) GLASS FILLED; UL RATING: 94V-0; COLOR: WHITE OR BLACK  
TERMINAL MATERIAL: PHOSPHOR BRONZE; 0.205/.0080 THICK  
VACUUM CAP MATERIAL: STAINLESS STEEL; 0.255/.0100 THICK
- PLATING FINISHES: SEE SHEET 2
- PRODUCT SPECIFICATION: PS-71436-999
- PACKAGING SPECIFICATIONS: REFER TO CHART ON SHEET 2.
- MATES WITH: 71439 SERIES. SEE SHEET 2 FOR MATING VIEW AND STACK HEIGHT.
- PEGS ARE OPTIONAL. REFER TO CHART ON SHEET 2.
- VACUUM PICK & PLACE CAP IS OPTIONAL. REFER TO CHART ON SHEET 2.
- THIS PART CONFORMS TO EIA STANDARD 700 AAAB FOR 1.0mm TWO-PART CONNECTORS FOR USE WITH PARALLEL PRINTED BOARDS.
- COPLANARITY OF SMT TAILS: 0.10/.004 MAX.
- 64-CIRCUIT PLUG ASSEMBLY WITH PEGS AND VACUUM CAP SHOWN FOR ILLUSTRATION PURPOSES ONLY.
- DIMENSIONS ARE IN mm/IN. INCH DIMENSIONS SHOWN FOR REFERENCE ONLY.
- ASSEMBLY TO HAVE DATE CODE: XX XX  
WEEK \_\_\_\_\_ YEAR

|     |     |
|-----|-----|
| 2   | J   |
| 1   | J   |
| SHT | REV |



RECOMMENDED PCB LAYOUT (WITH AND WITHOUT PEGS)

RECOMMENDED PCB THICKNESS:  $1.00 \pm 0.10 / .039 \pm .004$  MIN.

|                         |                 |
|-------------------------|-----------------|
| MODIFY PACKAGING        | QUALITY SYMBOLS |
| FC NO: UCP2006-2840     | $\nabla=0$      |
| DRW:MS/BARRA 2006/06/12 | $\nabla=0$      |
| CHKD:BBARKER 2006/06/12 |                 |
| APPR:SMILLER 2006/06/12 |                 |
| REV                     | DESCRIPTION     |

|  |        |
|--|--------|
| GENERAL TOLERANCES (UNLESS SPECIFIED)                |        |
| mm   | INCH   |
| 4 PLACES ± ---                                       | ± ---  |
| 3 PLACES ± ---                                       | ± .005 |
| 2 PLACES ± 0.13                                      | ± .01  |
| 1 PLACE ± 0.25                                       | ± ---  |
| ANGULAR ±1/2°  |        |
| DRAFT WHERE APPLICABLE MUST REMAIN WITHIN DIMENSIONS |        |

|                 |            |
|-----------------|------------|
| DIMENSION STYLE |            |
| MM/IN           |            |
| DRAWN BY        | DATE       |
| REED            | 1995/03/23 |
| CHECKED BY      | DATE       |
| REED            | 1995/01/23 |
| APPROVED BY     | DATE       |
| BIXLER          | 1995/03/23 |
| MATERIAL NO.    |            |
| SIZE            | C          |

|   |                |                        |
|---|----------------|------------------------|
| SCALE   | DESIGN UNITS   | THIRD ANGLE PROJECTION |
| 4:1   | INCH           |                        |
| SALES ASSY, 1.0MM BOARD TO BOARD PLUG CONNECTOR 4.30/1.69 STACK HEIGHT  |                |                        |
| MOLEX INCORPORATED  |                |                        |
| MATERIAL NO.  | DOCUMENT NO.   | SHEET NO.              |
| SEE TABLE   | SDA-71436-2*** | 1 OF 2                 |
| THIS DRAWING CONTAINS INFORMATION THAT IS PROPRIETARY TO MOLEX INCORPORATED AND SHOULD NOT BE USED WITHOUT WRITTEN PERMISSION |                |                        |

12 11 10 9 8 7 6 5 4 3 2 1

WHITE (NATURAL) MATERIAL

| CIRCUIT SIZE | PLUG ASSEMBLY ITEM NUMBER | PEGS | CONTACT PLATING (SEE PLATING NOTES) | PICK & PLACE CAP | PACKAGING SPEC. NUMBER | PACKAGING TYPE |
|--------------|---------------------------|------|-------------------------------------|------------------|------------------------|----------------|
| 64           | 71436-2164                | YES  | 30 GOLD                             | NO               | PK-70873-0607          | TUBE           |
| 64           | 71436-2364                | YES  | 30 GOLD                             | YES              | PK-70873-0607          | TUBE           |
| 64           | 71436-2464                | YES  | 30 GOLD                             | YES              | PK-70873-063           | TAPE & REEL    |
| 64           | 71436-2564                | NO   | 30 GOLD                             | NO               | PK-70873-0606          | TUBE           |
| 64           | 71436-2764                | NO   | 30 GOLD                             | YES              | PK-70873-0606          | TUBE           |
| 64           | 71436-2864                | NO   | 30 GOLD                             | YES              | PK-70873-063           | TAPE & REEL    |
| 64           | 71436-2264                | NO   | 50 GOLD                             | YES              | PK-70873-063           | TAPE & REEL    |

PLATING NOTES:

30 GOLD: SELECTIVE GOLD (Au) IN THE CONTACT AREA;  
 THICKNESS = 0.76 MICROMETERS (30 MICROINCHES) MINIMUM;  
 SELECTIVE TIN (Sn) IN THE PC TAIL AREA;  
 THICKNESS = 1.88 MICROMETERS (75 MICROINCHES) MINIMUM;  
 NICKEL UNDERPLATE OVERALL.

50 GOLD: SELECTIVE GOLD (Au) IN THE CONTACT AREA;  
 THICKNESS = 1.27 MICROMETERS (50 MICROINCHES) MINIMUM;  
 SELECTIVE TIN (Sn) IN THE PC TAIL AREA;  
 THICKNESS = 1.88 MICROMETERS (75 MICROINCHES) MINIMUM;  
 NICKEL UNDERPLATE OVERALL.

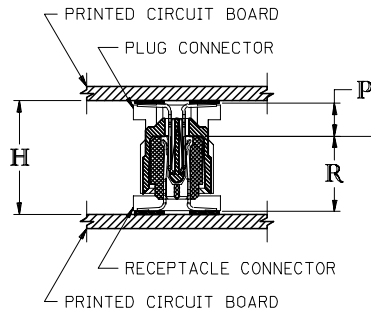
\*THE PRIMARY SHIPPING CARTON WILL BE LABELED "COMPLIANT TO  
 RoHS DIRECTIVE 2002/95/EC AND ELV ANNEX II OF DIRECTIVE 2000/53/EC".  
 CARTONS WITHOUT THIS LABEL MAY CONTAIN PRODUCT WITH LEAD.

BLACK MATERIAL WITH PICK & PLACE CAP

| CIRCUIT SIZE | PLUG ASSEMBLY ITEM NUMBER | PEGS | CONTACT PLATING (SEE NOTES PAGE2) | PICK & PLACE CAP | PACKAGING SPEC. NUMBER | PACKAGING TYPE |
|--------------|---------------------------|------|-----------------------------------|------------------|------------------------|----------------|
| 64           | 71436-2964                | NO   | 30 GOLD                           | YES              | PK-70873-063           | TAPE & REEL    |
|              |                           |      |                                   |                  |                        |                |

RECOMMENDED PLUG/RECEPTACLE COMBINATION FOR  
 MATED STACK HEIGHT PER EIA STANDARD 700 AAAB

| MATED STACK HEIGHT | RECEPTACLE HEIGHT | RECEPTACLE SERIES NO. | PLUG HEIGHT | PLUG SERIES NO. |
|--------------------|-------------------|-----------------------|-------------|-----------------|
| 10.00/.394         | 5.30/.209         | 71439-0***            | 4.30/.169   | 71436-2***      |
| 12.00/.472         | 7.30/.287         | 71439-1***            | 4.30/.169   | 71436-2***      |
| 13.00/.512         | 8.30/.327         | 71439-2***            | 4.30/.169   | 71436-2***      |
| 15.00/.591         | 10.30/.406        | 71439-3***            | 4.30/.169   | 71436-2***      |



PLUG STACK HEIGHT  
 + RECEPTACLE STACK HEIGHT  
 + 0.40/.016 (SOLDER PASTE ALLOWANCE)  
 = MATED STACK HEIGHT

BOTTOMING SURFACE

P = PLUG STACK HEIGHT  
 R = RECEPTACLE STACK HEIGHT  
 H = MATED STACK HEIGHT

|  |                          |                                       |   |                 |                    |  |  |
|--|--------------------------|---------------------------------------|---|-----------------|--------------------|--|--|
| MODIFY PACKAGING<br>EC NO: UCP2006-2840<br>DRWN:MS/BARRA 2006/06/12<br>CHKD:BBARKER 2006/06/12<br>APPR:SMILLER 2006/06/12<br>REVISIONS | QUALITY SYMBOLS          | GENERAL TOLERANCES (UNLESS SPECIFIED) | DIMENSION STYLE   | SCALE           | DESIGN UNITS       | THIRD ANGLE PROJECTION   |  |
|  | $\nabla=0$<br>$\nabla=0$ | mm INCH                               | MM/IN   | ---             | INCH               |  |  |
|  |                          | 4 PLACES ± --- ± ---                  | DRAWN BY DATE   | REED 1995/03/23 | TITLE              | SALES ASSY, 1.0MM BOARD TO BOARD PLUG CONNECTOR 4.30/.169 STACK HEIGHT |  |
|  |                          | 3 PLACES ± --- ± ---                  | CHECKED BY DATE   | REED 1995/03/23 | MOLEX INCORPORATED |  |  |
|  | 2 PLACES ± --- ± ---     | APPROVED BY DATE                      | BIXLER 1995/03/23   | MATERIAL NO.    | DOCUMENT NO.       | SHEET NO.  |  |
|  | 1 PLACE ± --- ± ---      | ANGULAR ±1/2°                         |   | SEE TABLE       | SDA-71436-2***     | 2 OF 2   |  |
| DRAFT WHERE APPLICABLE MUST REMAIN WITHIN DIMENSIONS   |                          |                                       | THIS DRAWING CONTAINS INFORMATION THAT IS PROPRIETARY TO MOLEX INCORPORATED AND SHOULD NOT BE USED WITHOUT WRITTEN PERMISSION |                 |                    |  |  |