

Distributed by:

JAMECO[®]
ELECTRONICS

www.Jameco.com ♦ 1-800-831-4242

The content and copyrights of the attached
material are the property of its owner.

Jameco Part Number 884791

FEATURES AND SPECIFICATIONS

Features and Benefits

- Mated heights: 8, 9, 10, 11, 12, 13, 14 and 15mm
- Size 64 circuits
- Leaf-style design protects pins
- Antiflux design
- Low insertion force
- High-temperature LCP housing for use with reflow solder processes

Reference Information

Product Specification: 71436-9999
 Packaging: Tube or tape and reel
 UL File No.: E29179
 Mates With: [71436](#)
 Designed In: Millimeters

Electrical

Voltage: 100V
 Current: 1.0A
 Contact Resistance: 30mΩ max.
 Dielectric Withstanding Voltage: 250V
 Insulation Resistance: 1000 MΩ min.

Mechanical

Contact Retention to Housing: 0.4kgf min.
 Mating Force: 50g max. per contact
 Unmating Force: 25g min. per contact

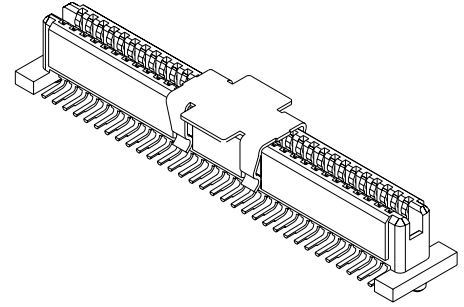
Physical

Housing: Glass-filled LCP, UL 94V-0
 Contact: Phosphor Bronze
 Plating: 30μ" Gold min.
 Operating Temperature: -55 to +85°C



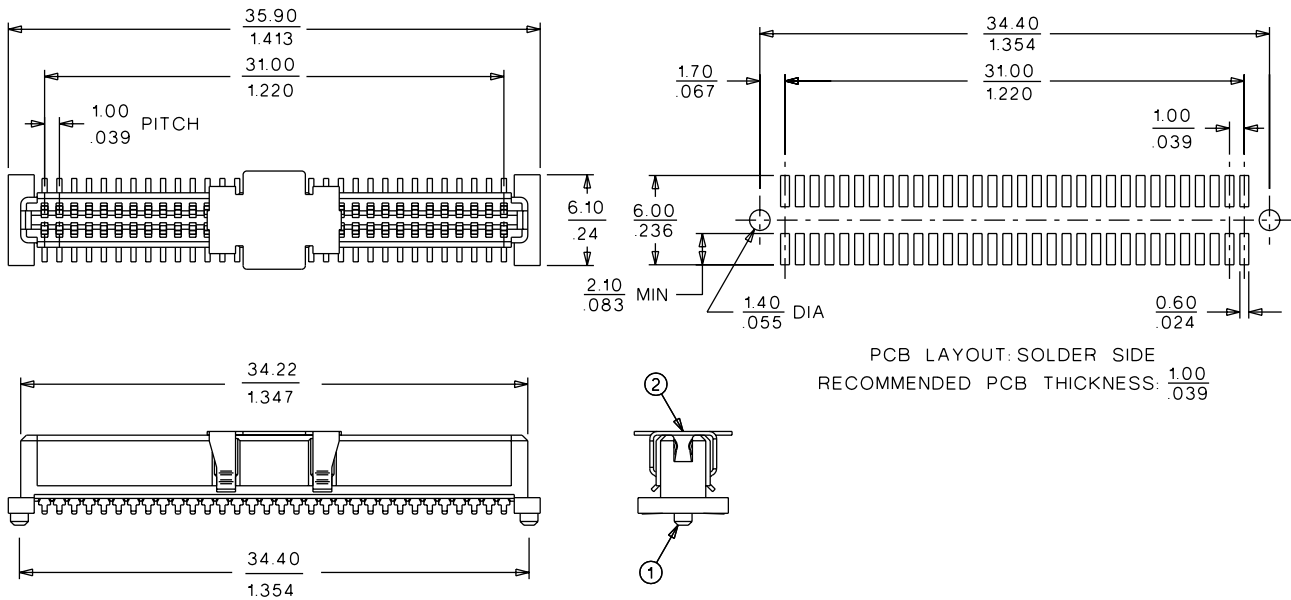
1.00mm (.039") Mezzanine IEEE 1386 Board-to-Board Receptacle

71439 Dual Row, SMT Vertical Stacking



0.40 to 1.60mm (.016 to .063") Pitch

CATALOG DRAWING (FOR REFERENCE ONLY)



ORDERING INFORMATION AND DIMENSIONS

Circuits	Order No.				Mated Stack Height*
	Tube Pack (with PCB Pegs, without Pick and Place Cap)		Tape Pack (without PCB Pegs, with Pick and Place Cap)		
	Plug	Receptacle	Plug	Receptacle	
64	71436-0164	71439-0164	71436-0864	71439-0864	8.00 (.315)
	71436-1164	71439-0164	71436-1864	71439-0864	9.00 (.354)
	71436-2164	71439-0164	71436-2864	71439-0864	10.00 (.394)
	71436-1164	71439-1164	71436-1864	71439-1864	11.00 (.433)
	71436-2164	71439-1164	71436-2864	71439-1864	12.00 (.472)
	71436-2164	71439-2164	71436-2864	71439-2864	13.00 (.512)
	71436-1164	71439-3164	71436-1864	71439-3864	14.00 (.551)
	71436-2164	71439-3164	71436-2864	71439-3864	15.00 (.591)

* Recommended Plug/Receptacle combination for mated stack height per EIA standard 700 AAAB. Also per EIA standard, board stack height measured from facing surfaces of parallel circuit boards includes solder thickness of 0.1mm (.004") per side.

Note: Other options available such as PCB pegs in tape pack, and Pick and Place Cap in tube pack



PRODUCT SPECIFICATION
1.0mm BOARD-TO-BOARD CONNECTORS
PS-71436-9999

1.0 Scope:

This specification covers the 1.0mm pitch board-to-board plug and receptacle connectors.

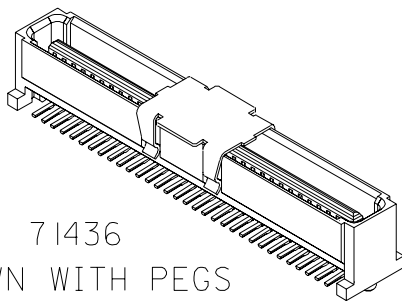
2.0 Product Description:

2.1 The 71436/71741 plug and the 71439/71742 receptacle connectors have been designed in accordance with EIA standard 700 AAAB for 1.0mm two-part connectors for use with parallel printed boards.

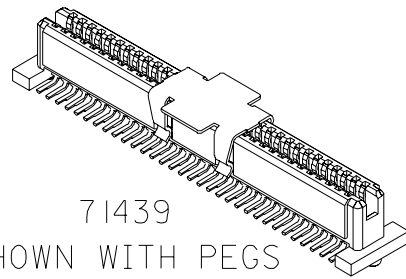
2.1.1 All 1.0mm connectors are available with or without locating pegs.

2.1.2 All 1.0mm connectors can be supplied with a vacuum cap for robotic placement.

2.1.3 71741 plug and 71742 receptacle have passive latches (two on each side) for added retention.



71436
SHOWN WITH PEGS
AND VACUUM CAP



71439
SHOWN WITH PEGS
AND VACUUM CAP

DRWG. NO.
PS-71436-9999

REV.
SHT.

FILE NAME
PS71436X1.DGN

© = 0 ▼ = 0

REVISE ONLY ON CAD SYSTEM

REV. B

THIS DRAWING CONTAINS INFORMATION THAT IS PROPRIETARY TO MOLEX INC. AND SHOULD NOT BE USED WITHOUT WRITTEN PERMISSION.

SHT. 1 OF 11

DRWG. NO.
PS-71436-9999



MOLEX INCORPORATED
LISLE, ILL. 60532 U.S.A.

PRODUCT SPECIFICATION
1.0mm BOARD-TO-BOARD CONNECTORS
PS-71436-9999

2.0 Product Description: (cont'd)

2.2 Product Name and Item Numbers
See figure 1 and table 1.

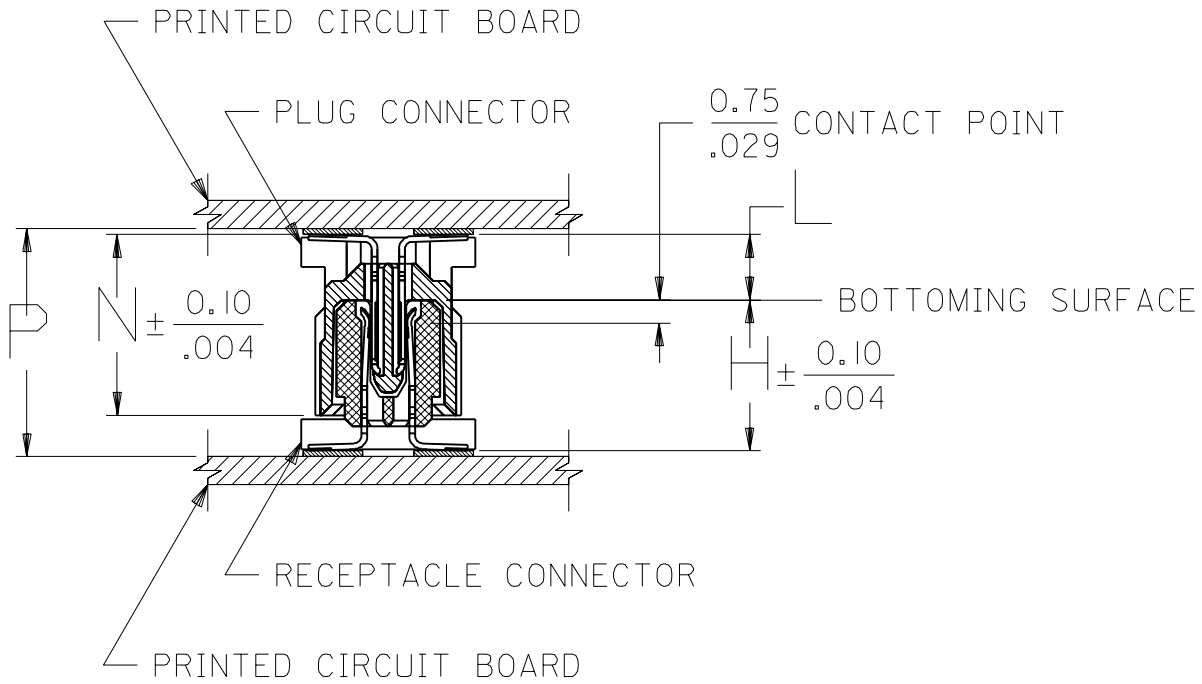


Figure 1

DRWG. NO.
PS-71436-9999

REV.
SHT.

FILE NAME
PS71436X2.DGN

$\nabla = 0$

$\blacktriangledown = 0$

REVISE ONLY ON CAD SYSTEM

REV.

A

THIS DRAWING CONTAINS INFORMATION THAT IS PROPRIETARY TO MOLEX INC. AND SHOULD NOT BE USED WITHOUT WRITTEN PERMISSION.

SHT.

2

DRWG. NO.
PS-71436-9999



MOLEX INCORPORATED
LISLE, ILL. 60532 U.S.A.

PRODUCT SPECIFICATION
1.0mm BOARD-TO-BOARD CONNECTORS
PS-71436-9999

2.0 Product Description: (cont'd)

2.2 Product Name and Item Numbers

PLUG CONNECTOR			RECEPTACLE CONNECTOR		STACK HT.
ITEM NO.	DIM. N	DIM. L	ITEM NO.	DIM. H	DIM. P
71436-0***	6.35/.250	2.30/.090	71439-0***	5.30/.209	8.00/.315
71436-1***	7.35/.289	3.30/.130	71439-0***	5.30/.209	9.00/.354
71436-2***	8.35/.329	4.30/.169	71439-0***	5.30/.209	10.00/.394
71741-0001	8.35/.329	4.30/.169	71742-0001	5.30/.209	10.00/.394
71436-1***	7.35/.289	3.30/.130	71439-1***	7.30/.287	11.00/.433
71436-2***	8.35/.329	4.30/.169	71439-1***	7.30/.287	12.00/.472
71436-2***	8.35/.329	4.30/.169	71439-2***	8.30/.327	13.00/.512
71436-1***	7.35/.289	3.30/.130	71439-3***	10.30/.406	14.00/.551
71436-2***	8.35/.329	4.30/.169	71439-3***	10.30/.406	15.00/.591

Table 1

2.3 Dimensions, Materials, and Platings:

See appropriate sales drawings for information on dimensions, materials, and platings.

DRWG. NO.
PS-71436-9999

REV.
SHT.

FILE NAME
PS71436X3.DGN

∇ = 0

▼ = 0

REVISE ONLY ON CAD SYSTEM

REV.

A

THIS DRAWING CONTAINS INFORMATION THAT IS PROPRIETARY TO MOLEX INC. AND SHOULD NOT BE USED WITHOUT WRITTEN PERMISSION.

SHT.

3

DRWG. NO.
PS-71436-9999



MOLEX INCORPORATED
LISLE, ILL. 60532 U.S.A.

PRODUCT SPECIFICATION
1.0mm BOARD-TO-BOARD CONNECTORS
PS-71436-9999

3.0 Applicable Documents and Specifications:

3.1 See sales drawings and other sections of this specification for necessary referenced documents and specifications.

3.2 Recognized Agency Approvals:

3.2.1 Underwriters Laboratories Inc.: Pending

4.0 Ratings:

4.1 Voltage: 250V r.m.s.(contact to contact)

4.2 Current (30°C temperature rise): 0.5 Ampere maximum, all circuits wired in series; 1.0 Ampere maximum, five adjacent circuits wired in series

4.3 Operating temperature range: -55°C to +85°C

5.0 Performance:

5.1 Electrical

Item	Test Condition	Requirement
Contact Resistance (Low Level)	Mate connectors, measure by dry circuit (20mV max., 10mA max.)	30 milliohms maximum, initial
Contact Resistance (Rated)	Mate connectors, measure contact resistance at rated current	15 milliohms maximum change from initial

DRWG. NO.
PS-71436-9999

REV.
SHT.

FILE NAME
PS71436X4.DGN

▽ = 0

▼ = 0

REVISE ONLY ON CAD SYSTEM

REV.

C

THIS DRAWING CONTAINS INFORMATION THAT IS PROPRIETARY TO MOLEX INC. AND SHOULD NOT BE USED WITHOUT WRITTEN PERMISSION.

SHT.

4

DRWG. NO.
PS-71436-9999



MOLEX INCORPORATED
LISLE, ILL. 60532 U.S.A.

PRODUCT SPECIFICATION
1.0mm BOARD-TO-BOARD CONNECTORS
PS-71436-9999

5.0 Performance: (cont'd)

5.1 Electrical

Item	Test Condition	Requirement
Insulation Resistance	Apply 250±50 VDC, measure resistance between adjacent terminals	1000 megohms minimum
Dielectric Withstanding Voltage	Apply 250 VAC for 1 minute between adjacent terminals	No breakdown

5.2 Mechanical

Item	Test Condition	Requirement
Terminal Retention Force	Apply axial force on terminal in housing at rate of 25±6mm (1±1/4in) per minute	3.9N (0.4Kgf) minimum
Mate and Un-mate Forces	Mate and un-mate connectors at rate of 25±6mm (1±1/4in) per minute	Mate Force: 60g X no. of circuits maximum Un-mate Force: 23g X no. of circuits, minimum
Durability	Mate connectors up to 100 cycles at rate of 10mm (0.40in) per second maximum; rest 30 seconds minimum (when unmated)	Maximum contact resistance change: 15 milliohms

DRWG. NO.
PS-71436-9999

DRWG. NO.
PS-71436-9999

REV.

SHT.

FILE NAME
PS71436X5.DGN

∇ = 0

▼ = 0

REVISE ONLY ON CAD SYSTEM

REV.

A

THIS DRAWING CONTAINS INFORMATION THAT IS PROPRIETARY TO MOLEX INC. AND SHOULD NOT BE USED WITHOUT WRITTEN PERMISSION.

SHT.

5



MOLEX INCORPORATED
LISLE, ILL. 60532 U.S.A.

PRODUCT SPECIFICATION
1.0mm BOARD-TO-BOARD CONNECTORS
PS-71436-9999

5.0 Performance: (cont'd)

5.2 Mechanical

Item	Test Condition	Requirement
Vibration	Amplitude: 1.9mm (.076in) peak-to-peak; Sweep: 10-55-10 Hz in one minute; Duration: 2 hours in each axis x, y and z	Maximum contact resistance change: 15 milliohms Discontinuity no greater than one microsecond
Mechanical Shock	490 m/s ² (50 g) peak sawtooth, 11 milliseconds duration; one shock each direction in each axis x, y, and z	Maximum contact resistance change: 15 milliohms Discontinuity no greater than one microsecond

5.3 Environmental

Item	Test Condition	Requirement						
Thermal Shock	Mated connectors exposed to 5 cycles of: <table border="1" style="margin-left: auto; margin-right: auto;"> <tr> <td>Temperature (°C)</td> <td>Duration (minutes)</td> </tr> <tr> <td>-40 +0, -3</td> <td>30</td> </tr> <tr> <td>+105 +3, -0</td> <td>30</td> </tr> </table>	Temperature (°C)	Duration (minutes)	-40 +0, -3	30	+105 +3, -0	30	Appearance: No damage Maximum contact resistance change: 15 milliohms
Temperature (°C)	Duration (minutes)							
-40 +0, -3	30							
+105 +3, -0	30							

DRWG. NO.
PS-71436-9999

REV.
SHT.

FILE NAME
PS71436X6.DGN

▽ = 0

▼ = 0

REVISE ONLY ON CAD SYSTEM

REV.

A

THIS DRAWING CONTAINS INFORMATION THAT IS PROPRIETARY TO MOLEX INC. AND SHOULD NOT BE USED WITHOUT WRITTEN PERMISSION.

SHT.

6

DRWG. NO.
PS-71436-9999



MOLEX INCORPORATED
 LISLE, ILL. 60532 U.S.A.

PRODUCT SPECIFICATION
1.0mm BOARD-TO-BOARD CONNECTORS
PS-71436-9999

5.0 Performance: (cont'd)

5.3 Environmental

Item	Test Condition	Requirement
Thermal Aging	Mated connectors exposed to +85°C for 250 hours	Appearance: No damage Maximum contact resistance change: 15 milliohms
Humidity (Steady State)	Mated connectors exposed to +40±2°C, 90-95%RH, for 240 hours per MIL-STD-202F, Method 103B, Test Condition A	Appearance: No damage Maximum contact resistance change: 15 milliohms
Humidity (Cyclic)	Test mated connectors per MIL-STD-202F, Method 106E, excluding steps 7a and 7b	Appearance: No damage Maximum contact resistance change: 15 milliohms
Temperature Rise and Current Cycling	Measure temperature rise of mated connectors at rated current after 96 hours, then after 45 minutes ON, 15 minutes OFF for 240 hours, and finally after 96 hours at rated current	Maximum temperature rise: 30°C over ambient Maximum contact resistance change: 15 milliohms
Mixed Flowing Gas	Environmental Class II, 7 days unmated	Maximum contact resistance change: 15 milliohms

DRWG. NO. PS-71436-9999

DRWG. NO. PS-71436-9999

REV.

SHT.

FILE NAME
PS71436X7.DGN

☐ = 0

▼ = 0

REVISE ONLY ON CAD SYSTEM

REV.

A

THIS DRAWING CONTAINS INFORMATION THAT IS PROPRIETARY TO MOLEX INC. AND SHOULD NOT BE USED WITHOUT WRITTEN PERMISSION.

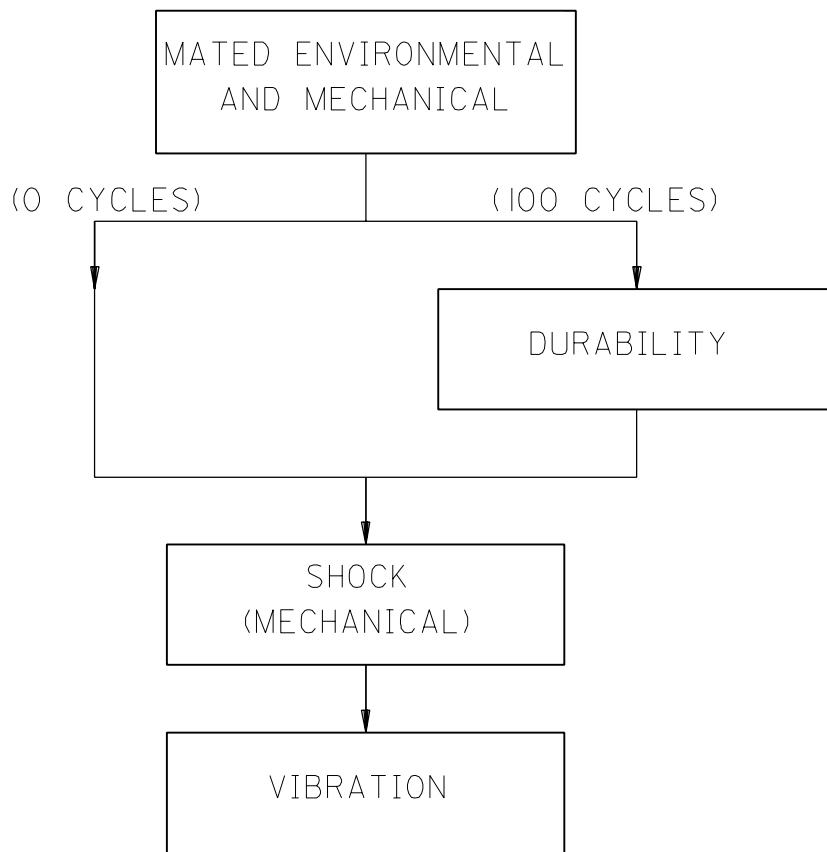
SHT.

7



MOLEX INCORPORATED
LISLE, ILL. 60532 U.S.A.

PRODUCT SPECIFICATION
1.0mm BOARD-TO-BOARD CONNECTORS
PS-71436-9999



DRWG. NO.
PS-71436-9999

REV.
SHT.

FILE NAME
PS71436X8.DGN

▽ = 0

▼ = 0

REVISE ONLY ON CAD SYSTEM

REV.

B

THIS DRAWING CONTAINS INFORMATION THAT IS PROPRIETARY TO MOLEX INC. AND SHOULD NOT BE USED WITHOUT WRITTEN PERMISSION.

SHT.

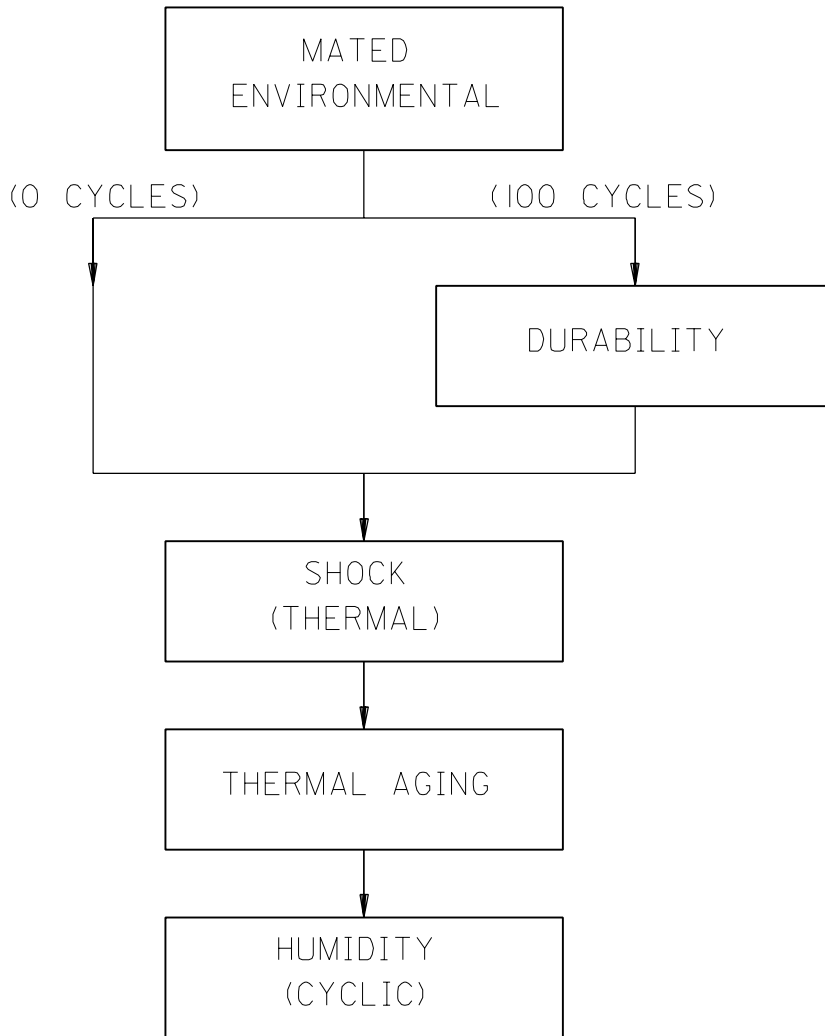
8

DRWG. NO.
PS-71436-9999



MOLEX INCORPORATED
LISLE, ILL. 60532 U.S.A.

PRODUCT SPECIFICATION
1.0mm BOARD-TO-BOARD CONNECTORS
PS-71436-9999



DRWG. NO.
PS-71436-9999

REV.
SHT.

FILE NAME
PS71436X9.DGN

▽ = 0

▼ = 0

REVISE ONLY ON CAD SYSTEM

REV.

B

THIS DRAWING CONTAINS INFORMATION THAT IS PROPRIETARY TO MOLEX INC. AND SHOULD NOT BE USED WITHOUT WRITTEN PERMISSION.

SHT.

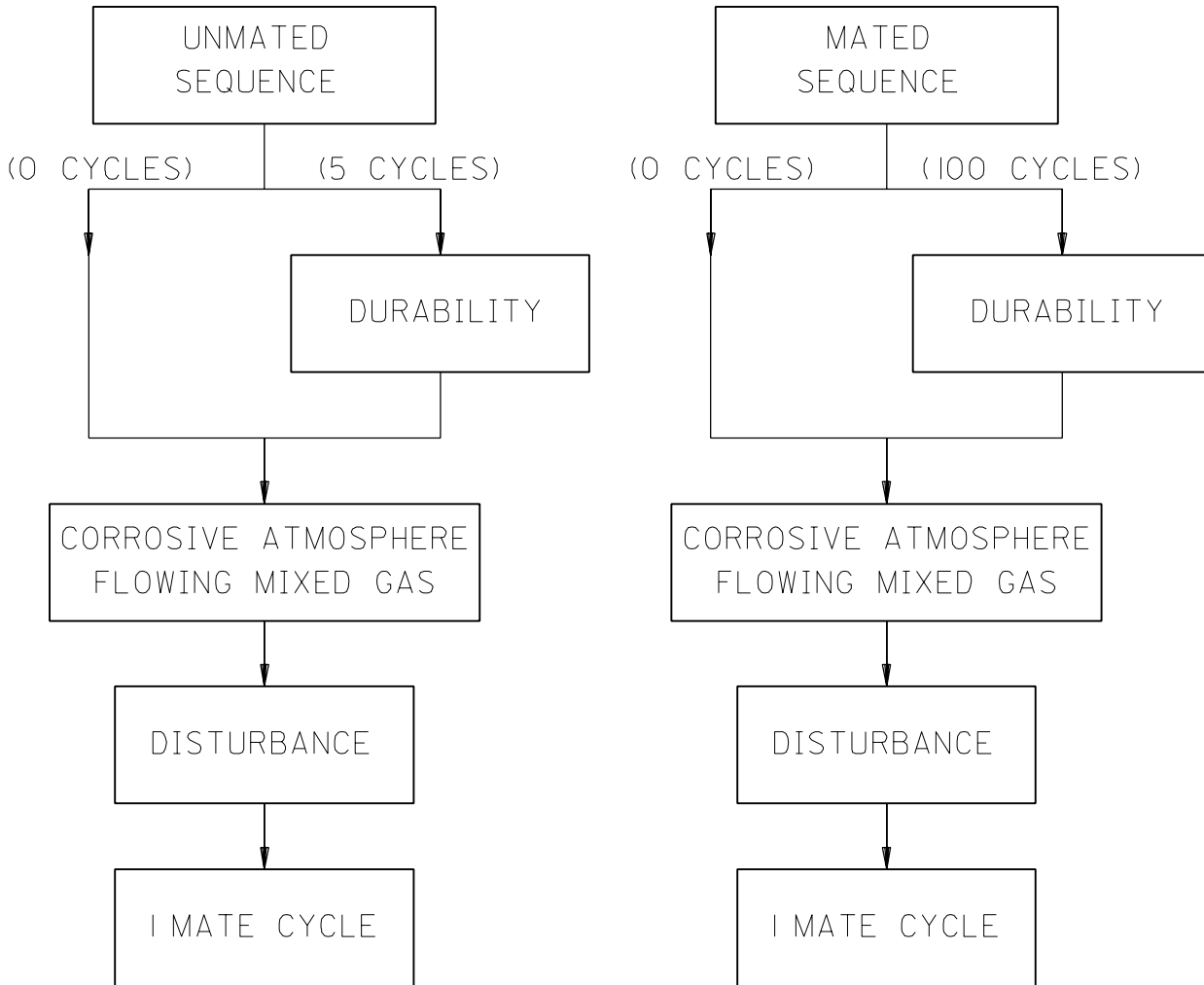
9

DRWG. NO.
PS-71436-9999



MOLEX INCORPORATED
LISLE, ILL. 60532 U.S.A.

PRODUCT SPECIFICATION
1.0mm BOARD-TO-BOARD CONNECTORS
PS-71436-9999



DRWG. NO.
PS-71436-9999

DRWG. NO.
PS-71436-9999

REV.
SHT.

FILE NAME
PS7143610.DGN

▽ = 0

▼ = 0

REVISE ONLY ON CAD SYSTEM

REV.

B

THIS DRAWING CONTAINS INFORMATION THAT IS PROPRIETARY TO MOLEX INC. AND SHOULD NOT BE USED WITHOUT WRITTEN PERMISSION.

SHT.

10



MOLEX INCORPORATED
LISLE, ILL. 60532 U.S.A.

PRODUCT SPECIFICATION
1.0mm BOARD-TO-BOARD CONNECTORS
PS-71436-9999

LTR.	REVISIONS
A	RELEASED PER ECR # U60531 10/30/95 REED
B	REVISED PER ECR # U70209 RESENDEZ 96/8/26
C	REVISED PER ECN # U80679 REED 97/09/22

DRWG. NO.
PS-71436-9999

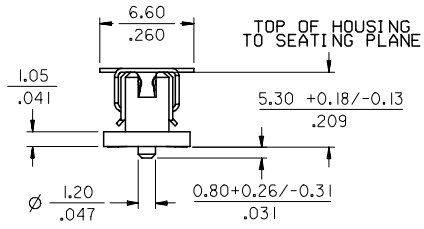
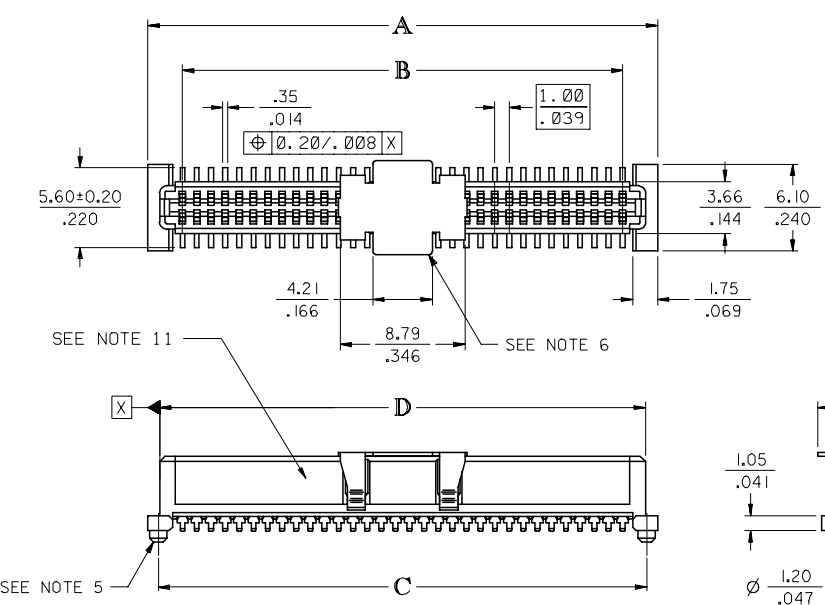
DRWG. NO.
PS-71436-9999

REV.	B	A	A	C	A	A	A	B	B	B	C
SHT.	1	2	3	4	5	6	7	8	9	10	11

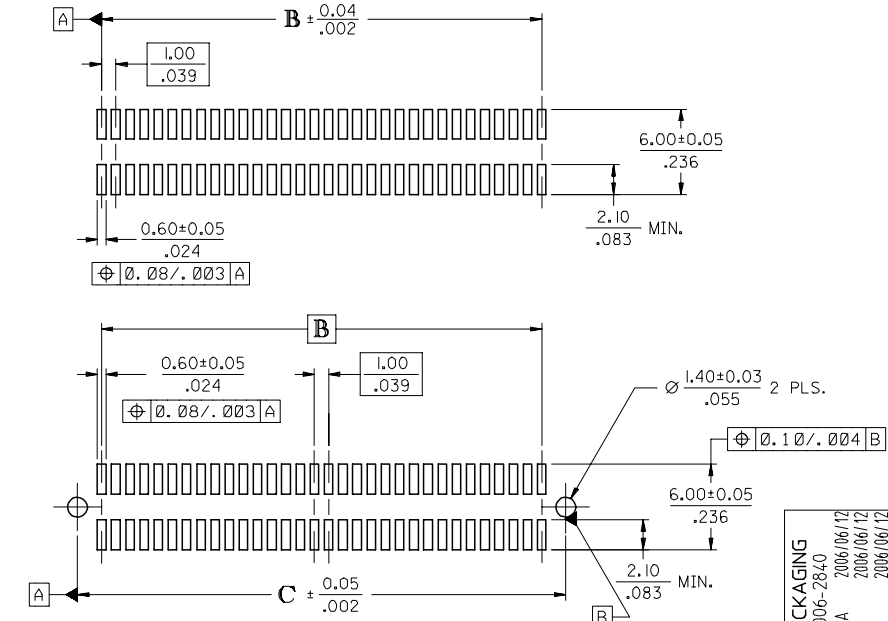
FILE NAME PS7143611.DGN	$\nabla = 0$	$\blacktriangledown = 0$	REVISE ONLY ON CAD SYSTEM	REV.	C
----------------------------	--------------	--------------------------	---------------------------	------	---

THIS DRAWING CONTAINS INFORMATION THAT IS PROPRIETARY TO MOLEX INC. AND SHOULD NOT BE USED WITHOUT WRITTEN PERMISSION.

SHT. 11



CIRCUIT SIZE	DIM. A	DIM. B	DIM. C	DIM. D
20	13.90 .547	9.00 .354	12.40 .488	12.22 .481
30	18.90 .744	14.00 .551	17.40 .685	17.22 .678
40	23.90 .941	19.00 .748	22.40 .882	22.22 .875
50	28.90 1.138	24.00 .945	27.40 1.079	27.22 1.072
60	33.90 1.335	29.00 1.142	32.40 1.276	32.22 1.269
64	35.90 1.413	31.00 1.220	34.40 1.354	34.22 1.347
70	38.90 1.531	34.00 1.339	37.40 1.472	37.22 1.465
80	43.90 1.728	39.00 1.535	42.40 1.669	42.22 1.662
84	45.90 1.807	41.00 1.614	44.40 1.748	44.22 1.741
90	48.90 1.925	44.00 1.732	47.40 1.866	47.22 1.859
100	53.90 2.122	49.00 1.929	52.40 2.063	52.22 2.056
110	58.90 2.319	54.00 2.126	57.40 2.260	57.22 2.253
120	63.90 2.516	59.00 2.323	62.40 2.457	62.22 2.450



**RECOMMENDED PCB LAYOUT
(WITH AND WITHOUT PEGS)**
RECOMMENDED PCB THICKNESS: 1.00±0.10/.039±.004

NOTES:

- HOUSING MATERIAL: GLASS FILLED THERMOPLASTIC; UL 94V-0; SEE SHEET 2 FOR COLOR. TERMINAL MATERIAL: PHOSPHOR BRONZE; 0.205/.0080 THICK VACUUM CAP MATERIAL: STAINLESS STEEL; 0.255/.0100 THICK
- CONTACT PLATING FINISH: REFER TO CHART ON SHEET 2
- THIS PART, WHEN MATED WITH MOLEX 1.0mm PLUG CONNECTOR SERIES 71439, CONFORMS TO MOLEX PRODUCT SPECIFICATION PS-71436-9999. REFER TO CHART ON SHEET 2 FOR MATED STACK HEIGHTS FOR THIS RECEPTACLE.
- PACKAGING SPECIFICATIONS: REFER TO CHART ON SHEET 2.
- PEGS ARE OPTIONAL. REFER TO CHART ON SHEET 2.
- VACUUM PICK & PLACE CAP IS OPTIONAL. REFER TO CHART ON SHEET 2.
- THIS PART CONFORMS TO EIA STANDARD 700 AAAB FOR 1.0mm TWO-PART CONNECTORS FOR USE WITH PARALLEL PRINTED BOARDS.
- COPLANARITY OF SMT TAILS: 0.10 MM/.004 INCH MAXIMUM
- 64-CIRCUIT RECEPTACLE ASSEMBLY WITH PEGS AND VACUUM CAP SHOWN FOR ILLUSTRATION PURPOSES ONLY.
- INCH DIMENSIONS SHOWN FOR REFERENCE ONLY.
- ASSEMBLY TO HAVE DATE CODE: XX XX
WEEK _____ YEAR

2	K
1	K
SHT	REV

MODIFY PACKAGING EC NO: UCP2006-2840 DRAWN BY: BARRA 2006/06/12 CHKD: BARKER 2006/06/12 APPR: SMILLER 2006/06/12	QUALITY SYMBOLS ▽=0 ▽=0	GENERAL TOLERANCES (UNLESS SPECIFIED) mm INCH 4 PLACES ± --- ± --- 3 PLACES ± --- ± .005 2 PLACES ± 0.13 ± .01 1 PLACE ± 0.25 ± --- ANGULAR ±1/2°	DIMENSION STYLE MM/IN DRAWN BY: REED DATE: 1995/03/23 CHECKED BY: REED DATE: 1995/03/23 APPROVED BY: BIXLER DATE: 1995/03/23	SCALE: 4:1 DESIGN UNITS: INCH THIRD ANGLE PROJECTION	TITLE: SALES ASSY, 10MM BOARD TO BOARD RECEPTOR 5.30/.209 HIGH MOLEX MOLEX INCORPORATED
		DRAFT WHERE APPLICABLE MUST REMAIN WITHIN DIMENSIONS	MATERIAL NO.: SEE TABLE DOCUMENT NO.: SDA-71439-0*** SHEET NO.: 1 OF 2		
		THIS DRAWING CONTAINS INFORMATION THAT IS PROPRIETARY TO MOLEX INCORPORATED AND SHOULD NOT BE USED WITHOUT WRITTEN PERMISSION			
		SIZE C			

WHITE (NATURAL) MATERIAL

PART NUMBER	CIRCUIT SIZE	CONTACT PLATING SEE NOTE BELOW CHARTS	PEGS	PICK & PLACE CAP	PACKAGING SPEC. NUMBER	PACKAGING TYPE
71439-0164	64	30 GOLD	YES	NO	PK-70873-0601	TUBE
71439-0264	64	50 GOLD	NO	YES	PK-70873-063	TAPE & REEL
71439-0364	64	30 GOLD	YES	YES	PK-70873-0607	TUBE
71439-0464	64	30 GOLD	YES	YES	PK-70873-063	TAPE & REEL
71439-0564	64	30 GOLD	NO	NO	PK-70873-0683	TUBE
71439-0764	64	30 GOLD	NO	YES	PK-70873-0606	TUBE
71439-0864	64	30 GOLD	NO	YES	PK-70873-063	TAPE & REEL

BLACK MATERIAL WITH MATTE PICK & PLACE CAP

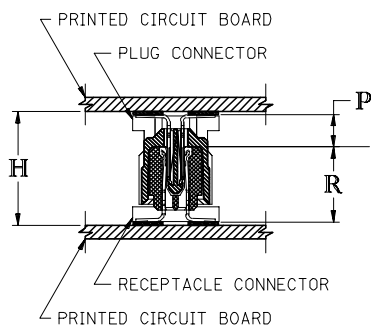
PART NUMBER	CIRCUIT SIZE	CONTACT PLATING SEE NOTE BELOW CHARTS	PEGS	PICK & PLACE CAP	PACKAGING SPEC. NUMBER	PACKAGING TYPE
71439-0964	64	30 GOLD	NO	YES	PK-70873-063	TAPE & REEL

CONTACT PLATING:

30 GOLD - 0.76 MICROMETER/30 MICROINCH MINIMUM GOLD IN CONTACT AREA AND 1.91 MICROMETER/75 MICROINCH MINIMUM TIN IN SOLDER TAIL AREA. NICKEL UNDERPLATE OVER ENTIRE TERMINAL.

50 GOLD - 1.27 MICROMETER/50 MICROINCH MINIMUM GOLD IN CONTACT AREA AND 1.91 MICROMETER/75 MICROINCH MINIMUM TIN IN SOLDER TAIL AREA. NICKEL UNDERPLATE OVER ENTIRE TERMINAL.

*THE PRIMARY SHIPPING CARTON WILL BE LABELED 'COMPLIANT TO RoHS DIRECTIVE 2002/95/EC AND ELV ANNEX II OF DIRECTIVE 2000/53/EC'. CARTONS WITHOUT THIS LABEL MAY CONTAIN PRODUCT WITH LEAD.



PLUG STACK HEIGHT
+ RECEPTACLE STACK HEIGHT
+ 0.40/.016 (SOLDER PASTE ALLOWANCE)
= MATED STACK HEIGHT

BOTTOMING SURFACE

P = PLUG STACK HEIGHT
R = RECEPTACLE STACK HEIGHT
H = MATED STACK HEIGHT

RECOMMENDED PLUG/RECEPTACLE COMBINATION FOR MATED STACK HEIGHT PER EIA STANDARD 700 AAAB

MATED STACK HEIGHT	RECEPTACLE HEIGHT	RECEPTACLE SERIES NO.	PLUG HEIGHT	PLUG SERIES NO.
8.00/.315	5.30/.209	71439-0***	2.30/.090	71436-0***
9.00/.354	5.30/.209	71439-0***	3.30/.130	71436-1***
10.00/.394	5.30/.209	71439-0***	4.30/.169	71436-2***

MODIFY PACKAGING EC NO. UCP2006-2840 DRAWN BY: BARRA 2006/06/12 CHKD: BARKER 2006/06/12 APPR: SMILLER 2006/06/12	QUALITY SYMBOLS ▽=0 ▽=0	GENERAL TOLERANCES (UNLESS SPECIFIED)		DIMENSION STYLE MM/IN		SCALE ---	DESIGN UNITS INCH	THIRD ANGLE PROJECTION			
		4 PLACES ± --- ± ---	REED DATE 1995/03/23	SALES ASSY, 10MM BOARD TO BOARD RECEPTOR CONNECTOR 5.30/.209 HIGH							
		3 PLACES ± --- ± ---	CHECKED BY DATE REED 1995/03/23	MOLEX INCORPORATED							
		2 PLACES ± --- ± ---	APPROVED BY DATE BIXLER 1995/03/23	MATERIAL NO. SDA-71439-0*** SHEET NO. 2 OF 2							
DRAFT WHERE APPLICABLE MUST REMAIN WITHIN DIMENSIONS		ANGULAR ±1/2°		SEE TABLE		THIS DRAWING CONTAINS INFORMATION THAT IS PROPRIETARY TO MOLEX INCORPORATED AND SHOULD NOT BE USED WITHOUT WRITTEN PERMISSION					