

Distributed by:

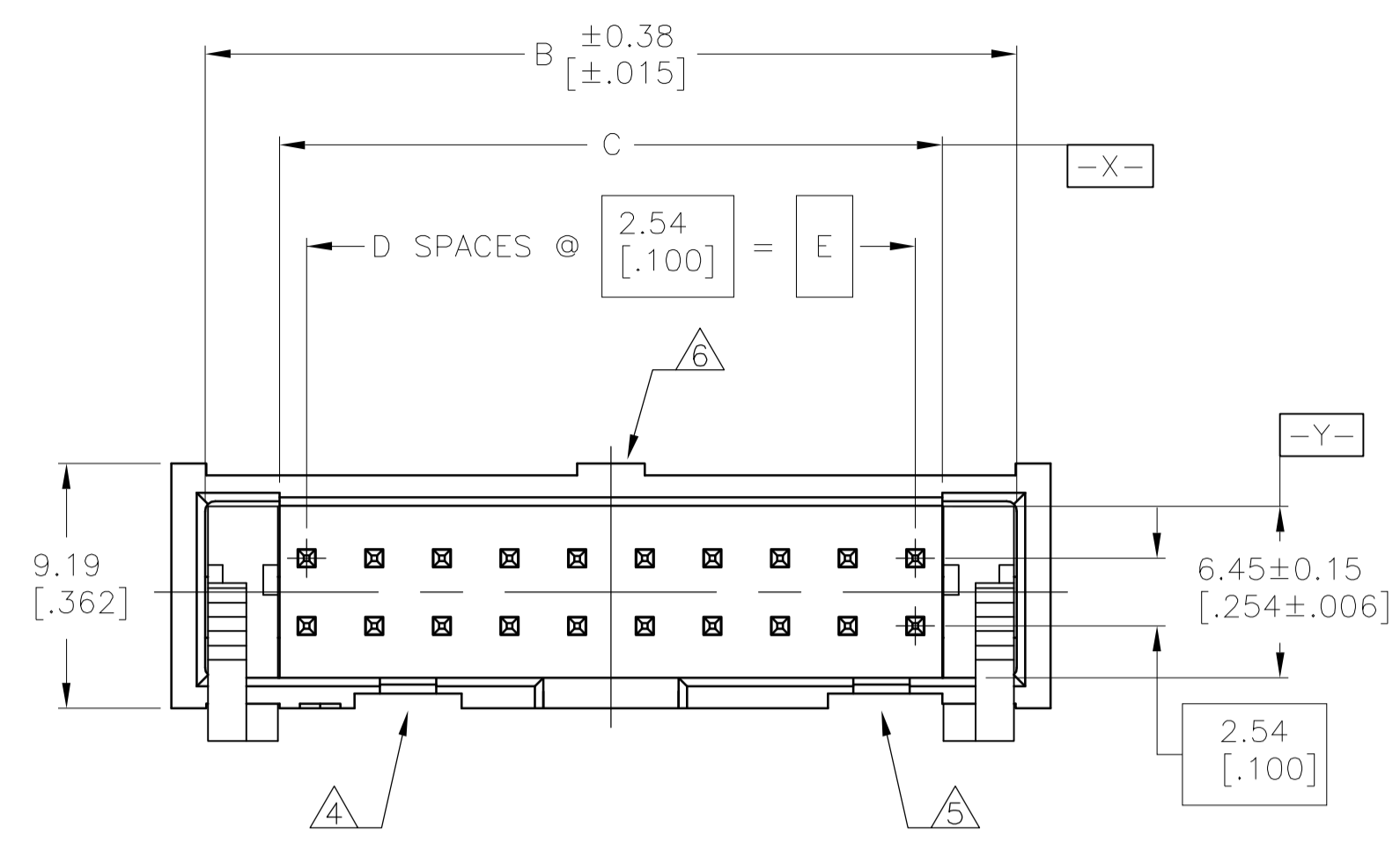
**JAMECO**<sup>®</sup>  
ELECTRONICS

**www.Jameco.com ♦ 1-800-831-4242**

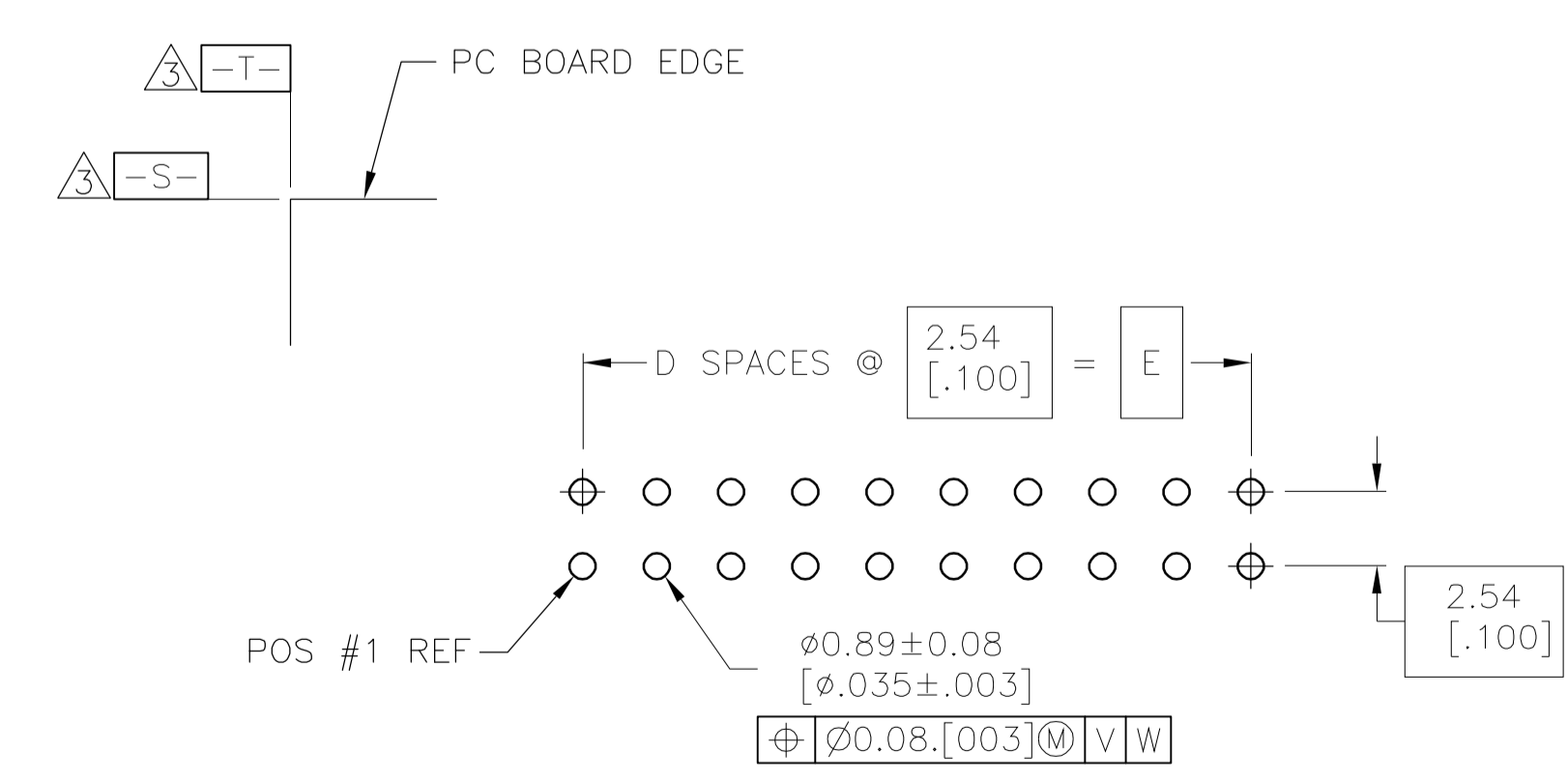
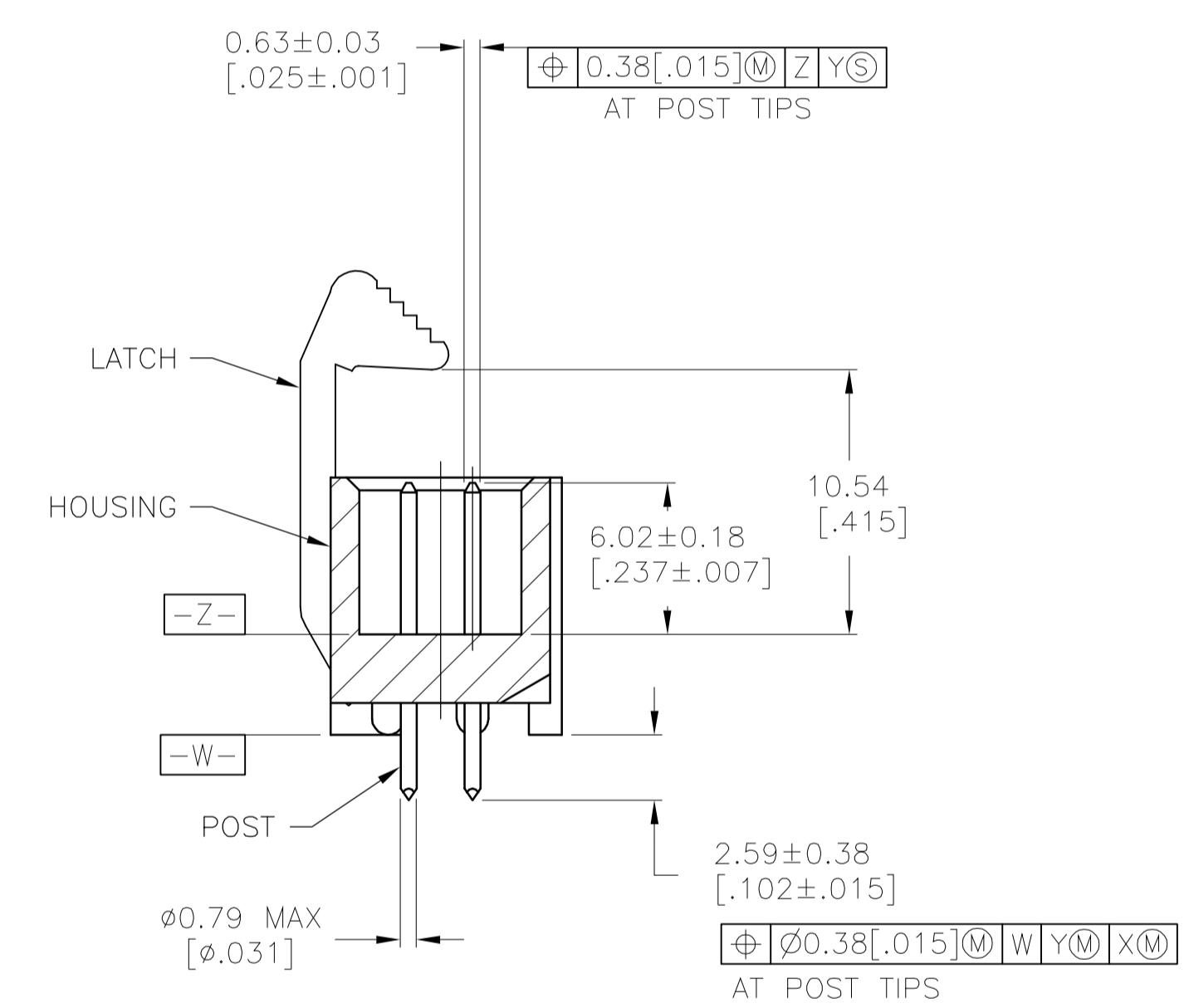
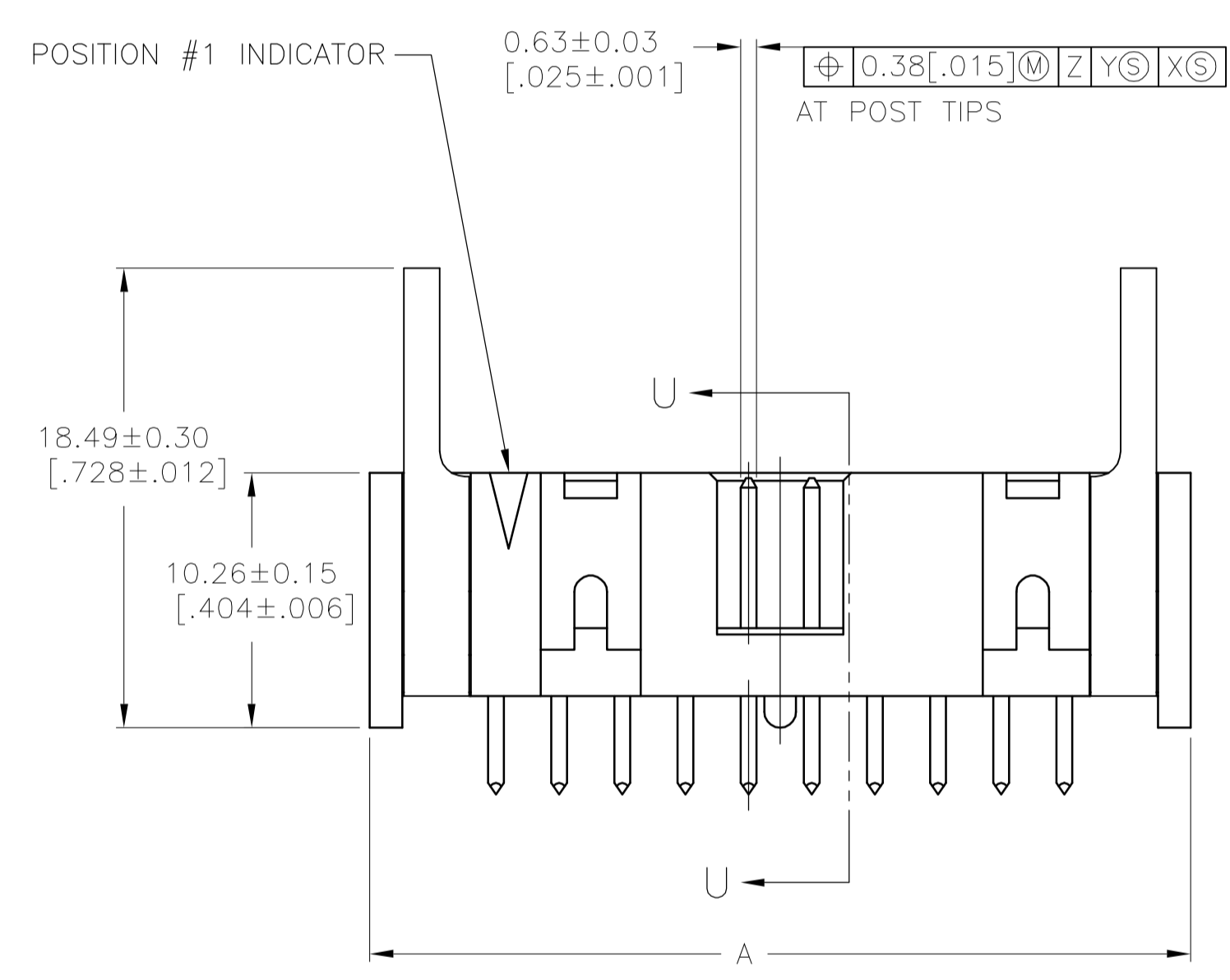
The content and copyrights of the attached  
material are the property of its owner.

Jameco Part Number 888513

LOC		DIST		REVISIONS					
GP	00	REV	DATE	BY	APP'D	REV	DATE	BY	APP'D
A1		REVISED PER ECO-05-013902	07AUG06	JDP	SLB				



- ① HOUSING: PBT, UL94V-0, COLOR: (SEE TABLE).  
POSTS: PHOSPHOR BRONZE.  
LATCHES: ZINC ALLOY.
- ② POSTS: 0.00076[.000030] MIN GOLD ON MATING AREA, 0.00254[.000100] MIN TIN ON SOLDER END, ALL OVER 0.00127[.000050] MIN NICKEL ON ENTIRE POST.  
LATCHES: BLACK CHROMATE.
- ③ DATUMS S & T TO BE ESTABLISHED BY CUSTOMER.
- ④ NO KEYING SLOT ON THIS END FOR 6, 8, 10 & 14 POSITION ASSEMBLIES.
- ⑤ NO KEYING SLOT ON THIS END FOR 6, 8 & 10 POSITION ASSEMBLIES.
- ⑥ NO STANDOFF FOR 6, 10, 14 & 16 POSITION ASSEMBLIES.



RECOMMENDED PC BOARD LAYOUT  
(VIEWED FROM CONNECTOR SIDE)

HOUSING COLOR	E	D	C	B	A	NO OF POS	PART NUMBER	
OBSOLETE	78.74 [3.100]	31	80.77 [3.180]	86.26 [3.396]	88.90 [3.500]	64	3-1761608-7	
	73.66 [2.900]	29	75.69 [2.980]	81.18 [3.196]	83.82 [3.300]	60	3-1761608-6	
	60.96 [2.400]	24	62.99 [2.480]	68.48 [2.696]	71.12 [2.800]	50	3-1761608-5	
	53.34 [2.100]	21	55.37 [2.180]	60.86 [2.396]	63.50 [2.500]	44	3-1761608-4	
	48.26 [1.900]	19	50.29 [1.980]	55.78 [2.196]	58.42 [2.300]	40	3-1761608-3	
	43.18 [1.700]	17	45.21 [1.780]	50.70 [1.996]	53.34 [2.100]	36	3-1761608-2	
	40.64 [1.600]	16	42.67 [1.680]	48.16 [1.896]	50.80 [2.000]	34	3-1761608-1	
	35.56 [1.400]	14	37.59 [1.480]	43.08 [1.696]	45.72 [1.800]	30	3-1761608-0	
	BLUE	30.48 [1.200]	12	32.51 [1.280]	38.00 [1.496]	40.64 [1.600]	26	2-1761608-9
		27.94 [1.100]	11	29.97 [1.180]	35.46 [1.396]	38.10 [1.500]	24	2-1761608-8
22.86 [0.900]		9	24.89 [0.980]	30.38 [1.196]	33.02 [1.300]	20	2-1761608-7	
17.78 [0.700]		7	19.81 [0.780]	25.30 [0.996]	27.94 [1.100]	16	2-1761608-6	
15.24 [0.600]		6	17.27 [0.680]	22.76 [0.896]	25.40 [1.000]	14	2-1761608-5	
10.16 [0.400]		4	12.19 [0.480]	17.68 [0.696]	20.32 [0.800]	10	2-1761608-3	
OBSOLETE		7.62 [0.300]	3	9.65 [0.380]	15.14 [0.596]	17.78 [0.700]	8	2-1761608-2
		5.08 [0.200]	2	7.11 [0.280]	12.60 [0.496]	15.24 [0.600]	6	2-1761608-1
		73.66 [2.900]	29	75.69 [2.980]	81.18 [3.196]	83.82 [3.300]	60	1-1761608-6
		60.96 [2.400]	24	62.99 [2.480]	68.48 [2.696]	71.12 [2.800]	50	1-1761608-5
	48.26 [1.900]	19	50.29 [1.980]	55.78 [2.196]	58.42 [2.300]	40	1-1761608-3	
	40.64 [1.600]	16	42.67 [1.680]	48.16 [1.896]	50.80 [2.000]	34	1-1761608-1	
	35.56 [1.400]	14	37.59 [1.480]	43.08 [1.696]	45.72 [1.800]	30	1-1761608-0	
	OBSOLETE	30.48 [1.200]	12	32.51 [1.280]	38.00 [1.496]	40.64 [1.600]	26	1761608-9
		27.94 [1.100]	11	29.97 [1.180]	35.46 [1.396]	38.10 [1.500]	24	1761608-8
		22.86 [0.900]	9	24.89 [0.980]	30.38 [1.196]	33.02 [1.300]	20	1761608-7
17.78 [0.700]		7	19.81 [0.780]	25.30 [0.996]	27.94 [1.100]	16	1761608-6	
15.24 [0.600]		6	17.27 [0.680]	22.76 [0.896]	25.40 [1.000]	14	1761608-5	
10.16 [0.400]		4	12.19 [0.480]	17.68 [0.696]	20.32 [0.800]	10	1761608-3	

THIS DRAWING IS A CONTROLLED DOCUMENT. **tyco** Tyco Electronics Corporation Harrisburg, PA 17105-3608

DIMENSIONS: mm [INCHES]	TOLERANCES UNLESS OTHERWISE SPECIFIED:	APPROVED: M. WALMSLEY	NAME: M. WALMSLEY
0 PLC ± -	1 PLC ± -	2 PLC ± -	3 PLC ± 0.13[.005]
4 PLC ± -	ANGLES ± -	APPLICATION SPEC	SIZE: A1
MATERIAL	FINISH	WEIGHT	CAGE CODE: 00779
			DRAWING NO: 1761608
			RESTRICTED TO: CUSTOMER DRAWING

SCALE: 4:1 SHEET 1 OF 1 REV: A1