

Distributed by:

JAMECO[®]
ELECTRONICS

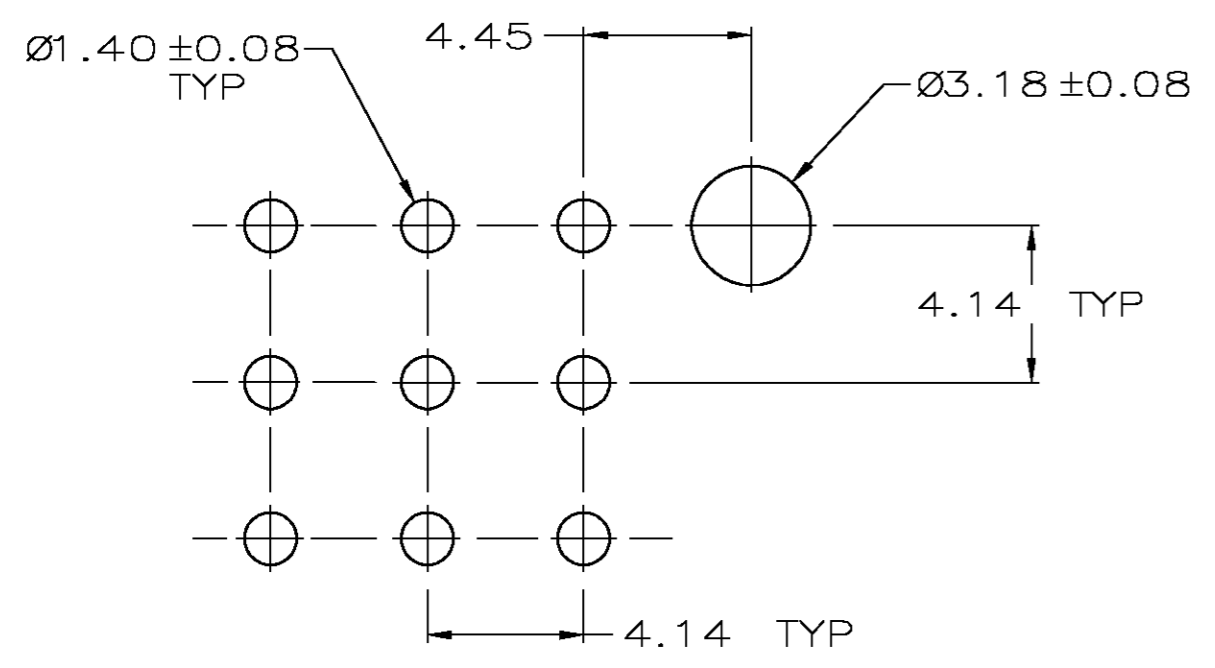
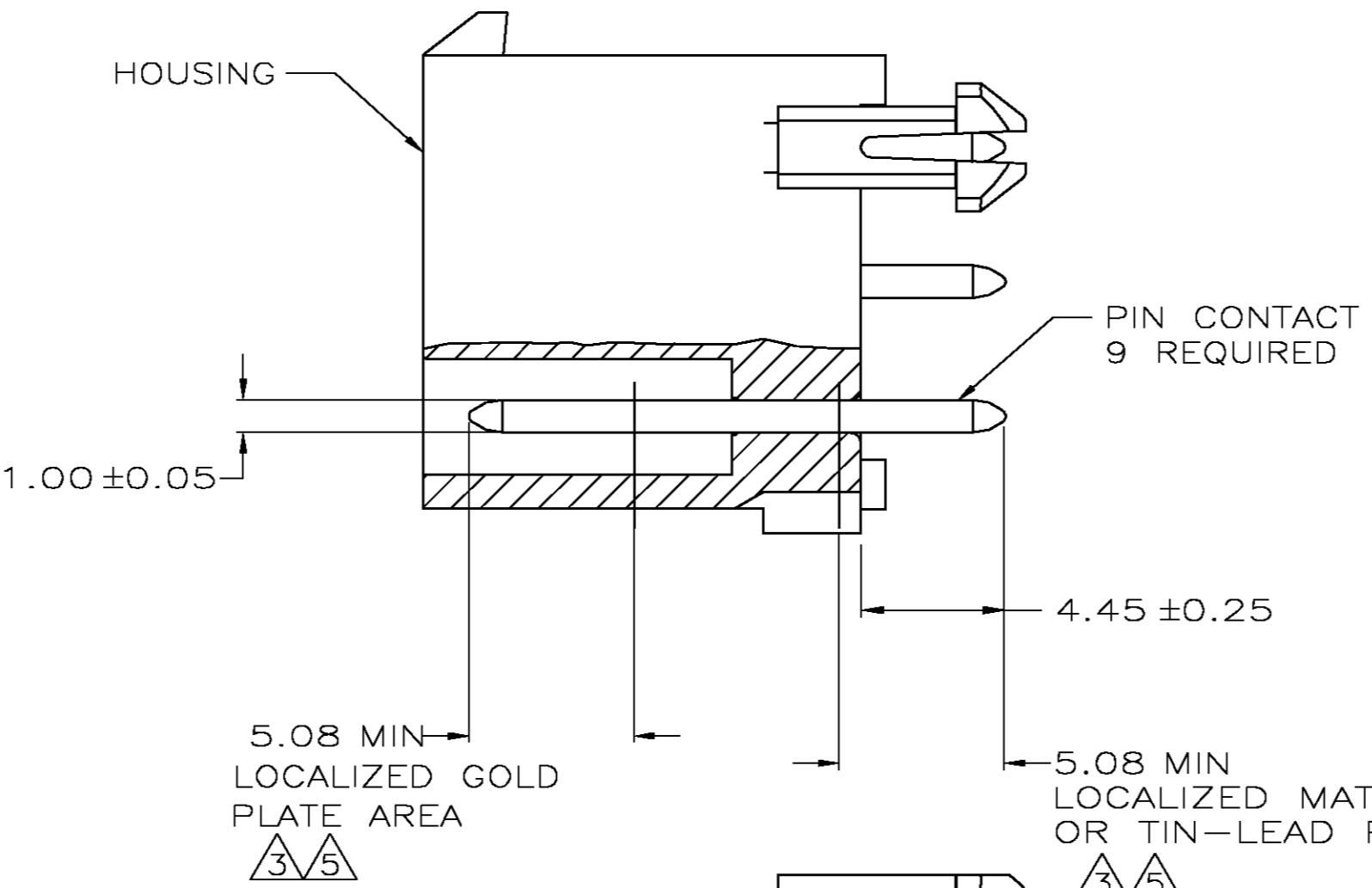
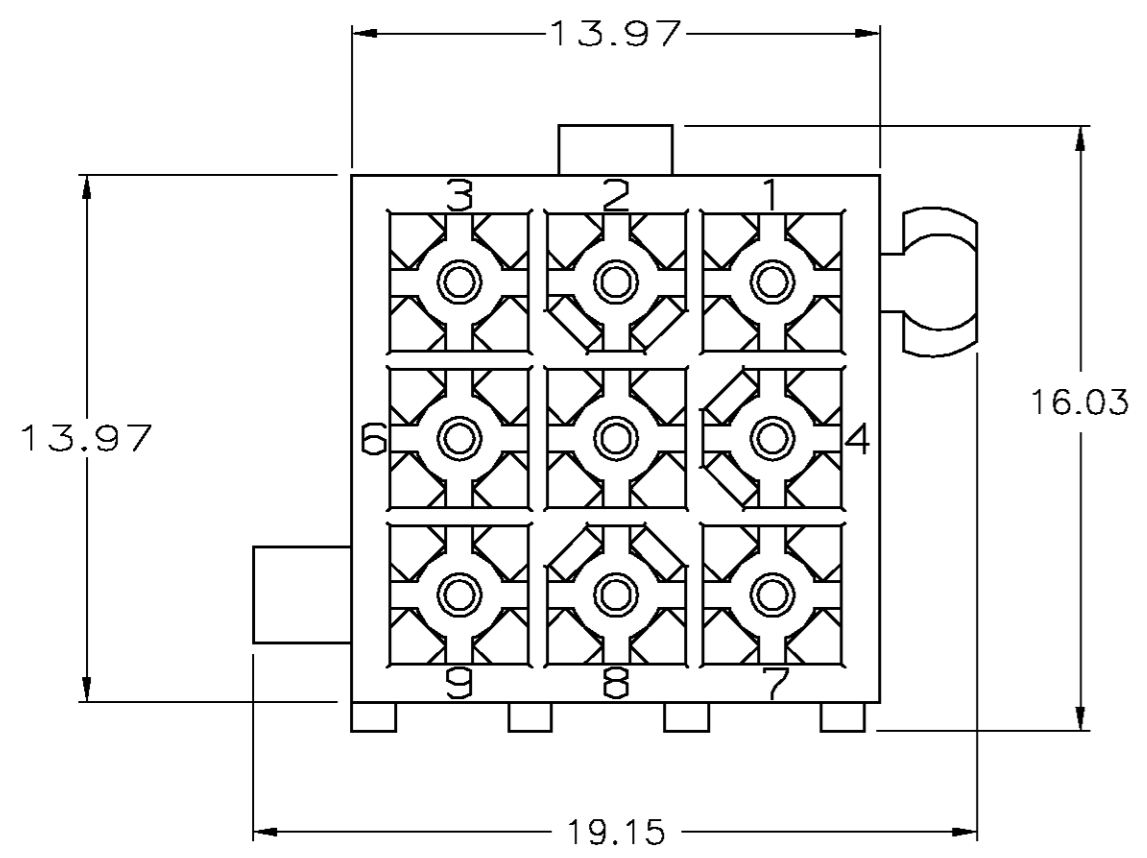
www.Jameco.com ♦ 1-800-831-4242

The content and copyrights of the attached
material are the property of its owner.

Jameco Part Number 892141

THIS DRAWING IS UNPUBLISHED. RELEASED FOR PUBLICATION
 © COPYRIGHT BY TYCO ELECTRONICS CORPORATION. ALL RIGHTS RESERVED.

LOC	DIST	REVISIONS					
CM	0	P	LTR	DESCRIPTION	DATE	DWN	APVD
		L		REVISED PER 0G3B-0211-05	6/8/05	SS	RJ



RECOMMENDED LAYOUT FOR 1.57 THICK BOARD
 TOLERANCES NON-ACCUMULATIVE

- PINS TO COMPLY WITH AMP SOLDERABILITY SPEC. 109-11-3.
- 0.00381 MIN MATTE TIN LEAD PLATE OVER 0.00127 MIN NICKEL.
- 0.00076 MIN GOLD PLATE IN THE LOCALIZED PLATE AREA, 0.00381 MATTE TIN LEAD IN THE LOCALIZED PLATE AREA, BOTH OVER 0.00127 MIN NICKEL.
- 0.00381 MIN MATTE TIN PLATE OVER 0.00127 MIN NICKEL.
- 0.00076 MIN GOLD PLATE IN THE LOCALIZED PLATE AREA, 0.00381 MATTE TIN IN THE LOCALIZED PLATE AREA, BOTH OVER 0.00127 MIN NICKEL.

BRASS, GOLD	5	NYLON, UL94V-0	WHITE	1-770182-1
BRASS, TIN	4	NYLON, UL94V-0	WHITE	1-770182-0
BRASS, GOLD	3	NYLON, UL94V-0	WHITE	770182-2
BRASS, TIN-LEAD	2	NYLON, UL94V-0	WHITE	770182-1
MATERIAL	FINISH	MATERIAL	COLOR	PART NO.

THIS DRAWING IS A CONTROLLED DOCUMENT.		DWN S CARPENTER 28JUL2003	OBJUN05	Tyco Electronics Corporation Harrisburg, Pa 17105-3608	
DIMENSIONS: mm		CHK R JONES	28JUL2003	NAME R JONES	
TOLERANCES UNLESS OTHERWISE SPECIFIED:		APVD R JONES	28JUL2003	PRODUCT SPEC	
0 PLC ± -		APPLICATION SPEC		SIZE	
1 PLC ± -		WEIGHT		CAGE CODE	
2 PLC ± 0.13		CUSTOMER DRAWING		DRAWING NO	
3 PLC ± -		SCALE 5:1		SHEET 1 OF 1	
4 PLC ± -		SHEET		REV	
ANGLES ± -		RESTRICTED TO		L	
FINISH		SCALE		REV	